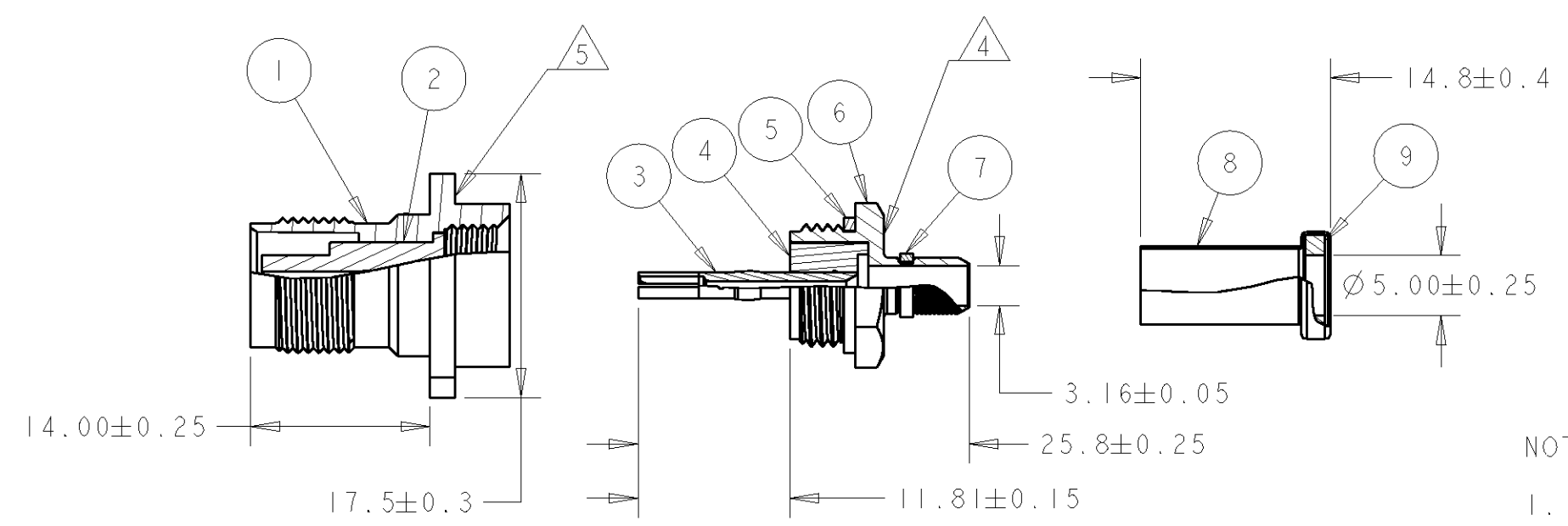


THIS DRAWING IS UNPUBLISHED. RELEASED FOR PUBLICATION 20
 © COPYRIGHT 20 BY TYCO ELECTRONICS CORPORATION. ALL RIGHTS RESERVED.

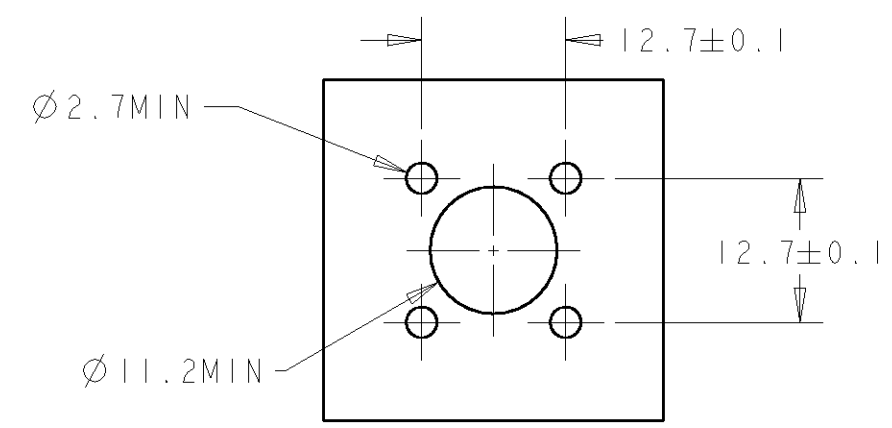
LOC	DIST	REVISIONS					
		P	LTR	DESCRIPTION	DATE	DWN	APVD
B	E		B	ECR-08-0206801	22/10/08	MJG	JA



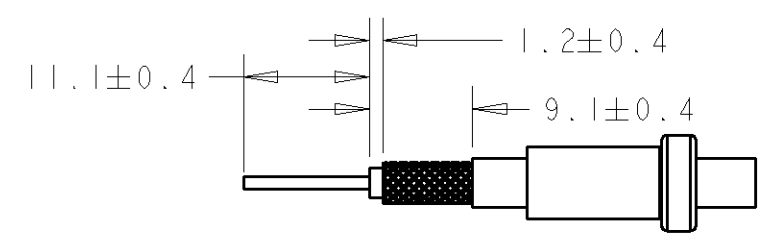
NOTES:

- 1. FOR USE WITH RG400U, KX23 CABLE
- 2. CRIMP WITH HAND TOOL Pt No 69710-1 + INSET 69814
- 3. INSTRUCTION SHEET 408-2299-4
- △4 PART NO 131228-2 MARKED ON THIS SURFACE
- △5 FOUR HOLES 3-56 UNF 2B

RECOMMENDED PANEL CUT OUT



	I		SILICONE	GASKET	9
	I	ELECTROPLATE Ag	COPPER	SHELL	8
	I		SILICONE	GASKET	7
	I	ELECTROPLATE Ag	BRASS	SHELL	6
	I		SILICONE	GASKET	5
	I		PTFE	DIELECTRIC	4
	I	ELECTROPLATE Au	BeCu	CONTACT	3
	I		PTFE	DIELECTRIC	2
	I	ELECTROPLATE Ag	BRASS	BODY	1
131241	QTY-1	FINISH	MATERIAL	DESCRIPTION	ITEM



RECOMMENDED CABLE PREPARATION

THIS DRAWING IS A CONTROLLED DOCUMENT FOR TYCO ELECTRONICS CORPORATION
 IT IS SUBJECT TO CHANGE AND THE CONTROLLING ENGINEERING ORGANIZATION
 SHOULD BE CONTACTED FOR THE LATEST REVISION.

DIMENSIONS:		TOLERANCES UNLESS OTHERWISE SPECIFIED:	
mm			
0 PLC	±0.5		
1 PLC	±0.5		
2 PLC	±0.5		
3 PLC	±0.5		
4 PLC	±0.5		
ANGLES	±0.5		
FINISH	-		
MATERIAL	SEE TABLE		

DWN	22OCT2008
M.GREENER	
CHK	22OCT2008
J.AMBROSE	
APVD	22OCT2008
J.AMBROSE	
PRODUCT SPEC	-
APPLICATION SPEC	-
WEIGHT	-
CUSTOMER DRAWING	

Tyco Electronics UK Ltd. Bideford, North Devon, EX39 4HE	
NAME	
PANEL JACK TNC ASSEMBLY TYPE E, KX 23 CABLE	
SIZE	CAGE CODE
A3	00779
DRAWING NO	RESTRICTED TO
©-131241	-
SCALE	SHEET
NTS	1 OF 1
REV	B