

## Temperature sensors AS Part number 89750153



- Integrated converter : 0-10 V output for direct connection to the Millennium 3 analogue inputs

### Part numbers

|          | Type | Description              | Range         | Accuracy        | Supply  | Protection casing | Protection probe |
|----------|------|--------------------------|---------------|-----------------|---------|-------------------|------------------|
| 89750153 | AS   | Remote/submersible probe | -10 → +150 °C | -0.2 °C +1.2 °C | 24 V DC | IP65              | IP67             |

### Specifications

#### Environmental characteristics

|                     |                    |
|---------------------|--------------------|
| Ambient temperature | -10 → +60 °C       |
| Ambient humidity    | 5 → 95 % RH        |
| Housing material    | Self-extinguishing |

#### Electrical characteristics

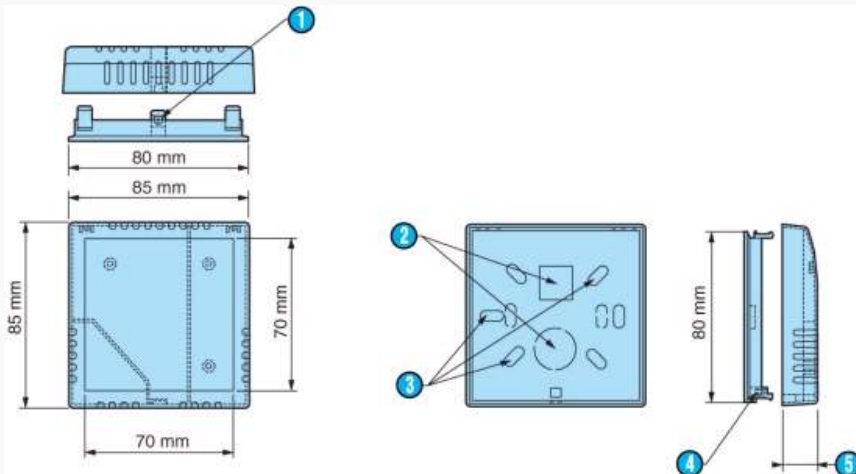
|                                 |                          |
|---------------------------------|--------------------------|
| Supply voltage                  | 24 V DC (± 10 %)         |
| Output                          | 0 → 10 V DC              |
| Drift Temperature (%/ °C)       | 0.01 %/ °C of full scale |
| Temperature coefficients Offset | 1,5 mV / °C              |

### Accessories

| Accessories                           | Operating temperature | Operating pressure | Code     |
|---------------------------------------|-----------------------|--------------------|----------|
| Copper protective sleeve              | -20 → +100 °C         | 10 bar             | 89750146 |
| 316 stainless steel protective sleeve | -20 → +400 °C         | 16 bar             | 89750147 |

### Dimensions (mm)

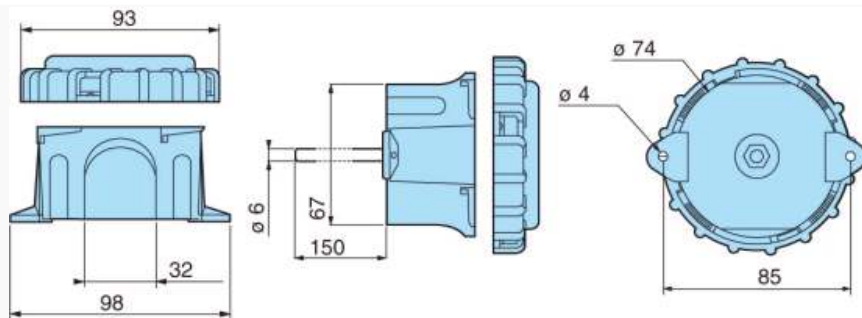
#### 89750150



| N° | Legend                          |
|----|---------------------------------|
| 1  | Ø3 mm for M3 x 8 screw          |
| 2  | Cut-outs made prior to delivery |
| 3  | Fixing holes                    |
| 4  | Indentation for M3 square nut   |
| 5  | Total depth 26 mm               |

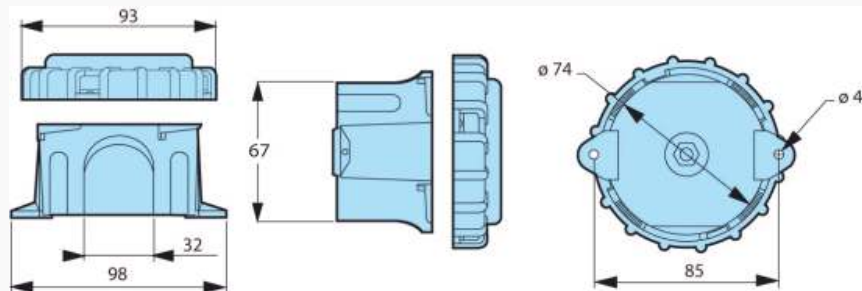
### Dimensions (mm)

#### 89750151



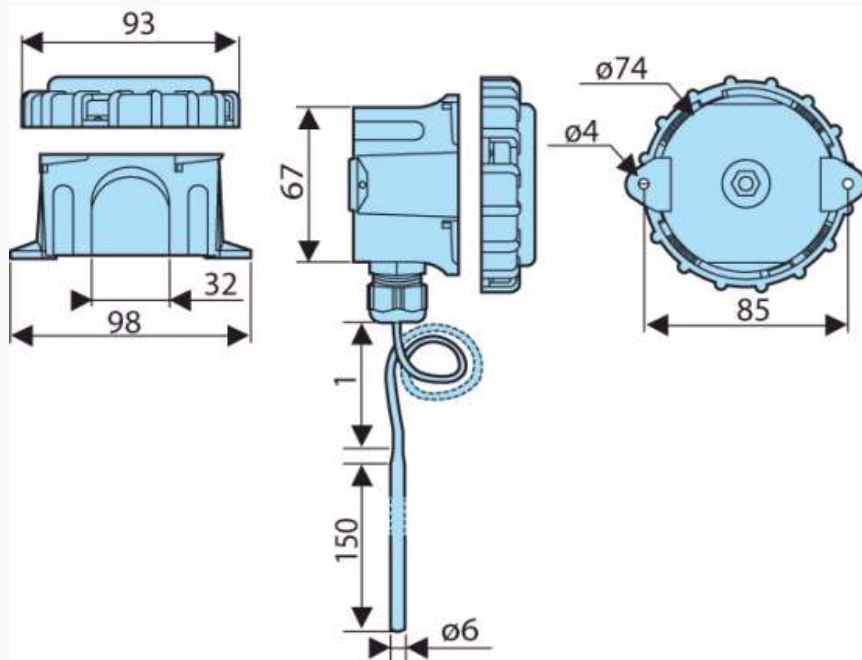
**Dimensions (mm)**

89750152



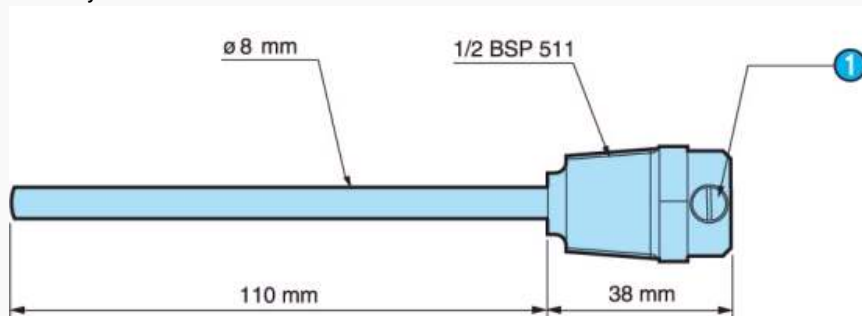
**Dimensions (mm)**

89750153 and 89750155



**Dimensions (mm)**

Accessory 89750147 for 89750153 and 89750155



| N° | Legend |
|----|--------|
|----|--------|



M4 screw