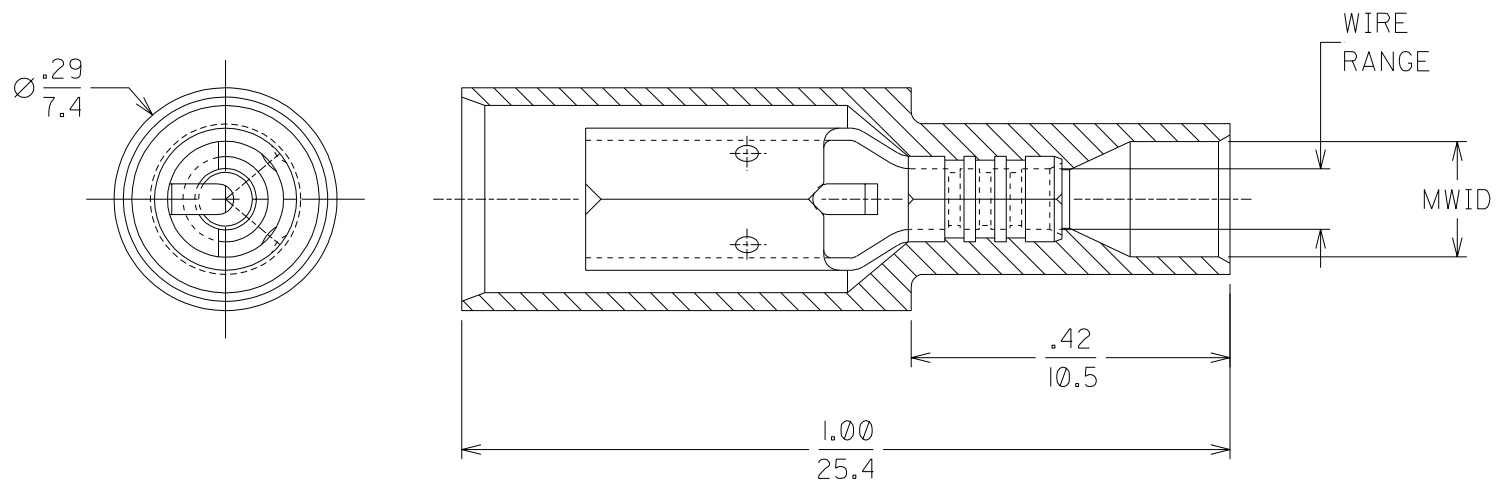


PART NUMBER	WIRE RANGE AWG	MM <sup>2</sup>	INSULATION COLOR	MWID	FITS MALE PLUG DIA.
BRA-2156NDK	22-18	0.25-1.3	DARK RED	.128/(3.25)	.156/(3.96)
BRA-2180N	22-18	0.25-1.3	LIGHT RED	.128/(3.25)	.180/(4.57)
BRB-2156NDK	16-14	1.0-2.6	DARK BLUE	.150/(3.81)	.156/(3.96)
BRB-2180N	16-14	1.0-2.6	LIGHT BLUE	.150/(3.81)	.180/(4.57)

DRWG. NO. C05338-42

MWID = MAXIMUM WIRE INSULATION DIAMETER



CUSTOMER DRAWING

NOTES:  
 RECEPTACLE MATERIAL: .016/(0.41) THK BRASS  
 RECEPTACLE FINISH: TIN PLATING  
 INSULATION MATERIAL: NYLON

A	NEW DRAWING RELEASE ETC70890 7/7 DAY
LTR.	REVISIONS

DIMENSIONS SHOWN (METRIC) INCH	
UNLESS OTHERWISE SPECIFIED TOLERANCES: ANGULAR ± 1/2°	
	INCH      METRIC
3 PLACE	± .005    ± ---
2 PLACE	± .01     ± 0.13
1 PLACE	± ---    ± 0.25
DRAFT WHERE APPLICABLE MUST REMAIN WITHIN DIMENSIONS	
DRWG. BY DAY	CHK'D. BY RWD
APP'D. BY RWD	SCALE 5:1

REVISE ONLY ON CAD SYSTEM			
TITLE FULLY INSULATED INSULKRIMP FEMALE BULLET RECEPTACLE CUSTOMER DRAWING			
molex ETC INC. PINELLAS PARK, FLA. 33781 U.S.A.		SHEET NO.	DATE 97/7/7
PART NO. SEE CHART		DRWG. NO. C05338-42	
FILE NAME C0533842.DGN	THIS DRAWING CONTAINS INFORMATION THAT IS PROPRIETARY TO MOLEX-ETC INC. AND SHOULD NOT BE USED WITHOUT WRITTEN PERMISSION.		DIV.    SIZE A