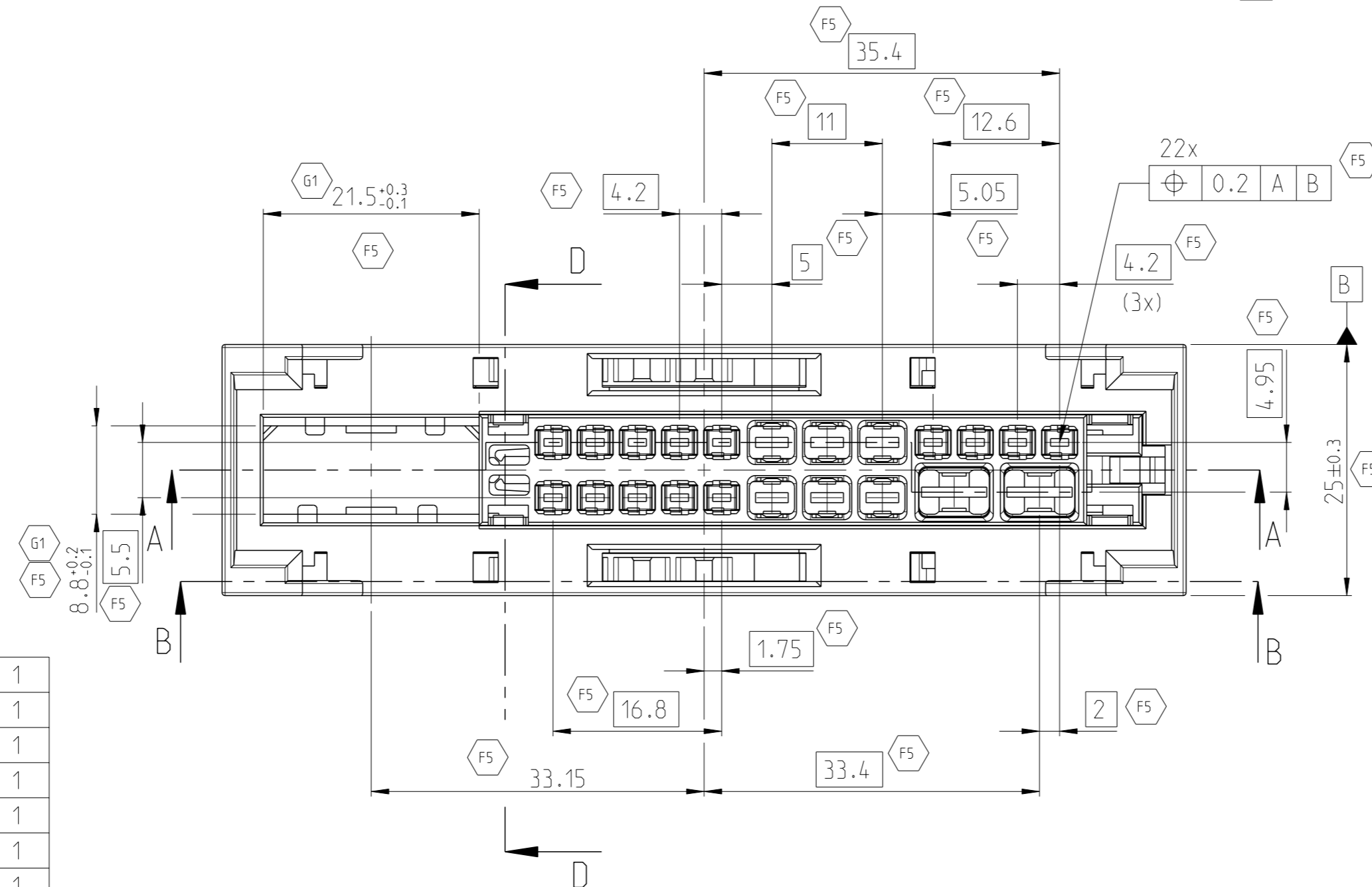
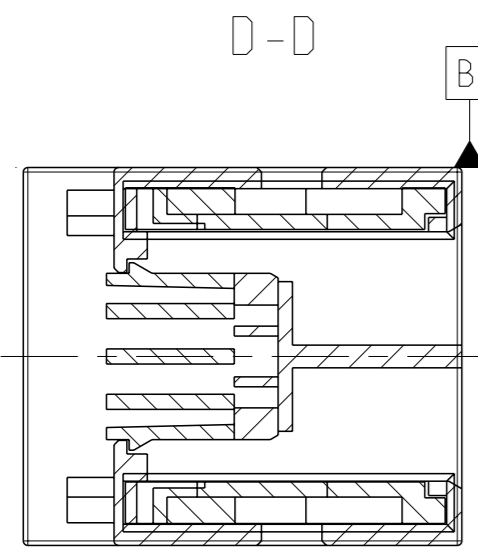
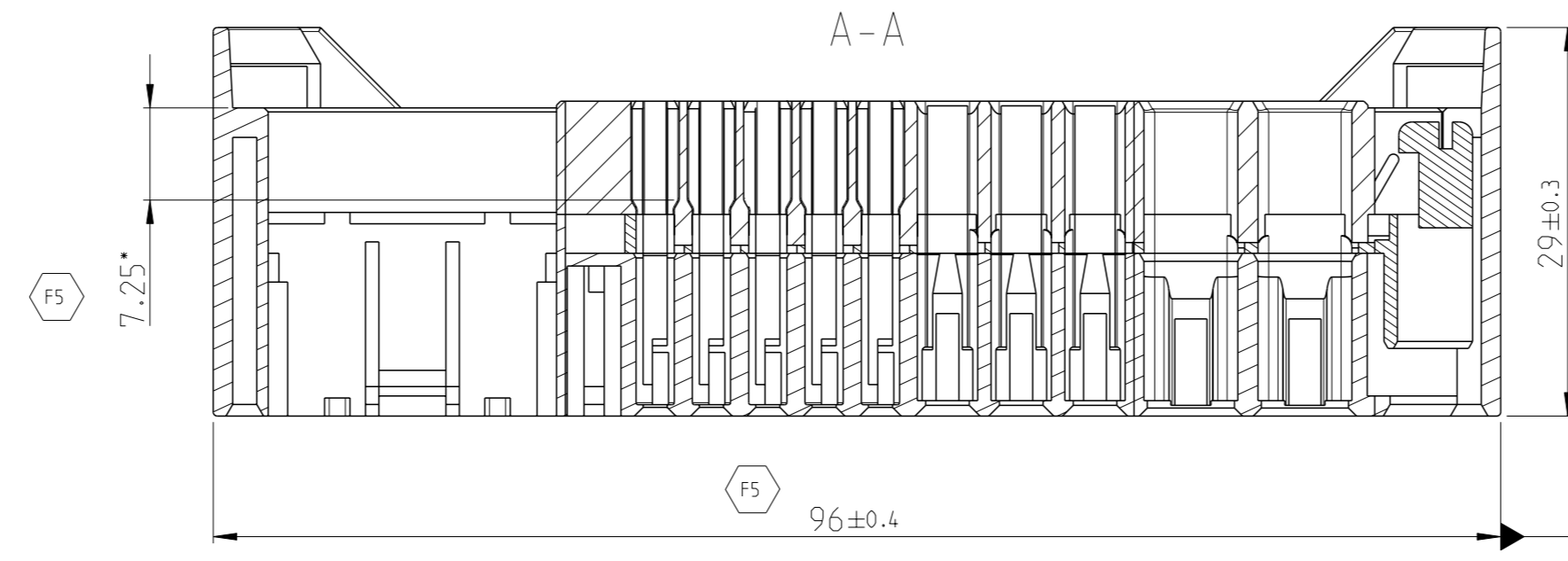
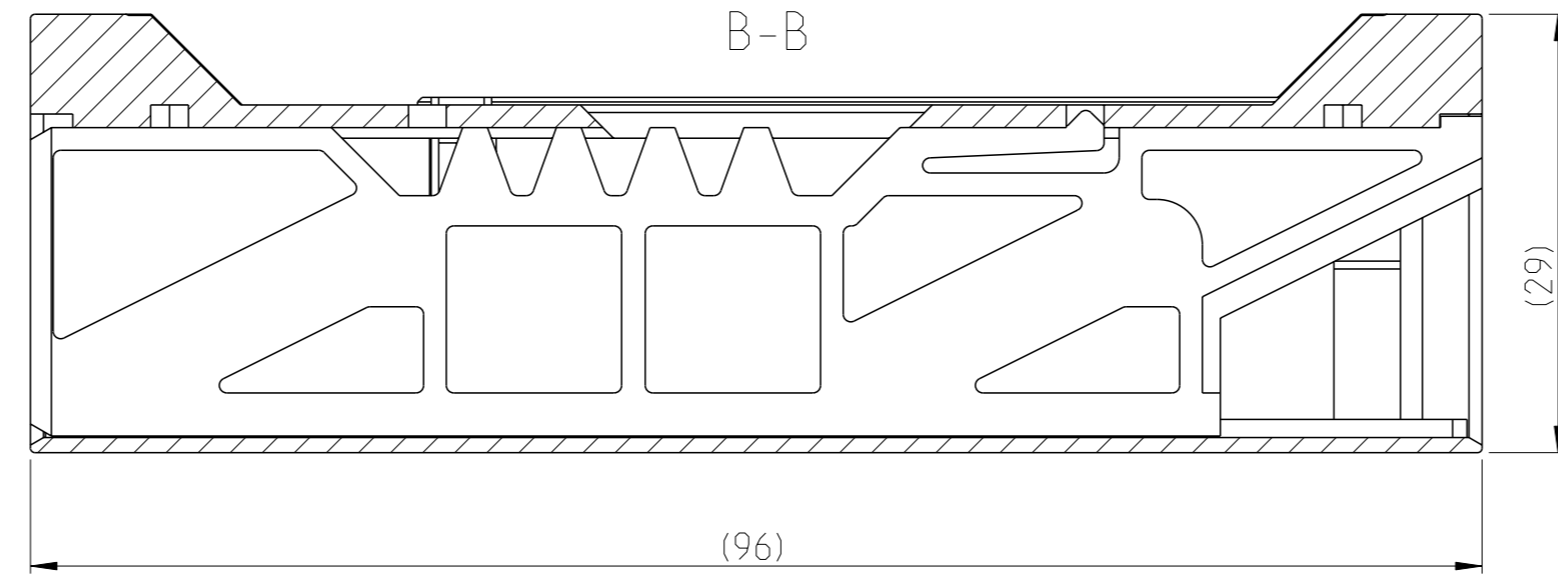
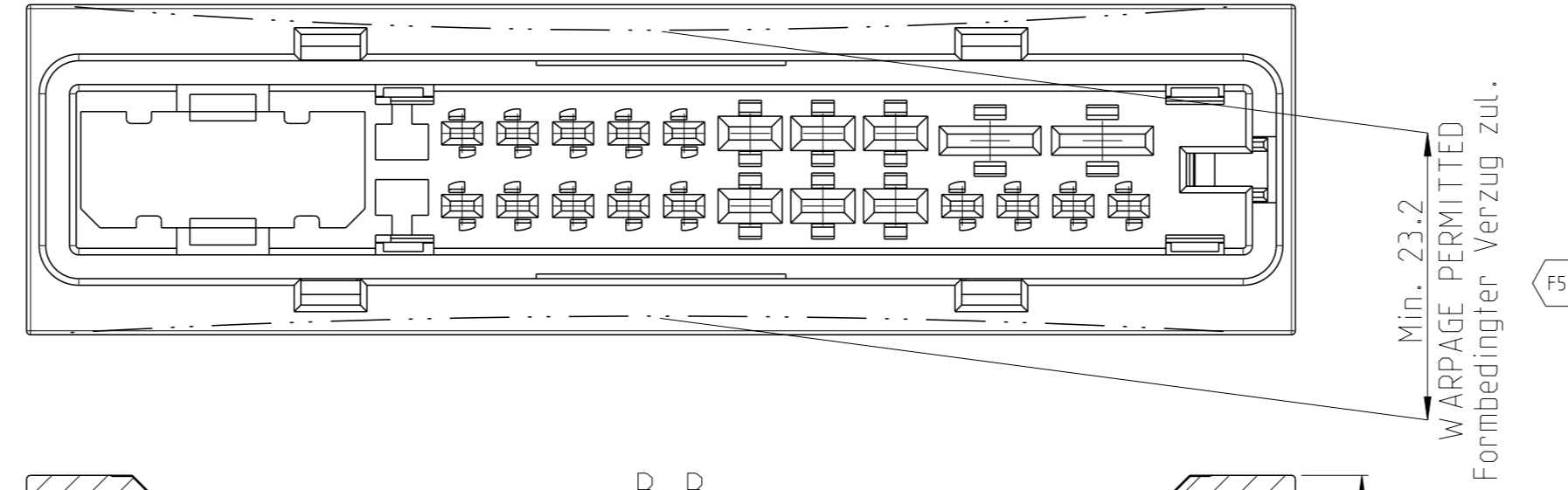
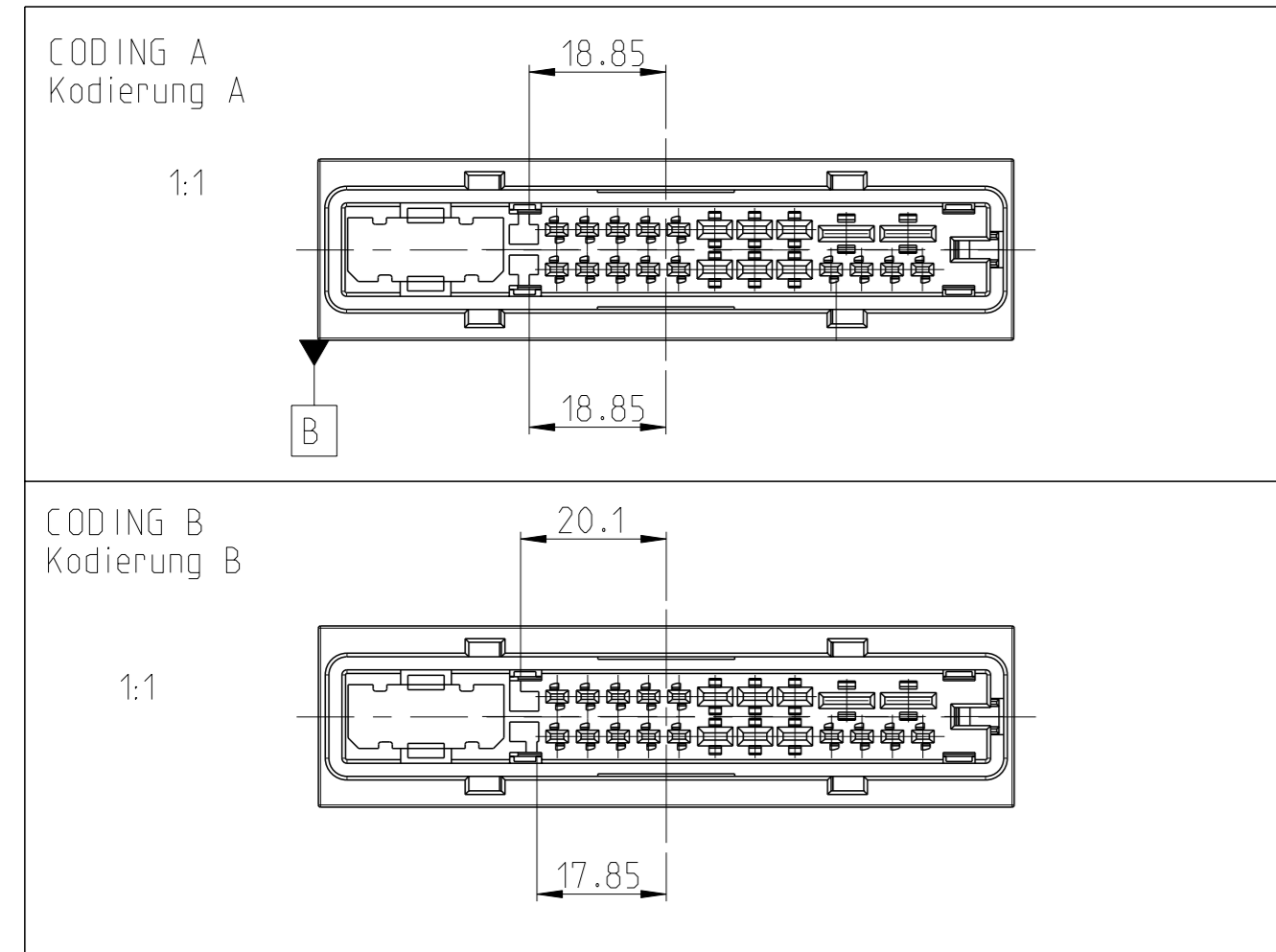
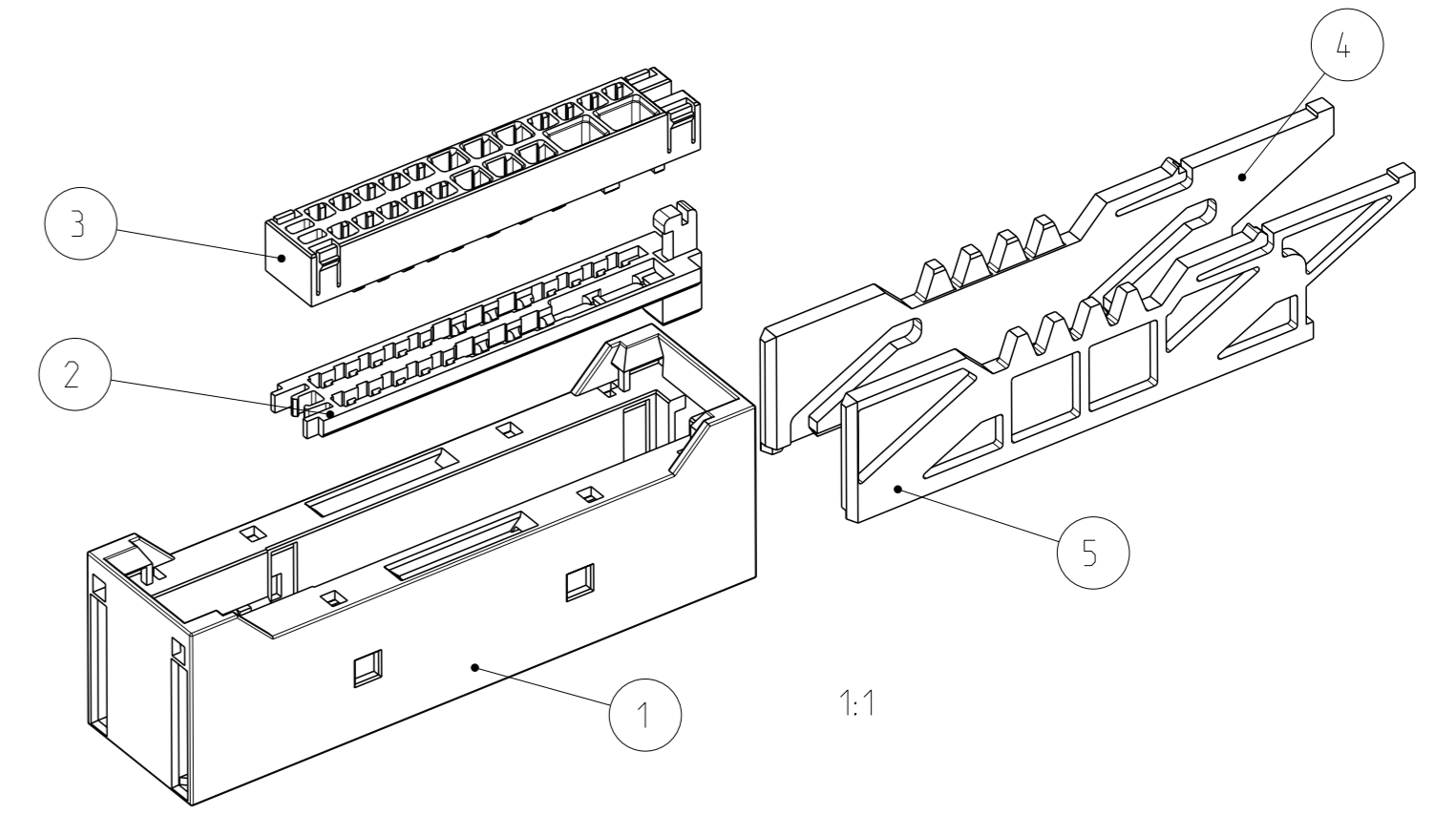


IN CONSEQUENCE OF INCIDENCE / DISTORTION  
IS PERMITTED IN THIS RANGE  
Bedingt durch Einfall / Verzug  
in diesem Bereich zulaessig

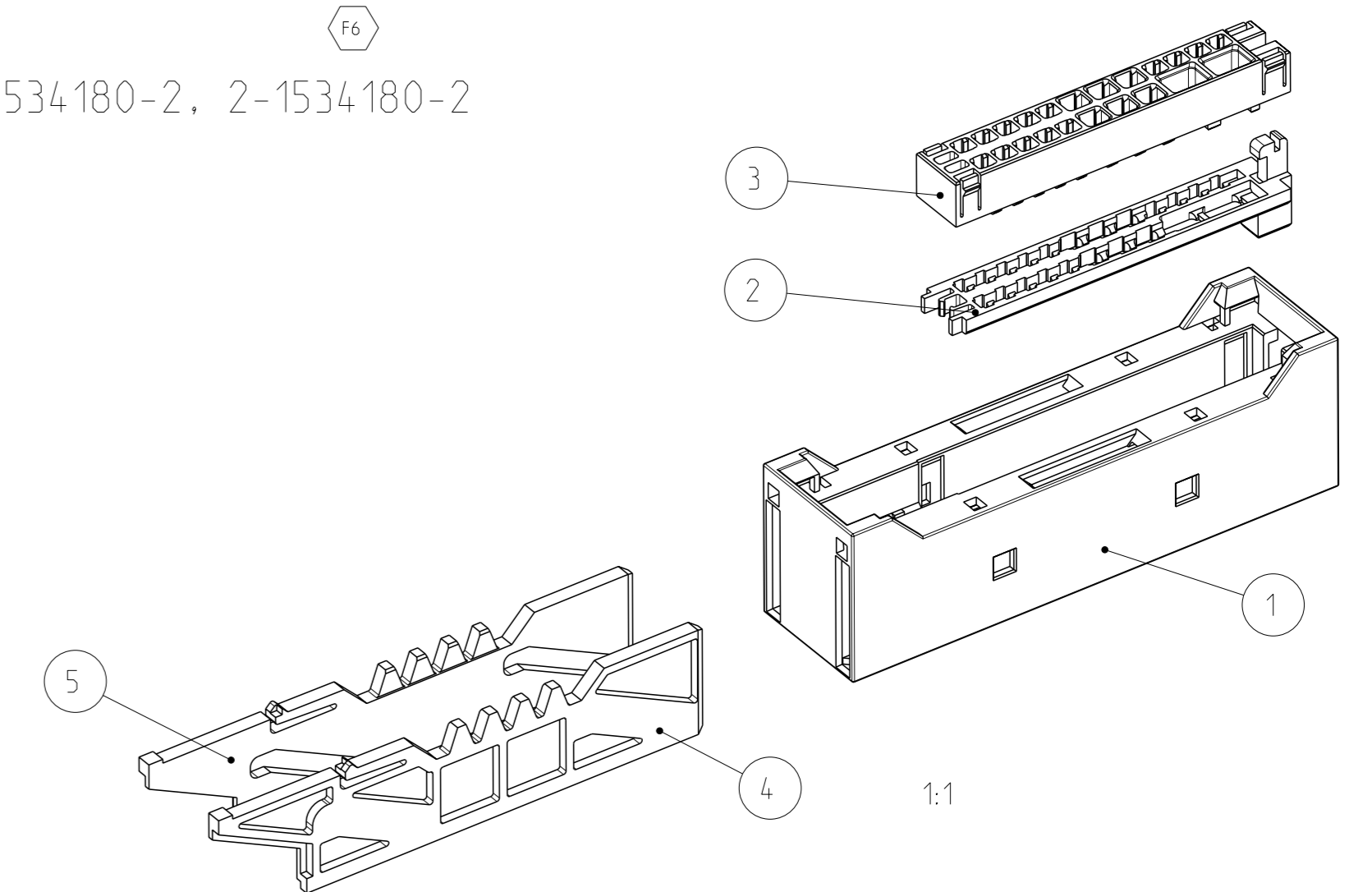
REVISIONS					
F	CLM	DESCRIPTION	DATE	OWN	APVD
F4		Add new version 2-1534180-1	29JUL2011	GB	SzG
F5		ECR-15-001938	13FEB2015	JB,JH	GB
F6		Add new version 2-1534180-2	19NOV2015	JB,JH	GB
G1		Material replacement of Slides,Retainer, H.plate	03MAY2021	GB	SzG



1534180-1, 2-1534180-1



1534180-2, 2-1534180-2



- PACKAGING: INTERLAYER PACKAGING IN CORRUGATED BOX  
Verpackung: Lagenweise im Karton
- SUITABLE TAB HEADER 1534531  
Passende Stiftsteiste 1534531
- SUITABLE CONTACTS / Passende Kontakte  
MCP 1.5: 1241372, 1241374, 1534334  
MCP 2.8: 1241386, 1241388, 1241390  
MCP 4.8: 1241400, 1241402, 1241404, 1241406  
MQS 0.63: 928999, 963715
- FORM CONDITIONED DELAY OF  $\pm 0.3$  ADMISSIBLE  
Formbedingter Verzug zul.  $\pm 0.3$

ITEM Nr.	Rev.	Cod.	PART-NO. Teil-Nr.	Material	COLOUR Farbe	DISCRIPTION Benennung	QTY. St.
2-1534180-2	B	B	1534179-1	PBT-GF30	BLACK / schwarz	SLIDE LEFT / Schieber, links	1
			1534178-1	PBT-GF30	BLACK / schwarz	SLIDE RIGHT / Schieber, rechts	1
			1534052-1	PA6-GF15	BLACK / schwarz	HOLDER-PLATE / Halteplatte	1
			1534051-1	PA6-GF30	VIOLET / violett	RETAINER / Halter	1
			2-1534050-2	PBT+ASA-GF20	WHITE / weiß	CARRIER HSG. / Traeger haeuse	1
2-1534180-1	B	B	1534179-1	PBT-GF30	BLACK / schwarz	SLIDE LEFT / Schieber, links	1
			1534178-1	PBT-GF30	BLACK / schwarz	SLIDE RIGHT / Schieber, rechts	1
			1534052-1	PA6-GF15	BLACK / schwarz	HOLDER-PLATE / Halteplatte	1
			1534051-1	PA6-GF30	VIOLET / violett	RETAINER / Halter	1
			2-1534050-1	PBT+ASA-GF20	WHITE / weiß	CARRIER HSG. / Traeger haeuse	1
1534180-2	C	A	1534179-1	PBT-GF30	BLACK / schwarz	SLIDE LEFT / Schieber, links	1
			1534178-1	PBT-GF30	BLACK / schwarz	SLIDE RIGHT / Schieber, rechts	1
			1534052-1	PA6-GF15	BLACK / schwarz	HOLDER-PLATE / Halteplatte	1
			1534051-1	PA6-GF30	VIOLET / violett	RETAINER / Halter	1
			1534050-2	PBT+ASA-GF20	BLACK / schwarz	CARRIER HSG. / Traeger haeuse	1
1534180-1	F	A	1534179-1	PBT-GF30	BLACK / schwarz	SLIDE LEFT / Schieber, links	1
			1534178-1	PBT-GF30	BLACK / schwarz	SLIDE RIGHT / Schieber, rechts	1
			1534052-1	PA6-GF15	BLACK / schwarz	HOLDER-PLATE / Halteplatte	1
			1534051-1	PA6-GF30	VIOLET / violett	RETAINER / Halter	1
			1534050-1	PBT+ASA-GF20	BLACK / schwarz	CARRIER HSG. / Traeger haeuse	1

ORDER-NO. Bestell-Nr.	ITEM Nr.	Rev.	Cod.	PART-NO. Teil-Nr.	Material	COLOUR Farbe	DISCRIPTION Benennung	QTY. St.

PRODUCT CHARACTERISTICS ACC. QMP EMEA_12 BESONDERE MERKMALE NACH QMP EMEA_12 <small>TOLERANCES UNLESS OTHERWISE SPECIFIED ACC. TO DIN 16901-140. CENTRIC TO NOMINAL DIMENSION. EDITION 1982-11. FREIHALFTOLERANZEN NACH DIN 16901-140. ES GILT DIE AUSGABE 1982-11.</small>		THIS DRAWING IS A CONTROLLED DOCUMENT. <small>DIMENSIONING AND TOLERANCING PER GPS (ISO STANDARDS)</small>		DWN R. Dierkes 04MAR2004 CHK B. Leonhardt 09MAR2004	TE Connectivity
DIMENSIONS: mm 		TOLERANCES UNLESS OTHERWISE SPECIFIED: 0 PLC ± 1 PLC ± 2 PLC ± 3 PLC ± 4 PLC ± ANGLES ° ±		APVD - PRODUCT SPEC 108-18950 APPLICATION SPEC 114-18619-001 WEIGHT - Customer Drawing	NAME - REC. HOUSING 32POS. MCP. SUB-ASSY. Buchsengehaeuse 32pol. MCP. ZSB
ORDER-NO. 00779 SCALE 2:1		SHEET 1 OF 1		REV G1	