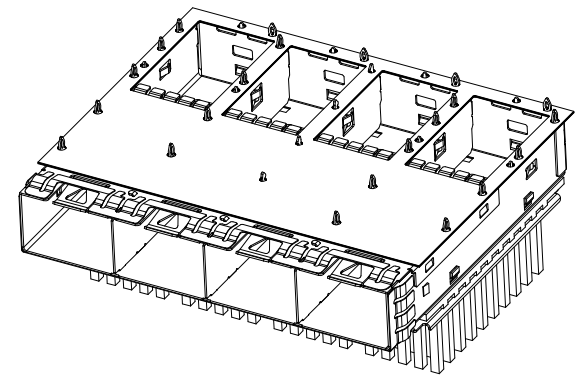
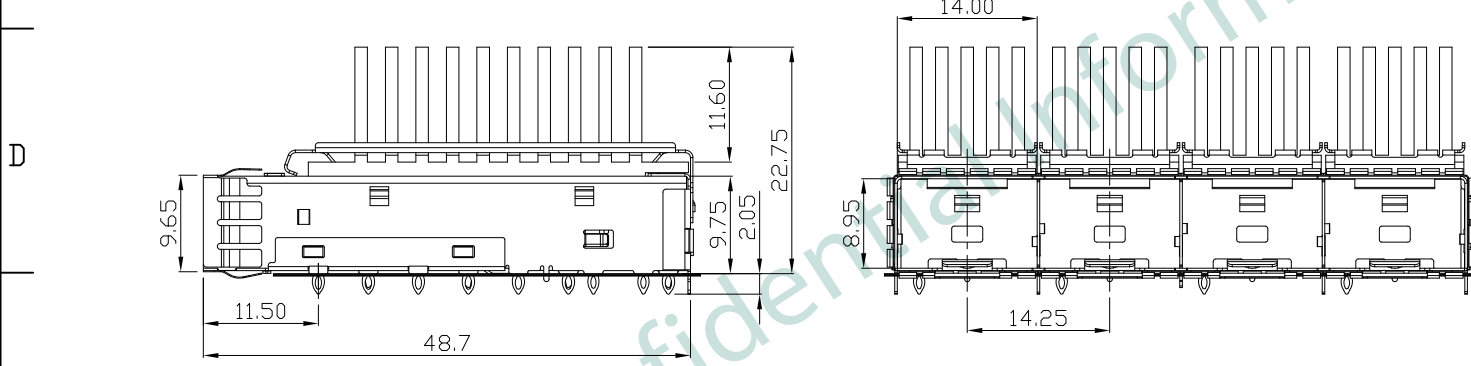
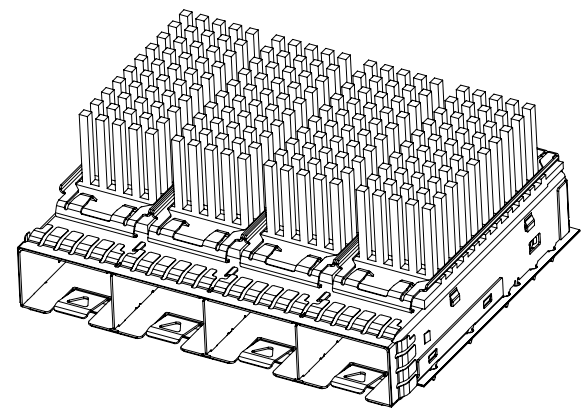
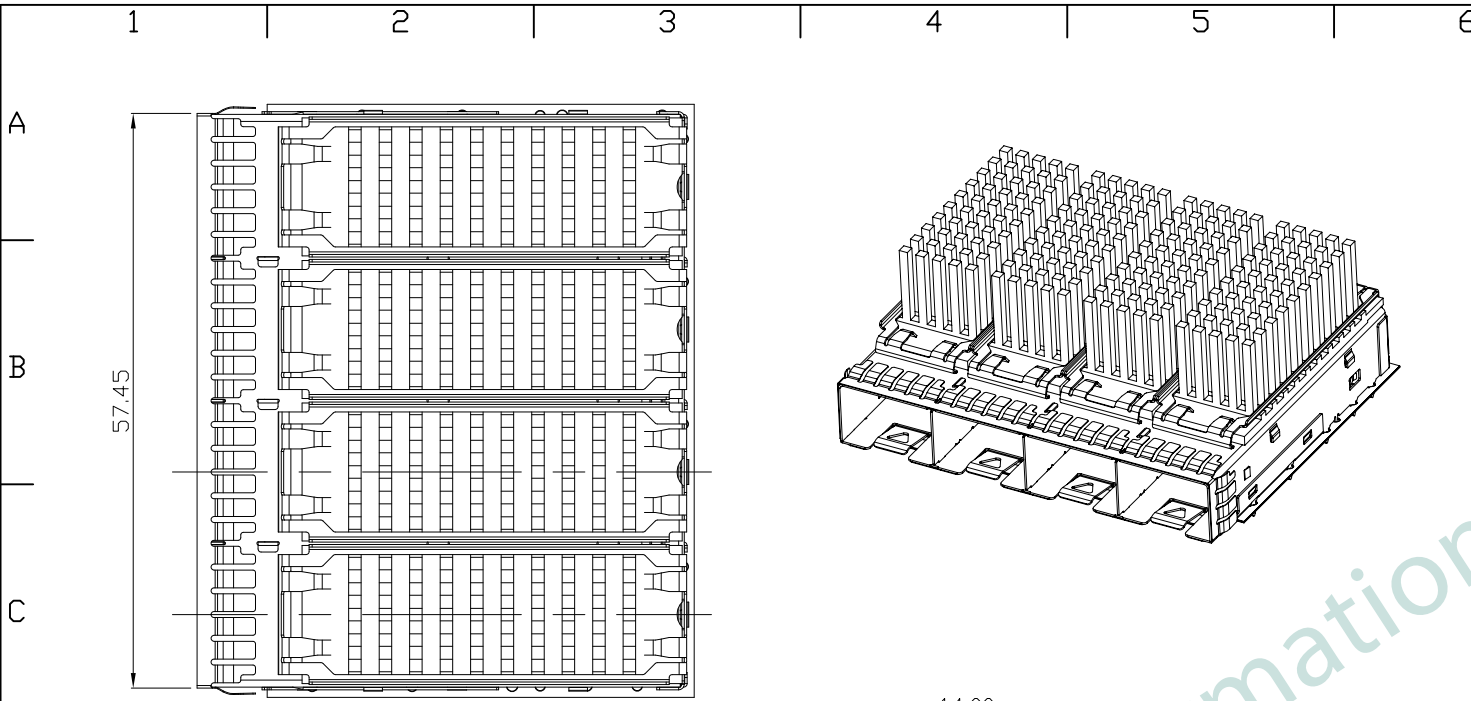


REV.	DATE	DESCRIPTION
01	Mar. 13, '19	1st RELEASE

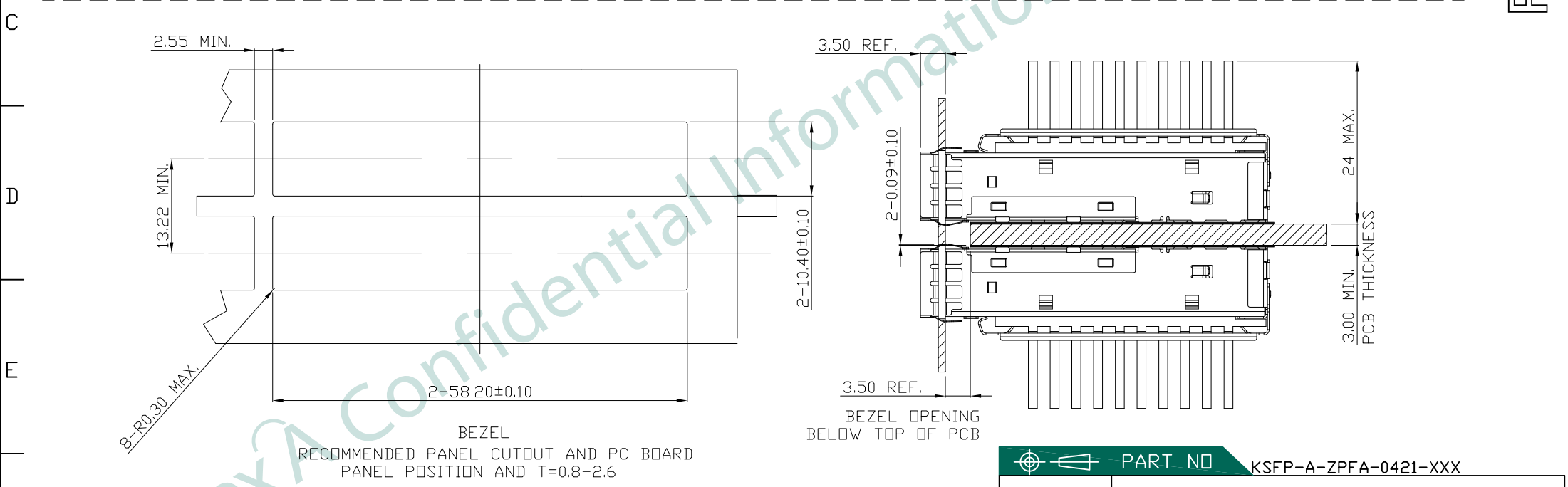
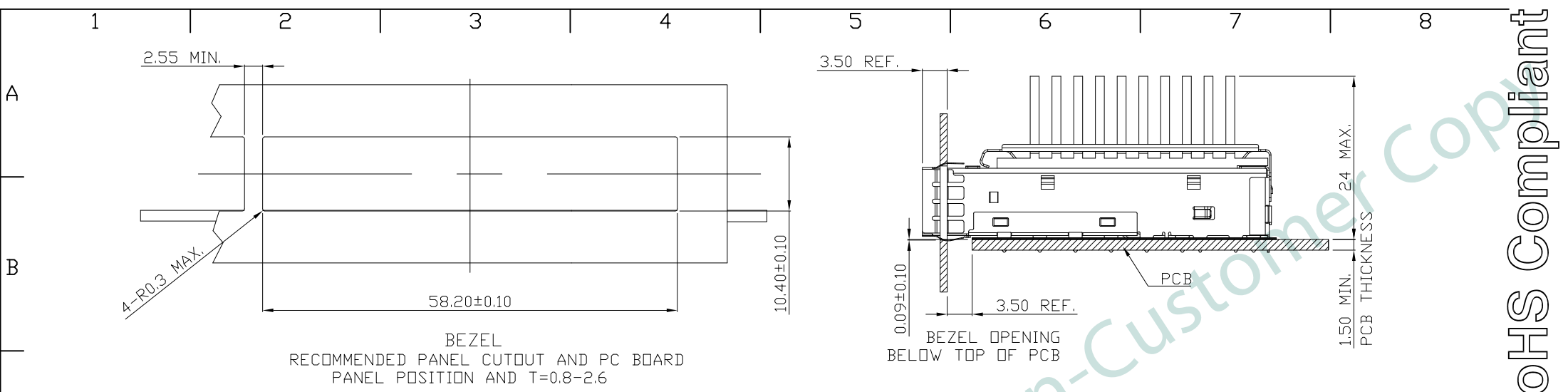
- NOTES:  
MATERIAL  
1. CAGE: COPPER ALLOY  
2. FRONT EMI SPRING FINGERS: COPPER ALLOY  
3. HEAT SINK: ALUMINUM\_BLACK  
4. CLIP: STAINLESS STEEL  
5. BELLY PCB GASKETS: COATED POLYIMIDE  
6. UNSPECIFIED TOLERANCE: .XXX ±0.15  
  .XX ±0.25  
  .X ±0.35



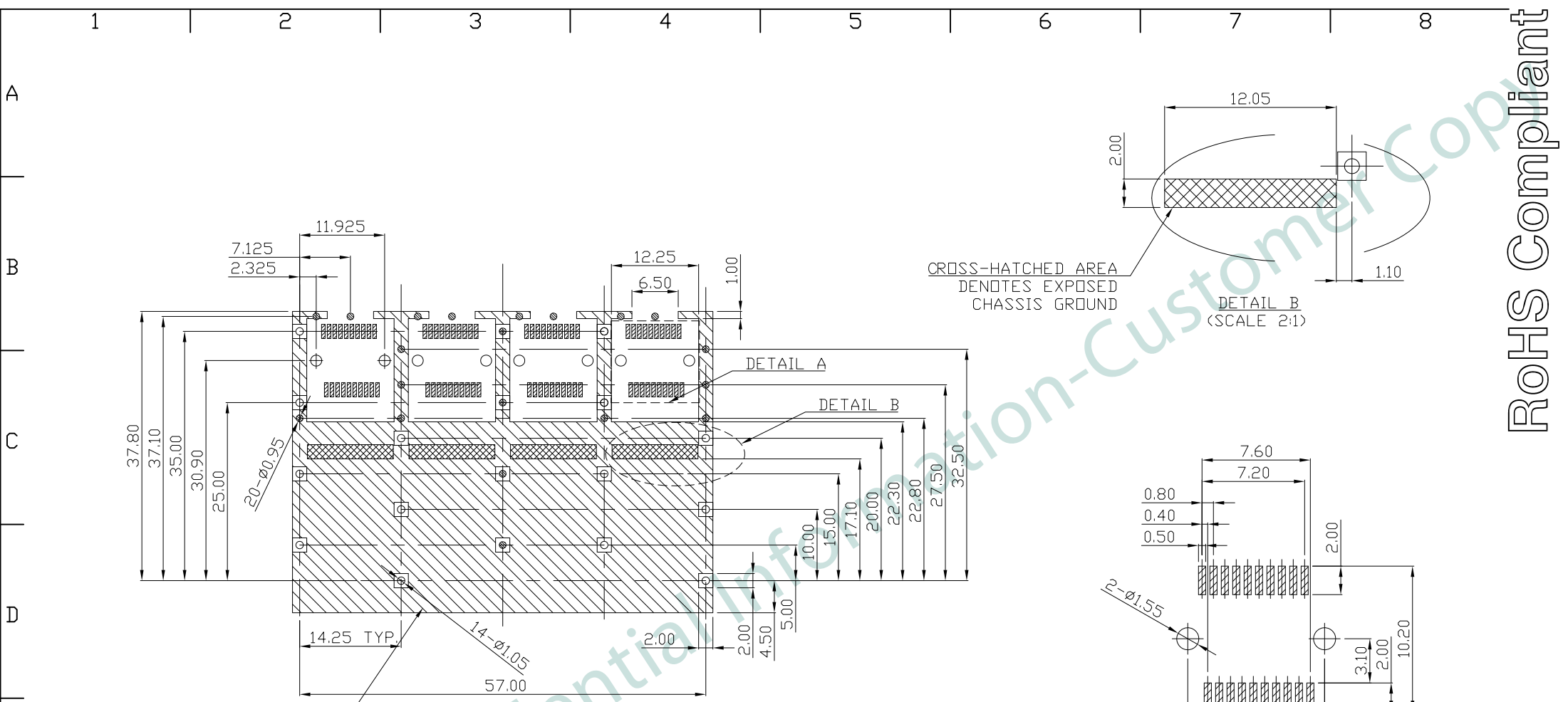
KSFP-A-ZPFA-0421-XXX

PRODUCT A: CAGE  
CATEGORY Z: SFP 28  
TERMINAL TYPE PF: PRESS FIT  
EMI TYPE A: EMI TAB  
CUSTOMER CODE  
SERIAL NUMBER  
OPTION 2: HEAT SINK  
NUMBER OF PORT

PART NO		KSFP-A-ZPFA-0421-XXX		
TITLE	SFP 28 1X4 CAGE, EMI TAB, HEAT SINK, PRESS FIT TYPE			
REV : 01				
UNIT	DRAWN	CHKD	DATE	SHEET
mm[inch]	CINDY	VINCENT	Mar. 13, '19	1 of 5



PART NO		KSFP-A-ZPFA-0421-XXX		
TITLE	SFP 28 1X4 CAGE, EMI TAB, HEAT SINK, PRESS FIT TYPE			
REV : 01				
UNIT	DRAWN	CHKD	DATE	SHEET
mm[inch]	CINDY	VINCENT	Mar. 13, '19	2 of 5



CROSS-HATCHED AREA DENOTES COMPONENT AND TRACE KEEP-OUT

RECOMMENDED PCB LAYOUT (COMPONENT SIDE)  
 RECOMMENDED MINIMUM PCB T=1.50mm  
 (ALL TOLERANCES ARE ±0.05)  
 "□ ■ ●" THROUGH HOLD

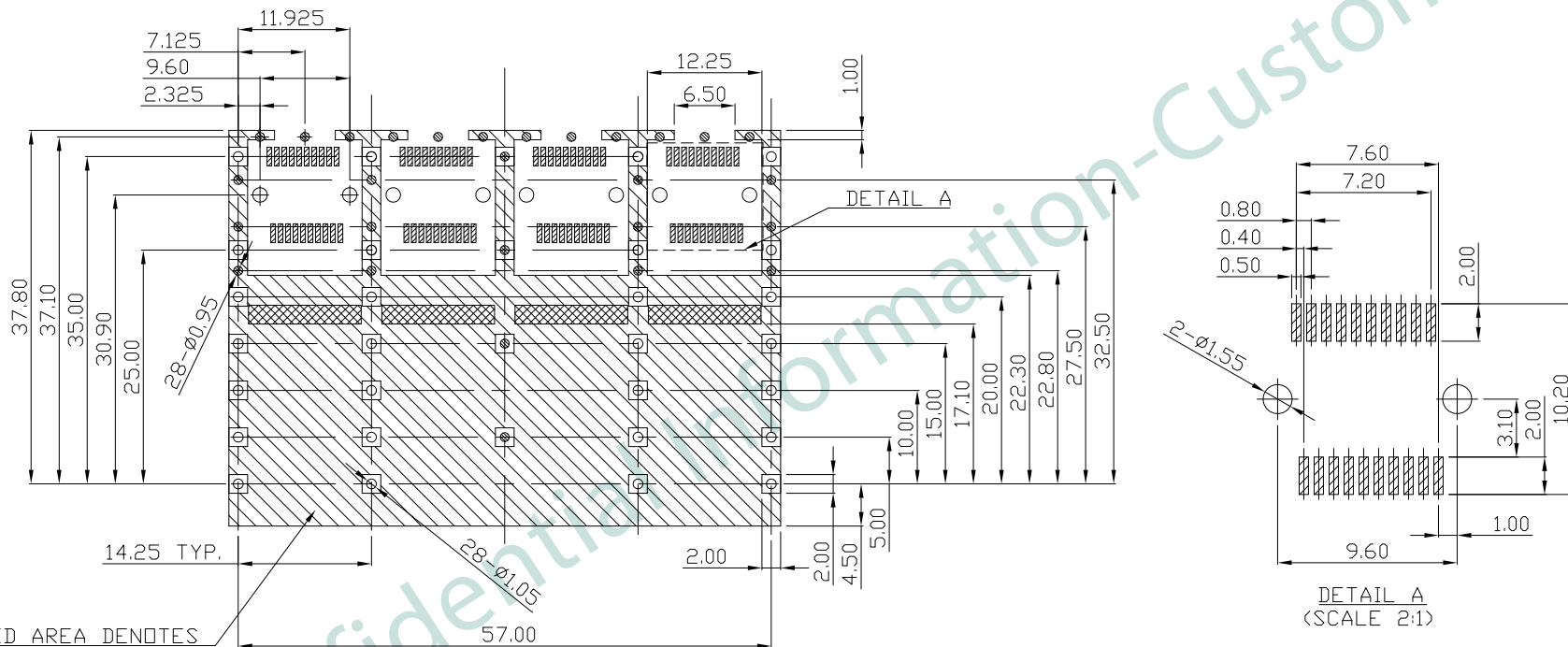
RECOMMENDED PCB CONFIGURATION WITH KEEP-OUT AREAS SINGLE SIDED APPLICATIONS

CROSS-HATCHED AREA DENOTES EXPOSED CHASSIS GROUND

DETAIL B (SCALE 2:1)

DETAIL A (SCALE 2:1)

PART NO		KSFP-A-ZPFA-0421-XXX		
TITLE	SFP 28 1X4 CAGE, EMI TAB, HEAT SINK, PRESS FIT TYPE			
REV : 01				
UNIT	DRAWN	CHKD	DATE	SHEET
mm[inch]	CINDY	VINCENT	Mar. 13, '19	3 of 5

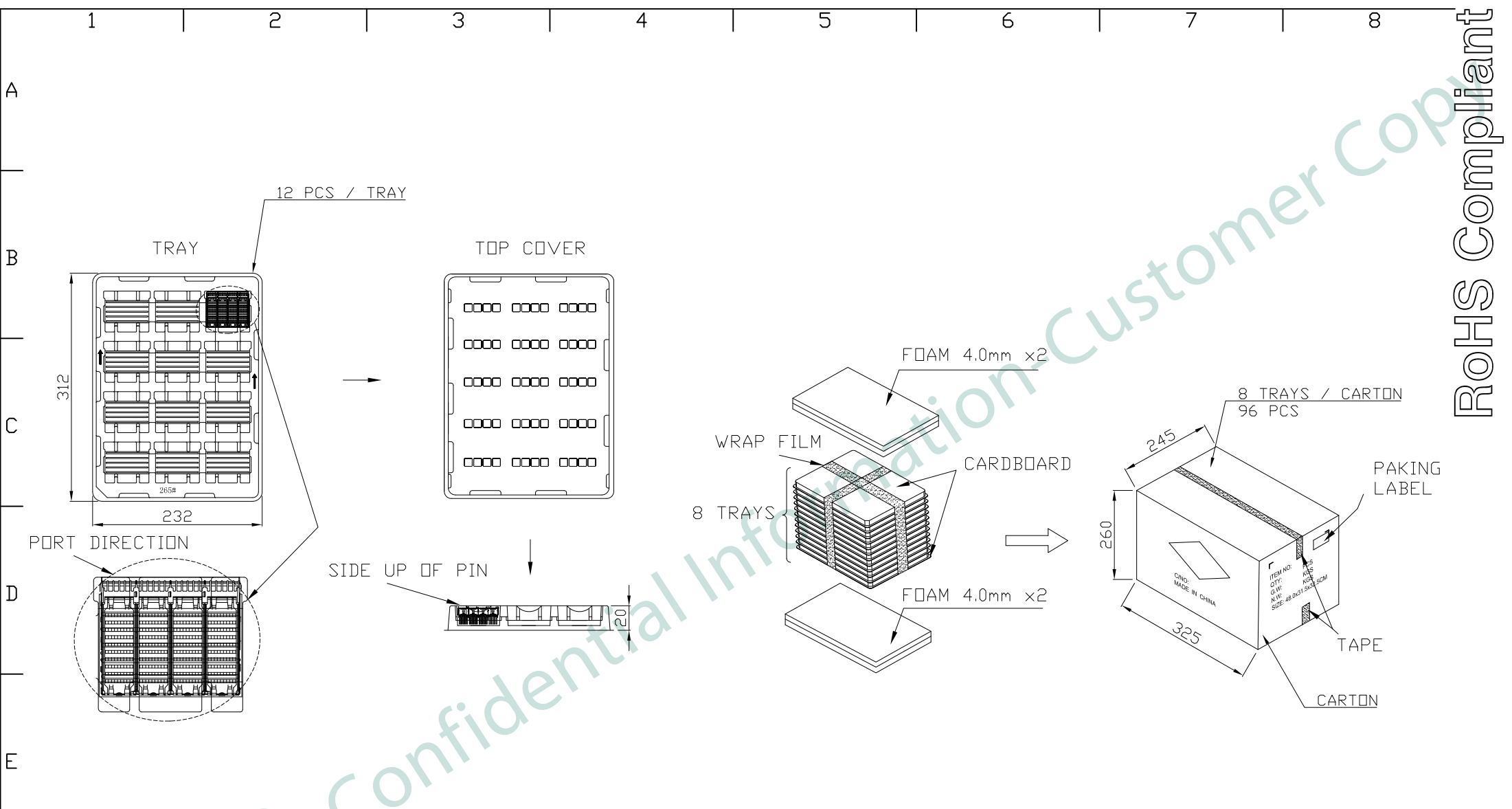


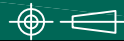
CROSS-HATCHED AREA DENOTES  
COMPONENT AND TRACE KEEP-OUT

RECOMMENDED PCB LAYOUT (COMPONENT SIDE)  
RECOMMENDED MINIMUM PCB T=3.0mm  
(ALL TOLERANCES ARE ±0.05)  
"□ □ •" THROUGH HOLE

RECOMMENDED PCB CONFIGURATION WITH KEEP-OUT  
AREAS BELLY TO BELLY APPLICATIONS

PART NO		KSFP-A-ZPFA-0421-XXX		
TITLE	SFP 28 1X4 CAGE, EMI TAB, HEAT SINK, PRESS FIT TYPE			
REV : 01				
UNIT	DRAWN	CHKD	DATE	SHEET
mm[inch]	CINDY	VINCENT	Mar. 13, '19	4 of 5



 PART NO		KSFP-A-ZPFA-0421-XXX		
TITLE	SFP 28 1X4 CAGE, EMI TAB, HEAT SINK, PRESS FIT TYPE			
REV : 01				
UNIT	DRAWN	CHKD	DATE	SHEET
mm[inch]	CINDY	VINCENT	Mar. 13, '19	5 of 5