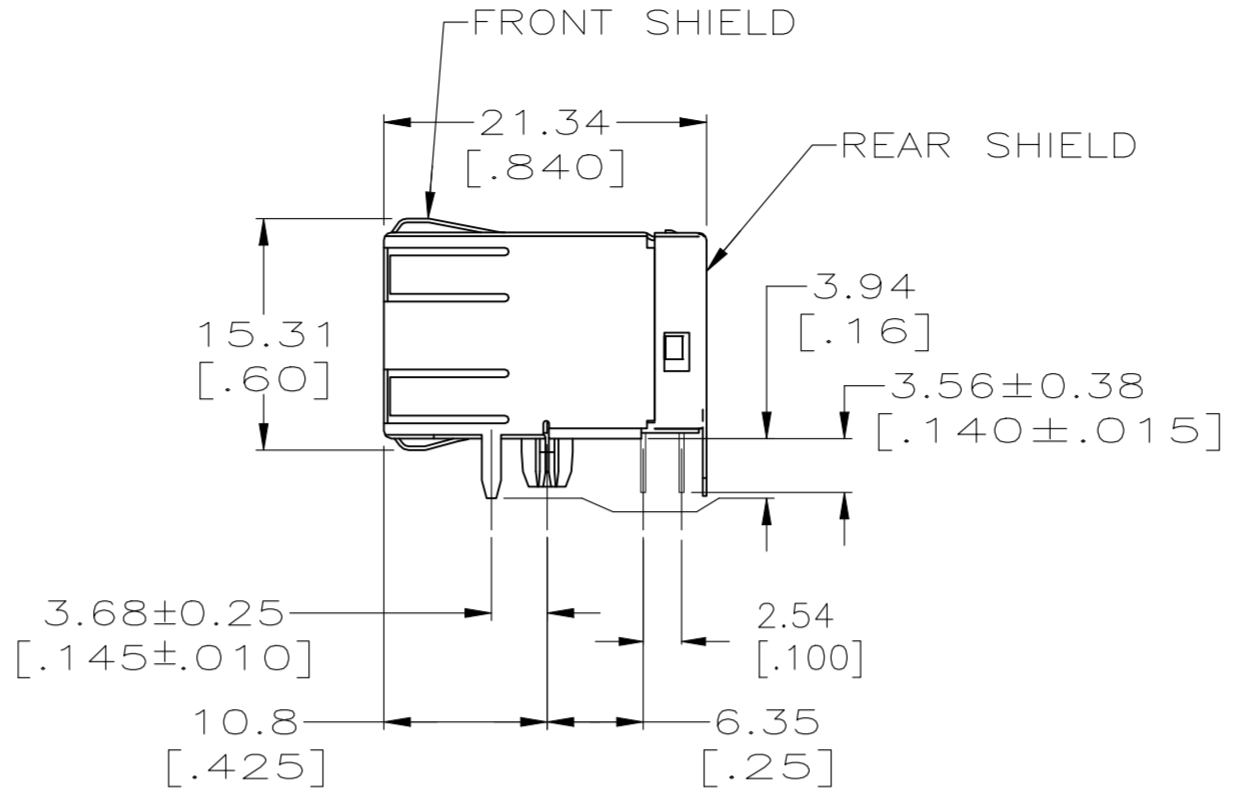
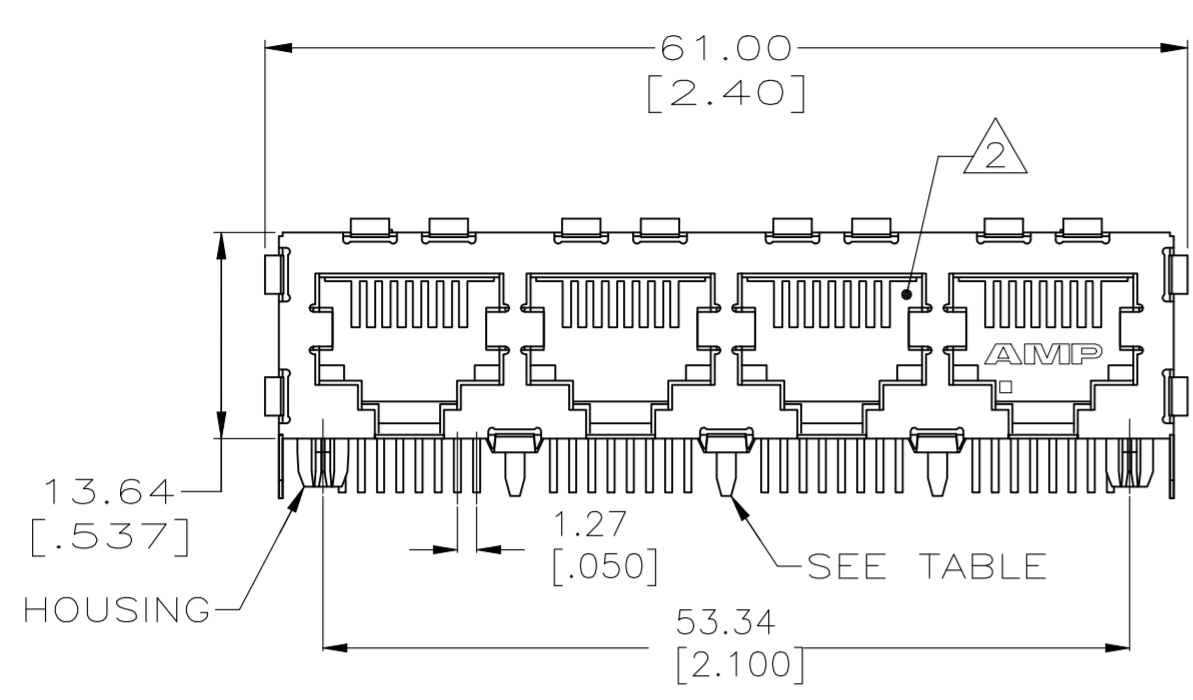
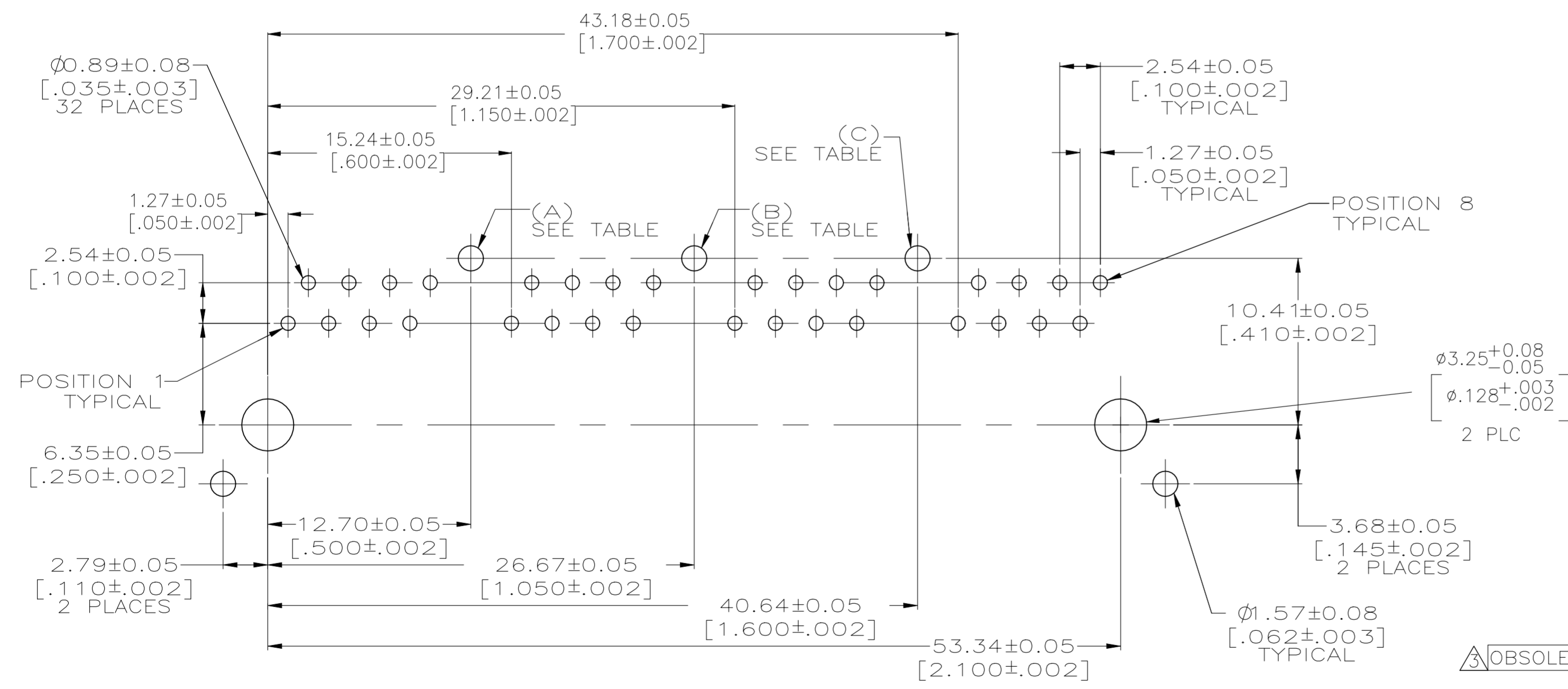


REVISIONS					
P	LTR	DESCRIPTION	DATE	DWN	APVD
C2		ECR-19-014657	13DEC2020	RR	SZ



- MATERIAL:
 HOUSING - NYLON, BLACK, UL 94V-0.
 OVERMOLDED TERMINAL ARRAY - PBT, BROWN.
 TERMINALS - 0.33[.013] THICK PHOS BRONZE PLATED WITH 1.27µm[.000050] MINIMUM HARD GOLD IN LOCALIZED AREA AND 3.81µm[.000150] MINIMUM MATTE TIN IN SOLDER AREA OVER 1.27 µm [.000050] MINIMUM NICKEL UNDERPLATE.
 SHIELD - 0.254[.010] THICK COPPER ALLOY PLATED WITH 1.27µm[.000050] MINIMUM NICKEL AND 2.03µm[.000080] MINIMUM HOT TIN DIP ON PCB GROUND TABS.

- ⚠ JACK CAVITY CONFORMS TO FCC RULES AND REGULATIONS, PART 68 SUBPART F.
- ⚠ OBSOLETE PARTS: OBSOLETE CIS STREAMLINING PER D.RENAUD/D.SINISI



SUGGESTED PC BOARD LAYOUT
 COMPONENT SIDE (TOP)
 SCALE 4:1

(A)	(B)	(C)	ALL THREE	5406275-3
	(B)		(1) MIDDLE	5406275-2
⚠ OBSOLETE	NONE		NONE	-5406275-1
HOLES USED	NO. OF REAR TABS			PART NO.

THIS DRAWING IS A CONTROLLED DOCUMENT.		DWN J. ALCORTA - DOCK5 07JUN2005	TE Connectivity MODULAR JACK , 4 PORT, 8 P, SHIELDED, REVERSE PANEL GROUND TABS, CATEGORY 5e	
DIMENSIONS: mm [INCHES]		CHK J. WESTMAN 07JUN2005		
TOLERANCES UNLESS OTHERWISE SPECIFIED:		APVD S. FLICKINGER 07JUN2005	NAME	
0 PLC ± -		PRODUCT SPEC	108-1163-2	
1 PLC ± -		APPLICATION SPEC	114-2048	
2 PLC ± 0.25[.01]		WEIGHT	0.000000	
3 PLC ± 0.13[.005]		SCALE	A2 00779 C=5406275	
4 PLC ± -		CUSTOMER DRAWING	SCALE 2:1 SHEET 1 of 1 REV C2	
ANGLES ± -				
FINISH				
SEE NOTE 1				