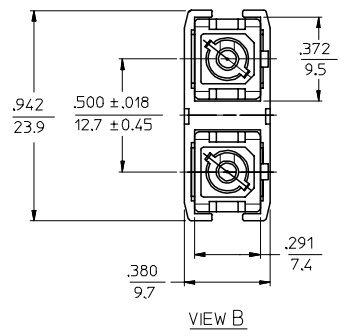
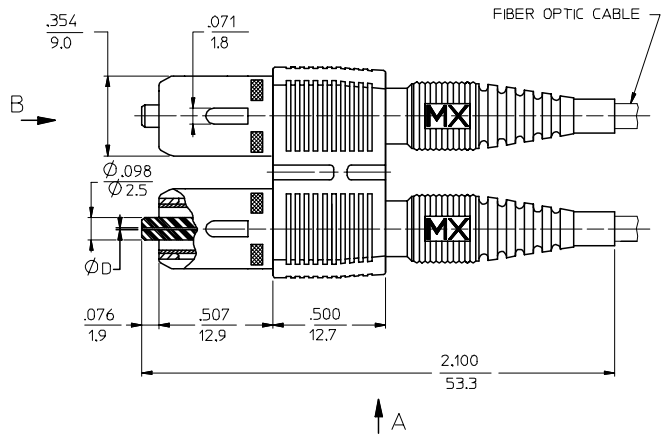
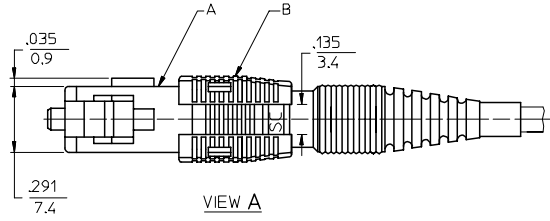


CONNECTOR P/N	Ø mm	MATERIAL OF FERRULE	COLOR OF HOUSING A	COLOR OF HOUSING B	COLOR OF BOOT	CONNECTOR TYPE	CABLE OD mm
106066-0000	.127	ZIRCONIA	BEIGE	BEIGE	BEIGE	MULTIMODE	3
*106066-0010			BLACK	BLACK	BLACK		
106066-0070			RED	RED	RED		
106066-0080	BLUE		BLUE	BLUE	SINGLE MODE		
106066-2000	RED		RED	RED			
106066-2080	.1255		BEIGE	BEIGE	BEIGE	MULTIMODE	
106066-3000			BLACK	BLACK	BLACK		
106066-3070	.128		RED	RED	RED	SINGLE MODE	
106066-3080			BLUE	BLUE	BLUE		
106066-4000	.125		RED	RED	RED	SINGLE MODE	
106066-5000	.126		BLUE	BLUE	BLUE		
106066-5001			RED	RED	RED	MULTIMODE	
106066-5080	.127	BLUE	BLUE	BLUE			
106066-7000		.125	RED	RED	RED	SINGLE MODE	
106066-4300	BLUE		BLUE	BLUE			
106066-5300	.126	BEIGE	BEIGE	BEIGE	MULTIMODE		
106066-0300	.127	BEIGE	BEIGE	BEIGE			



NOTES:
 1. DUST CAPS ARE NOT SHOWN.
 *2. P/N 106066-5001 AND P/N 106066-0010 ARE BULK PACKED IN QUANTITIES OF 100 PCS.

EC NO: MF2006-0424 DRAWN/RPACIFIC I 2006/01/24 CHKD: 2006/01/24 APPR: JGUMIN 2006/01/24 REVISION DESCRIPTION	QUALITY SYMBOLS	GENERAL TOLERANCES (UNLESS SPECIFIED)	DIMENSION STYLE	SCALE	DESIGN UNITS	THIRD ANGLE PROJECTION															
	$\nabla=0$ $\nabla=0$	<table border="1"> <thead> <tr> <th></th> <th>mm</th> <th>INCH</th> </tr> </thead> <tbody> <tr> <td>4 PLACES</td> <td>± ---</td> <td>± ---</td> </tr> <tr> <td>3 PLACES</td> <td>± ---</td> <td>± ---</td> </tr> <tr> <td>2 PLACES</td> <td>± ---</td> <td>± ---</td> </tr> <tr> <td>1 PLACE</td> <td>± ---</td> <td>± ---</td> </tr> </tbody> </table>		mm	INCH	4 PLACES	± ---	± ---	3 PLACES	± ---	± ---	2 PLACES	± ---	± ---	1 PLACE	± ---	± ---	IN/MM	4:1	INCH	
		mm	INCH																		
	4 PLACES	± ---	± ---																		
3 PLACES	± ---	± ---																			
2 PLACES	± ---	± ---																			
1 PLACE	± ---	± ---																			
		DRAWN BY RPACIFIC I DATE 2005/12/22 CHECKED BY DATE APPROVED BY DATE	TITLE SC-D TYPE CONNECTOR																		
		ANGULAR ±1/2° DRAFT WHERE APPLICABLE MUST REMAIN WITHIN DIMENSIONS	MATERIAL NO. SEE TABLE SIZE C	DOCUMENT NO. SD-106066-XXX0	MOLEX INCORPORATED	SHEET NO. 1 OF 01															