

ARY-7235-AC-PD

Industrial Outdoor IP67 Plastic Housing IEEE 802.11a/b/g/n/ac Wireless Access Point/Client/Bridge/Repeater/Router with PoE PD



Features

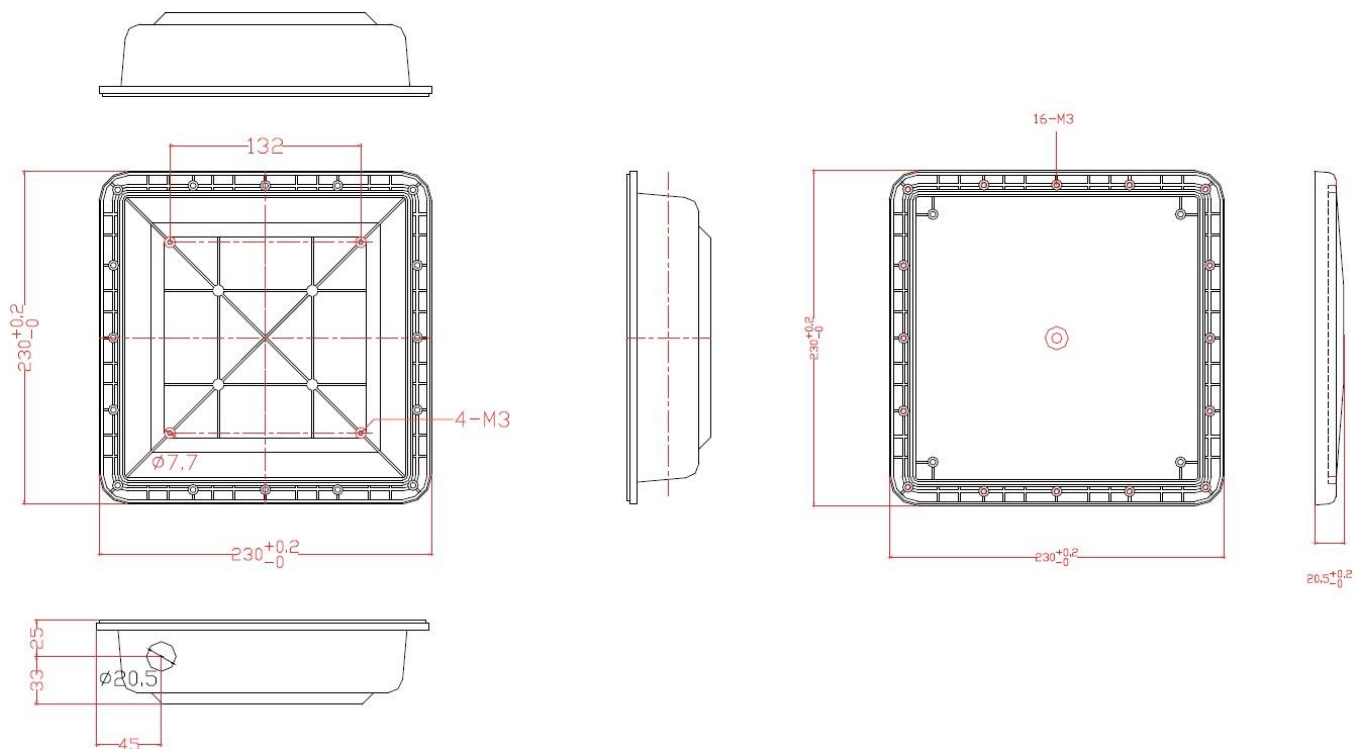
- ▶ High-speed WLAN Supports Up to 867Mbps
- ▶ Dual Band (2.4GHz/5GHz Concurrent)
- ▶ Industrial MIMO Wireless Solution (Dual 2Tx/2Rx)
- ▶ Supports IEEE 802.11a/b/g/n/ac
- ▶ PD (Powered Device) IEEE 802.3af/at Compliant
- ▶ Supports Ethernet Gigabit WAN/LAN Port
- ▶ Qualcomm IPQ4029 SoC
- ▶ Tx Power 25dBm for 2.4GHz/5GHz
- ▶ WPA, WPA2, WPA3, WEP, TKIP, AES
- ▶ IP67 Plastic Housing
- ▶ Pole Mountable
- ▶ Operating Temperature Range: -40°C to 50°C
- ▶ 5-Year Warranty

INTRODUCTION

Antaira Technologies' ARY-7235-AC-PD is designed for industrial and enterprise outdoor wireless access applications. Embedded with the Qualcomm IPQ4029 SoC chipset, it boasts network robustness, stability and a wider network coverage. Based on IEEE 802.11a/b/g/n/ac, the access point supports high-speed data transmission of up to 867Mbps.

The ARY-7235-AC-PD is capable of operating in different modes, which makes it suitable for a wide variety of wireless applications including long-distance deployments. With the standard operating temperature range of -40°C to 50°C and the plastic housing IP67 rated, this wireless access point is built for applications where extreme dust and other harsh environmental conditions exist.

DIMENSIONS



SPECIFICATIONS

Technology	
Standards	IEEE 802.11a/b/g/n/ac Wireless LAN IEEE 802.3 10Base-T Ethernet IEEE 802.3u 100Base-TX Fast Ethernet IEEE 802.3ab 1000Base-T Gigabit Ethernet IEEE 802.3af/at Power over Ethernet
WLAN Operation Mode	AP/Client/Bridge/Repeater/Router
Protocol	IP, TCP, UDP, ARP, BOOTP, ICMP, HTTP, HTTPS, DNS Proxy, NAPT, SNTP, Dynamic DNS, SMTP, SNMP
Encryption Security	WPA, WPA2, WPA3, WEP, TKIP, AES, RADIUS, 802.1x/EAP
Interface	
Ethernet Port	WAN: 10/100/1000Tx LAN (PoE PD): 10/100/1000Tx
WLAN	Dual Band 2.4GHz/5GHz concurrent
Antenna	2*External N-Type Antennas: 5dBi for 2.4GHz, 5dBi for 5GHz (MIMO support, Dual 2Tx/2Rx)
Frequency Range	
IEEE 802.11b/g/n (2.4GHz)	2.402G~2.482GHz
IEEE 802.11a/n/ac (5GHz)	4.920G~5.920GHz
Mechanical Characteristics	
Housing	Plastic, IP67 rated
Dimensions	230 x 58 x 230 mm (W x H x D)
Weight	Unit: 2.689 lbs. Shipping: 4.047 lbs.
Mounting	Pole mounting

Power Requirement	
Input Voltage	IEEE 802.3at PoE (48-56 VDC)
System Power Consumption	4.2 Watts
Environmental Limits	
Operating Temperature	-40°C to 50°C
Storage Temperature	-40°C to 80°C
Ambient Relative Humidity	5% to 95%, (non-condensing)
Regulatory Approvals	
EMI	FCC Part 15 Subpart B CE EN 55032
EMS	CE EN 55024 IEC61000-4-2,3,4,5,6,8,11
Green Certifications	RoHS Compliant FCC, CE
Warranty	5 Years

ORDERING INFO

ARY-7235-AC-PD	Industrial Outdoor IP67 Plastic Housing IEEE 802.11a/b/g/n/ac Wireless Access Point/Client/Bridge/Repeater/Router with PoE PD
-----------------------	---