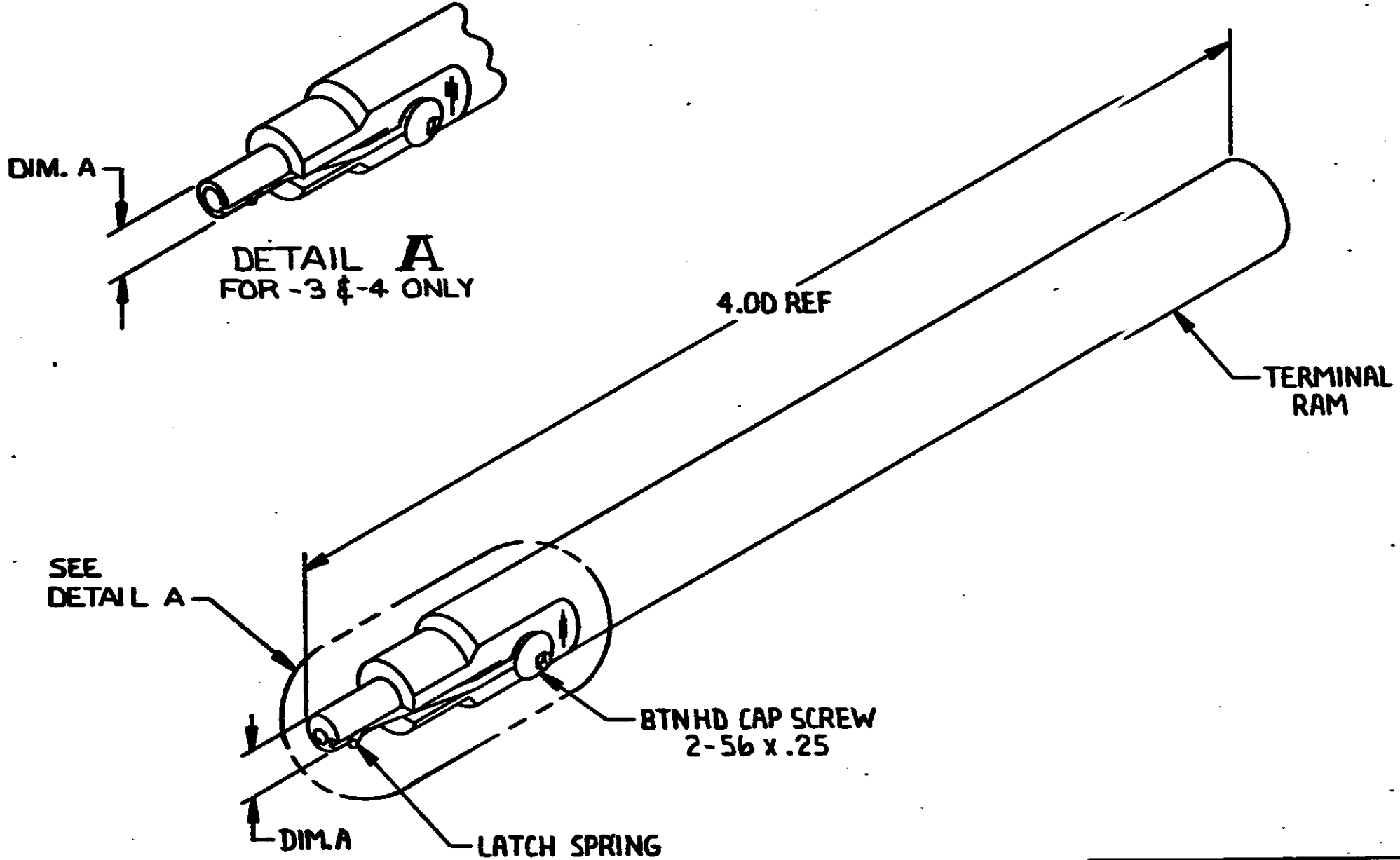



© COPYRIGHT 1978 BY AMP INCORPORATED, HARRISBURG, PA.  
 ALL INTERNATIONAL RIGHTS RESERVED. AMP INCORPORATED PRODUCTS  
 COVERED BY U. S. AND FOREIGN PATENTS AND/OR PATENTS PENDING.

REVISIONS						
P	F	ZONE	LTR	DESCRIPTION	DATE	APPROVED
0			0	RELEASED	8-11-78	oh REC
A			A	REV PER ECN S-1259	11/13/78	SS RR
B	✓		B	REV PER ECN AA-945	4/25/81	GB MJ



- ① MATERIAL: TERMINAL RAM-TDOL STL  
LATCH SPRING-STL MUSIC WIRE  
SCREW-ALY STL
- ② FINISH: ALL PARTS BLK OXIDE

.090	.170	230553-4
.070	.125	230553-3
.156	.120	230553-2
.125	.093	230553-1
TERMINAL SIZE	DIM. A	PART NO

UNLESS OTHERWISE SPECIFIED DIMENSIONS ARE IN INCHES. TOLERANCES ON: DECIMALS ± # ANGLES ± #	CONTRACT NO	 AMP INCORPORATED Harrisburg, Pa.		
	DR Amy Holt 8-14-78			
	MATERIAL	CHK RERauch 8-15-78	NAME ASSEMBLY, RAM	
	FINISH	APPD R. Sooy 9-27-78 APPD C. Pa 4-27-81	SIZE B	CODE IDENT NO 00779
	DSGN APPD	SCALE 2/1	SHEET 1 OF 1	
	OTHER APPD	CUSTOMER DRAWING		