

PART NAME

VERTICAL CABLEWAY RING

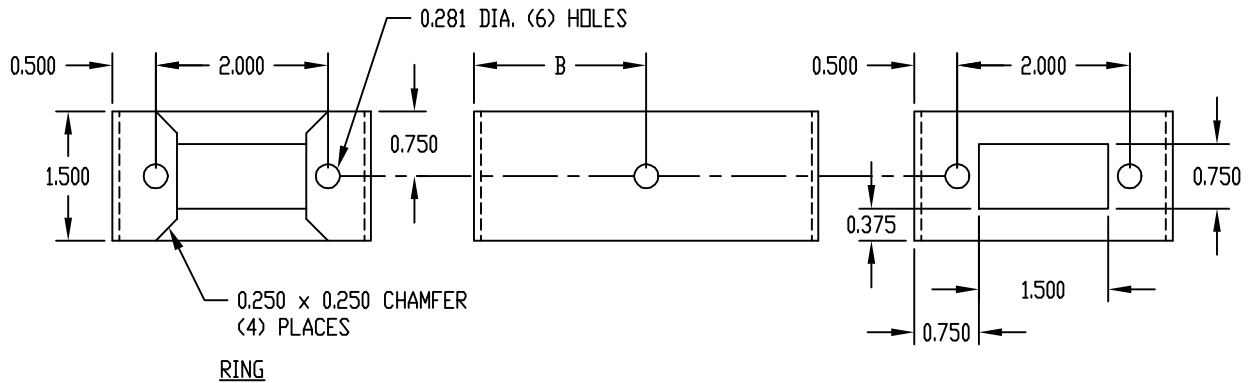
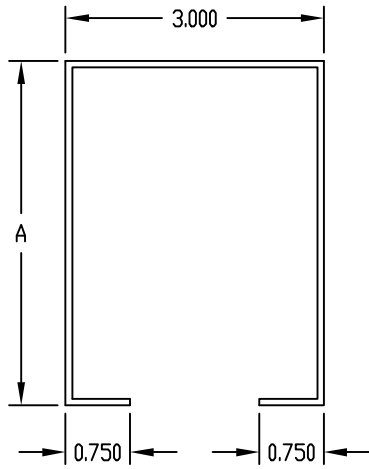
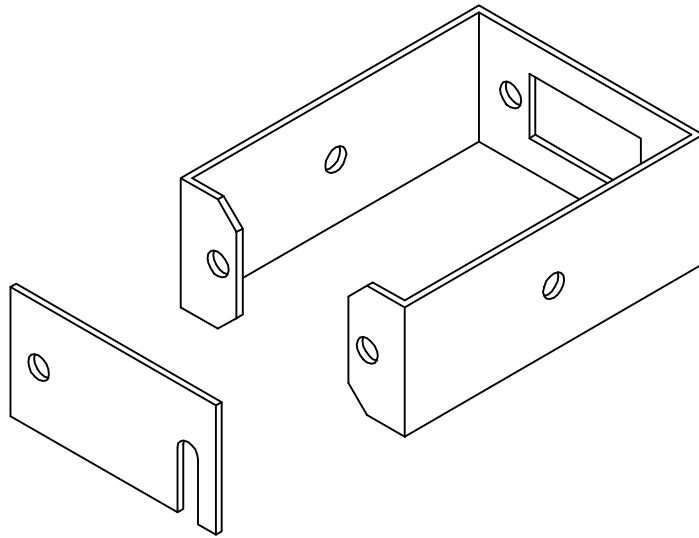
PART No.

CM-1195 & CM-1196

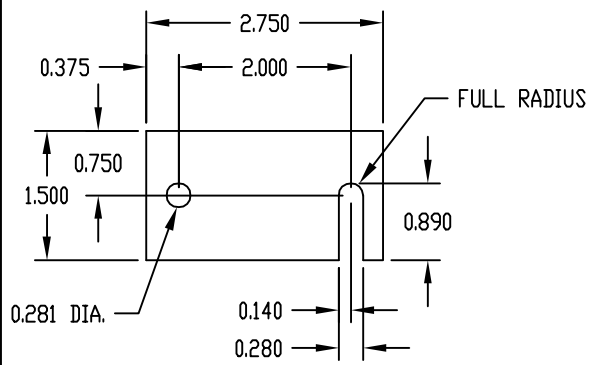
MATERIAL: 14 GA. STEEL

FINISH: SMOOTH BLACK

SUPPLIED WITH QTY. (4)
 #12-24 x 1/2 LG. SCREWS
 & QTY. (2) #12-24 CLIP NUTS



RING



GATE

PART No.	DIMENSION 'A'	DIMENSION 'B'
CM-1195	4.000	2.000
CM-1196	6.000	3.000