

# SACC-M12MS-5QO SH DN - Data connector



1422759

<https://www.phoenixcontact.com/pc/products/1422759>

Please be informed that the data shown in this PDF document is generated from our online catalog. Please find the complete data in the user documentation. Our general terms of use for downloads are valid.



Data connector, CANopen<sup>®</sup>, DeviceNet<sup>™</sup>, 5-position, halogen-free, shielded, Plug straight M12, A, Insulation displacement connection, knurl material: Zinc die-cast, nickel-plated, external cable diameter 5 mm ... 9.7 mm

## Your advantages

- Safe use in the field, thanks to a high degree of protection
- Insulation displacement connection: innovative and time-saving assembly without stripping the single wire
- Reliable signal transmission – 360° shielding in environments with electromagnetic interference

## Commercial data

Item number	1422759
Packing unit	1 pc
Minimum order quantity	1 pc
Product key	BF2CDD
Catalog page	Page 423 (C-2-2019)
GTIN	4055626312965
Weight per piece (including packing)	39.3 g
Weight per piece (excluding packing)	39.9 g
Customs tariff number	85366990
Country of origin	DE

# SACC-M12MS-5QO SH DN - Data connector



1422759

<https://www.phoenixcontact.com/pc/products/1422759>

## Technical data

### Notes

General	<b>NOTE:</b> Observe the permissible bending radii when laying conductors, since the degree of protection may be put in jeopardy if the bending forces are too high. Alleviate mechanical loads upstream of the connector, e.g. by using cable ties.
---------	--

### Mounting

Connection method	Insulation displacement connection
-------------------	------------------------------------

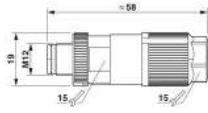
### Product properties

Product type	Circular connector (cable-side)
Sensor type	CANopen <sup>®</sup>
Number of positions	5
No. of cable outlets	1
Shielded	yes
Coding	A
Cable outlet	straight

### Insulation characteristics

Overvoltage category	II
Degree of pollution	3

### Dimensions

Dimensional drawing	
Length	58 mm
Wrench size, union nut	15 mm

### External dimensions

Outside diameter	5 mm ... 9.7 mm
------------------	-----------------

### Housing

Diameter housing	19 mm
------------------	-------

### Material specifications

Flammability rating according to UL 94	V0
Seal material	NBR
Material of grip body	Zinc die-cast, nickel-plated
Contact material	CuSn
Contact surface material	Ni/Au
Contact carrier material	PA 6.6

# SACC-M12MS-5QO SH DN - Data connector



1422759

<https://www.phoenixcontact.com/pc/products/1422759>

Material for screw connection	Zinc die-cast, nickel-plated
Standards/regulations	PA 6.6: Fire protection in rail vehicles - requirement sets R22, R23, R24, and R26 acc. to DIN EN 45545-2 (Risk level HL1 - HL3)
Wire insulation material	PVC / PE / PP / rubber

## Connection data

### Conductor connection

Connection method	Insulation displacement connection
Connection cross section	0.14 mm <sup>2</sup> ... 0.75 mm <sup>2</sup> (flexible) 0.14 mm <sup>2</sup> ... 0.5 mm <sup>2</sup> (solid)
Connection cross section AWG	26 ... 18 (flexible) 26 ... 20 (solid)
Tightening torque	M12 knurl 5 Nm (Pressure nut)

### Pin assignment

Contact   Color (signal designation)   Contact (optional)	1 = GY (shield) 2 = RD 3 = BK 4 = WH 5 = BU
---	---

## Electrical properties

Rated surge voltage	0.8 kV
Insulation resistance	≥ 100 MΩ
Nominal voltage U <sub>N</sub>	48 V AC 60 V DC
Nominal current I <sub>N</sub>	4 A

## Mechanical properties

### Mechanical data

Insertion/withdrawal cycles	≥ 100
-----------------------------	-------

## Connector

### Connection 1

Head design	Plug
Head cable outlet	straight
Head thread type	M12
Coding	A

## Cable/line

Signal type/category	CANopen <sup>®</sup> DeviceNet <sup>™</sup>
----------------------	--

# SACC-M12MS-5QO SH DN - Data connector



1422759

<https://www.phoenixcontact.com/pc/products/1422759>

## Environmental and real-life conditions

### Ambient conditions

Degree of protection	IP65
	IP67
Ambient temperature (operation)	-40 °C ... 85 °C (Plug / socket)
Ambient temperature (assembly)	-5 °C ... 50 °C

## Standards and regulations

### Testing

Standards/regulations	PA 6.6: Fire protection in rail vehicles - requirement sets R22, R23, R24, and R26 acc. to DIN EN 45545-2 (Risk level HL1 - HL3)
-----------------------	--

### M12

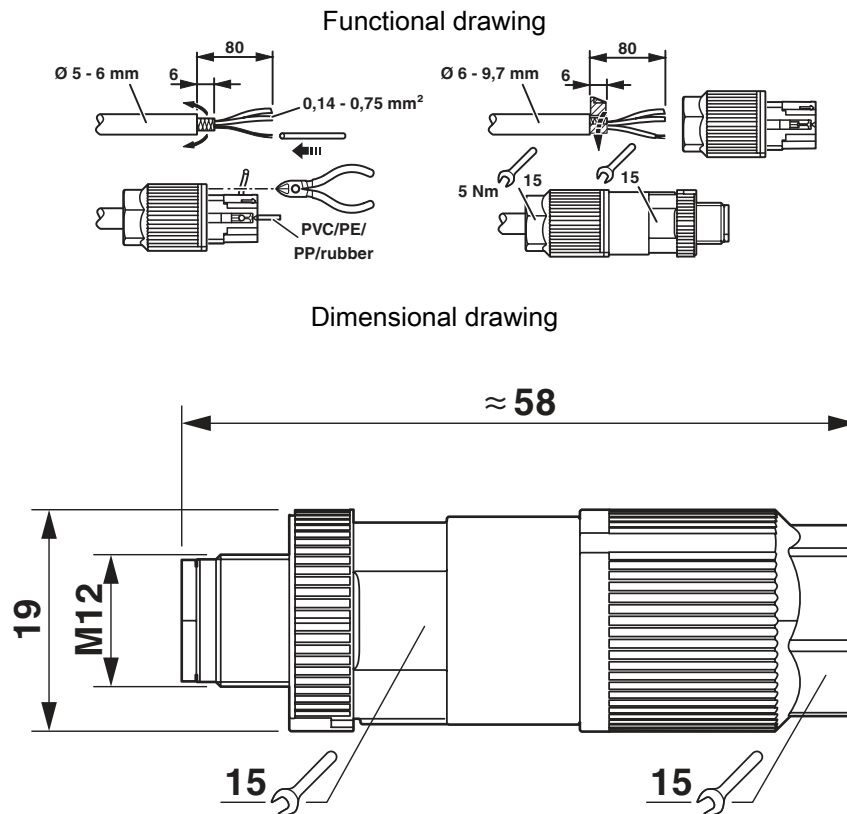
Standard designation	M12 connector
Standards/specifications	according to IEC 61076-2-101
Standard designation	Shock, vibration
Standards/specifications	EN 50155:2001

# SACC-M12MS-5QO SH DN - Data connector

1422759

<https://www.phoenixcontact.com/pc/products/1422759>

## Drawings



Plug, M12 x 1, straight, shielded

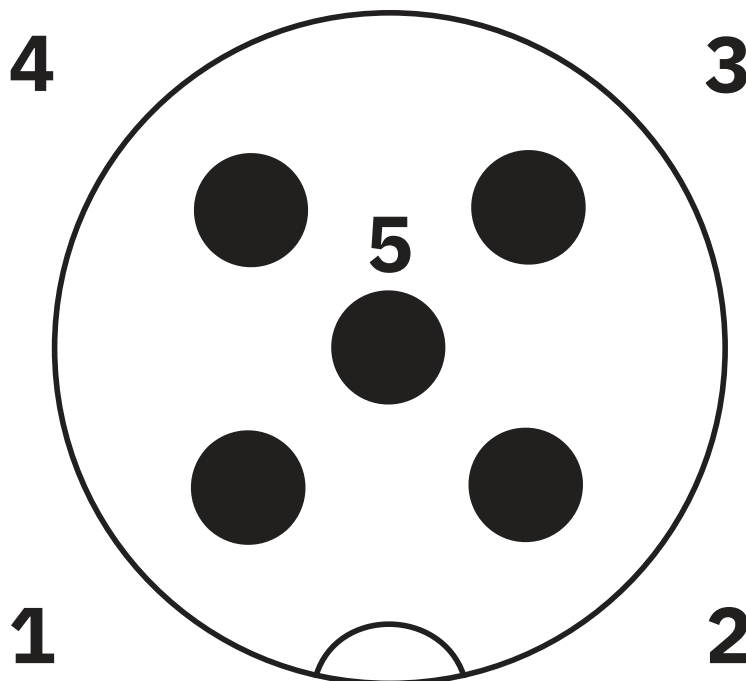
# SACC-M12MS-5QO SH DN - Data connector

1422759

<https://www.phoenixcontact.com/pc/products/1422759>



Schematic diagram



Pin assignment M12 male connector, 5-pos., A-coded, male side

# SACC-M12MS-5QO SH DN - Data connector



1422759

<https://www.phoenixcontact.com/pc/products/1422759>

## Approvals

To download certificates, visit the product detail page: <https://www.phoenixcontact.com/pc/products/1422759>



**EAC**

Approval ID: RU C-DE.AI30.B.01102



**EAC**

Approval ID: RU C-DE.BL08.B.00511

# SACC-M12MS-5QO SH DN - Data connector



1422759

<https://www.phoenixcontact.com/pc/products/1422759>

## Classifications

### ECLASS

ECLASS-11.0	27440102
ECLASS-12.0	27440116
ECLASS-13.0	27440116

### ETIM

ETIM 8.0	EC002635
----------	----------

### UNSPSC

UNSPSC 21.0	39121400
-------------	----------



# SACC-M12MS-5QO SH DN - Data connector



1422759

<https://www.phoenixcontact.com/pc/products/1422759>

## Accessories

VS-08-RJ45-FOLIEN-SET - Shielding foil

1417184

<https://www.phoenixcontact.com/pc/products/1417184>

Shielding foil set, 25 pieces, replacement for RJ45 and M12 Quickon connector



---

PROT-M12 FS-PA-CHAIN - Sealing cap

1430873

<https://www.phoenixcontact.com/pc/products/1430873>

M12 sealing cap made of plastic with fixing band, for sensor cables, for free M12 plugs



## SACC-M12MS-5QO SH DN - Data connector

1422759

<https://www.phoenixcontact.com/pc/products/1422759>



## SAC-5P-920/... - Bus system cable

1511504

<https://www.phoenixcontact.com/pc/products/1511504>



Bus system cable, CANopen<sup>®</sup>, DeviceNet<sup>™</sup>, 4-position halogen-free, shielded, cable length: Free entry (0.5 ... 400 m)

---

## TSD 04 SAC - Torque screwdriver

1208429

<https://www.phoenixcontact.com/pc/products/1208429>



Torque screwdriver, with preset torque of 0.4 Nm and 4 mm hexagonal drive for M12 connectors

# SACC-M12MS-5QO SH DN - Data connector

1422759

<https://www.phoenixcontact.com/pc/products/1422759>



## SACC BIT M12-D20 - Tool

1208445

<https://www.phoenixcontact.com/pc/products/1208445>

Nut for assembling M12 connectors for assembly with a knurl diameter of 20 mm, for 4 mm hexagonal drive



---

## TSD-M 1,2NM - Torque screwdriver

1212224

<https://www.phoenixcontact.com/pc/products/1212224>

Torque screw driver, accuracy as per EN ISO 6789 standard, adjustable from 0.3 - 1.2 Nm



# SACC-M12MS-5QO SH DN - Data connector



1422759

<https://www.phoenixcontact.com/pc/products/1422759>

## TSD-M SAC-BIT ADAPTER - Adapter insert

1212600

<https://www.phoenixcontact.com/pc/products/1212600>



Adapter bit for TSD-M...torque tools, E6.3-1/4" drive with 4 mm hexagon to accommodate SAC bits

---

## WIREFOX-D 40 - Stripping tool

1212161

<https://www.phoenixcontact.com/pc/products/1212161>



Stripping tool, for stripping cables of 4.5 mm - 40 mm-Ø, insulation thickness of up to 4.5 mm, pivoting blade for round, lengthwise, and spiral cuts

# SACC-M12MS-5QO SH DN - Data connector



1422759

<https://www.phoenixcontact.com/pc/products/1422759>

## MICROFOX-SB - Diagonal cutter

1212489

<https://www.phoenixcontact.com/pc/products/1212489>



Electronic diagonal cutter, round head, without chamfer, with opening spring, mirror-polished and oiled, 2-component grip, cutting capacity: soft 0.2 - 2.0 mm; medium hard 1.2 mm; hard 0.5 mm diameter

---

## VS-CABLE-STRIP-VARIO - Stripping tool

1657407

<https://www.phoenixcontact.com/pc/products/1657407>

Stripping tool, for the multi-level stripping of shielded cables



---

Phoenix Contact 2023 © - all rights reserved  
<https://www.phoenixcontact.com>

PHOENIX CONTACT GmbH & Co. KG  
Flachsmarktstraße 8  
D-32825 Blomberg  
+49 (0) 5235-3 00  
[info@phoenixcontact.com](mailto:info@phoenixcontact.com)