

DWG. NO. SD-56265-001

F

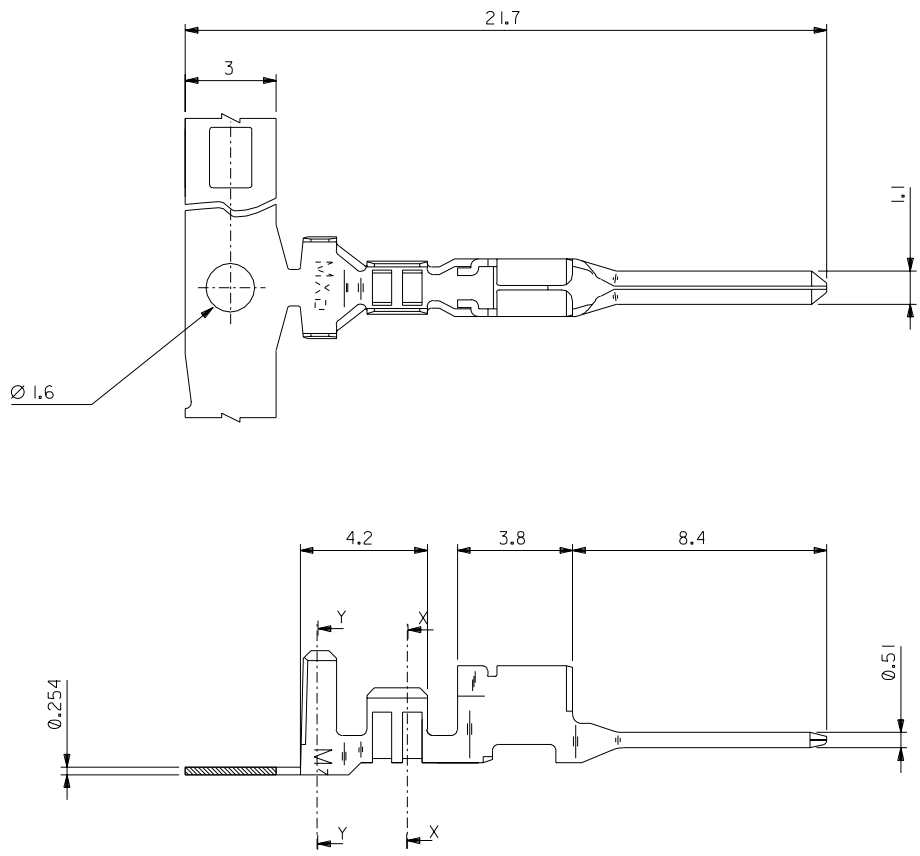
D

V

C

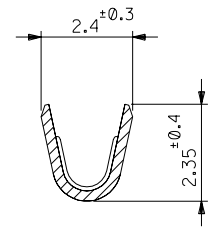
B

DO NOT SCALE DRAWING

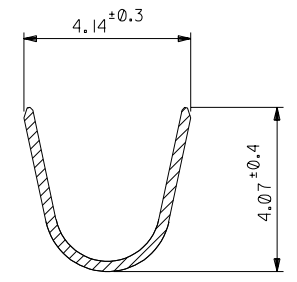


注記
NOTES

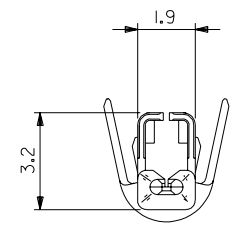
1. 使用材料 : リン青銅, 錫メッキ (t=0.254)
MATERIAL : PRE-TINNED PHOSPHOR BRONZE (t=0.254)
2. 適合ハウジング : 51346シリーズ
APPLICABLE HOUSING : 51346 SERIES



SECT. X-X



SECT. Y-Y



56265-8100	バラ状 LOOSE
56265-8000	連鎖状 CHAIN
MATERIAL NO.	端子形状 FORM

EC NO. DRWN: CHK: APPR:	EC NO. DRWN: CHK: APPR:	REVISED EC NO. J2003-2363 DRWN: H.II '03/03/14 CHK: K.ASAKAWA APPR: T.YAMAGUCHI	REVISED EC NO. J2003-1314 DRWN: H.II '02/11/08 CHK: K.ASAKAWA APPR: T.YAMAGUCHI	RELEASED EC NO. J2003-1178 DRWN: H.II '02/10/29 CHK: K.ASAKAWA APPR: T.YAMAGUCHI	DESCRIPTION	MATERIAL 材料 注記参照 SEE NOTES	GENERAL TOLERANCES: (UNLESS SPECIFIED) 一般公差	SCALE //	DESIGN UNITS ☑mm ☐INCH	THIRD ANGLE PROJECTION ☉	DIMENSIONS: ☐mm ☐INCH ☒mm ONLY	SHT REV
B	A	∅	∅	∅	FINISH 仕上げ //	WIRE RANGE 適用線径範囲 AWG #18 - #20	10 UNDER 未満 ±0.2	DRAWN BY & DATE H.II '02/10/29	TITLE: 3.3 mm WIRE TO WIRE CONN. PLUG TERMINAL			
					INS. RANGE 被覆外径 ∅2.6MAX.	ANGLE 角度 ±3°	10 OVER 30 UNDER 以上 未満 ±0.25	CHECKED BY & DATE K.ASAKAWA '02/10/29				
							30 OVER 以上 ±0.3	APPROVED BY & DATE T.YAMAGUCHI '02/10/29				
								CAD FILENAME SD56265001.S01	MATERIAL NO. SEE CHART	DRAWING NO. SD-56265-001	SHEET NO. 1 OF 1	SIZE B
THIS DRAWING CONTAINS INFORMATION THAT IS PROPRIETARY TO MOLEX INCORPORATED AND SHOULD NOT BE USED WITHOUT WRITTEN PERMISSION.											EN-02J(097) MXJ-54	

F
E
D
C
B
A