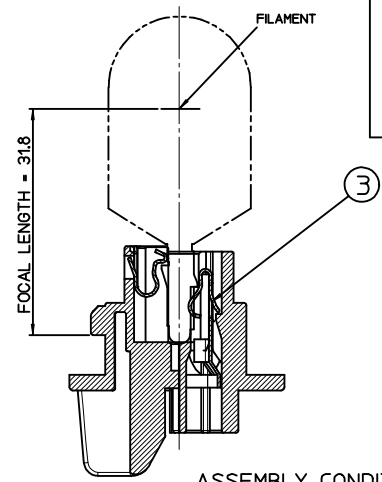
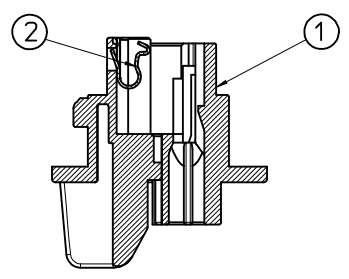
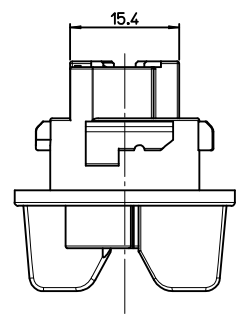


ISOVIEW



ASSEMBLY CONDITION



SECTION A-A

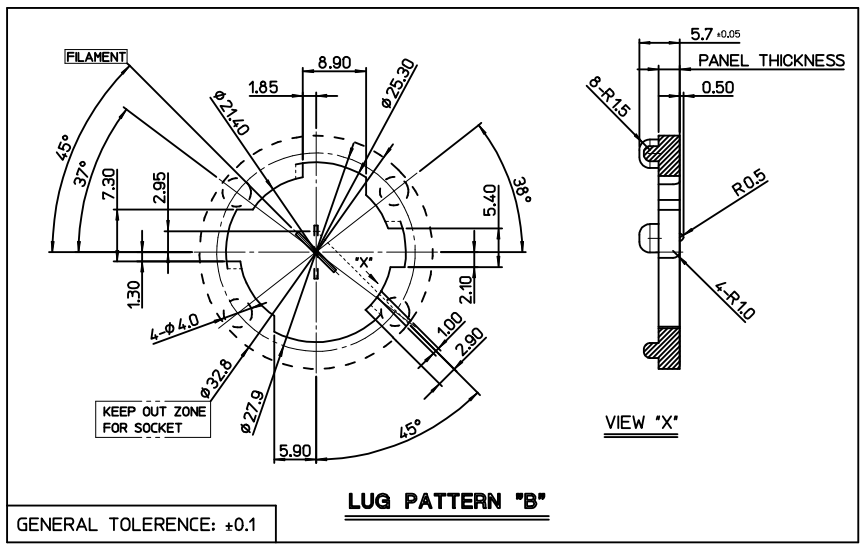
<NOTE>

- 1. APPLICABLE LAMP : W21W(T20)
- 2. PANEL THICKNESS : 3.0mm ±0.1
- 3. MATES WITH

NO.	DESCRIPTION	MATERIAL	PART NO.	WIRE RANGE
③	SINGLE TERMINAL	BRASS	49869-9102	0.5~0.85mm ²

<PARTS LIST>

NO.	DESCRIPTION	MATERIAL	USAGE	REMARK
①	T20 BULB SOCKET	NYLON46, GF 30%	1	BLACK
			1	GRAY
②	LAMP HOLDER	SUS	2	UNPLATED



VIEW "X"

LUG PATTERN "B"

GENERAL TOLERANCE: ±0.1

MATERIAL NO.	ORDER NO.	COLOR
1041340211	104134-0211	BLACK
1041340215	104134-0215	GRAY

CHANGED DIMS & ADDED COLOR EC NO: KTR2012-0067 DRWN:HM00N 2012/05/03 CHKD:HM00N 2012/05/03 APPR:	QUALITY SYMBOLS ▽=0 ▽=0	GENERAL TOLERANCES (UNLESS SPECIFIED)	DIMENSION STYLE MM ONLY	SCALE 2:1	DESIGN UNITS METRIC	THIRD ANGLE PROJECTION	
		mm INCH	DRAWN BY SMK1M	DATE 2009/03/17	TITLE W21W UNSEALED WEDGE BULB SOCKET 2P		
		4 PLACES ± --- ± --- 3 PLACES ± --- ± --- 2 PLACES ± 0.2 ± --- 1 PLACE ± 0.30 ± --- ANGULAR ± 1 °	CHECKED BY BCY00N	DATE 2009/03/17	MOLEX INCORPORATED		
		DRAFT WHERE APPLICABLE MUST REMAIN WITHIN DIMENSIONS	APPROVED BY DC_LISLE	DATE 2012/06/29	MATERIAL NO. SEE TABLE 1	DOCUMENT NO. SD-104134-001	SHEET NO. 1 OF 1