

PRODUCT NUMBER

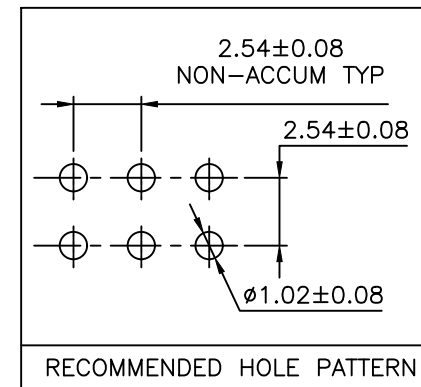
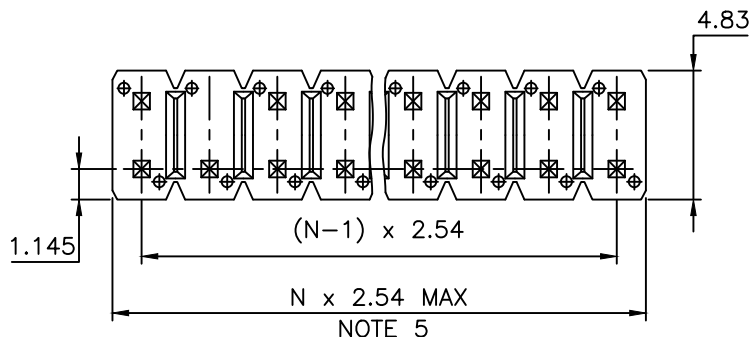
77314-YXXXLF

RoHS COMPATIBLE
SEE NOTE 8

OPTION LETTER
SEE NOTE 7 & SHEET 9

PIN STYLE SEE SHEET 2 TO 8

PLATING SEE SHEET 2



NOTES:

1. HOUSING MAT'L : HIGH TEMPERATURE THERMOPLASTIC. UL94V-0 COLOR: BLACK

2. PIN MATERIAL : PHOSPHOR BRONZE

3. PRODUCT PACKAGED IN POLY BAGS.

4. 9N MIN RETENTION IN EITHER DIRECTION

5. TO DETERMINE DIMENSIONS :
N = NUMBER OF POSITIONS PER ROW
EXAMPLE : 8 POS N x 2.54 = 20.32mm

6. UNDERPLATING : 1.27µm Ni MIN

7. R : RETENTION OPTION, OMIT FROM PRODUCT NUMBER IF FEATURE IS NOT APPLICABLE

A : PACKAGING IN TAPE&REEL WITH PICK-UP CAP AS AVAILABLE

8. RoHS COMPATIBLE PRODUCT SPECIFICATIONS

a - PLATING:

- "LF" MEANS THE PRODUCT IS LEAD-FREE, 2µm MINIMUM MATTE TIN OVER 1.27µm MINIMUM NICKEL UNDERPLATE.

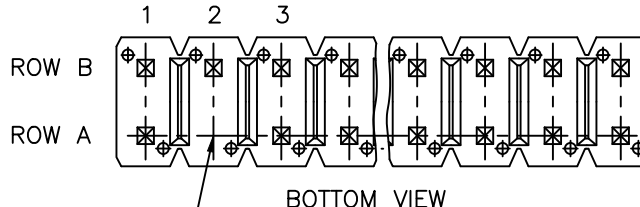
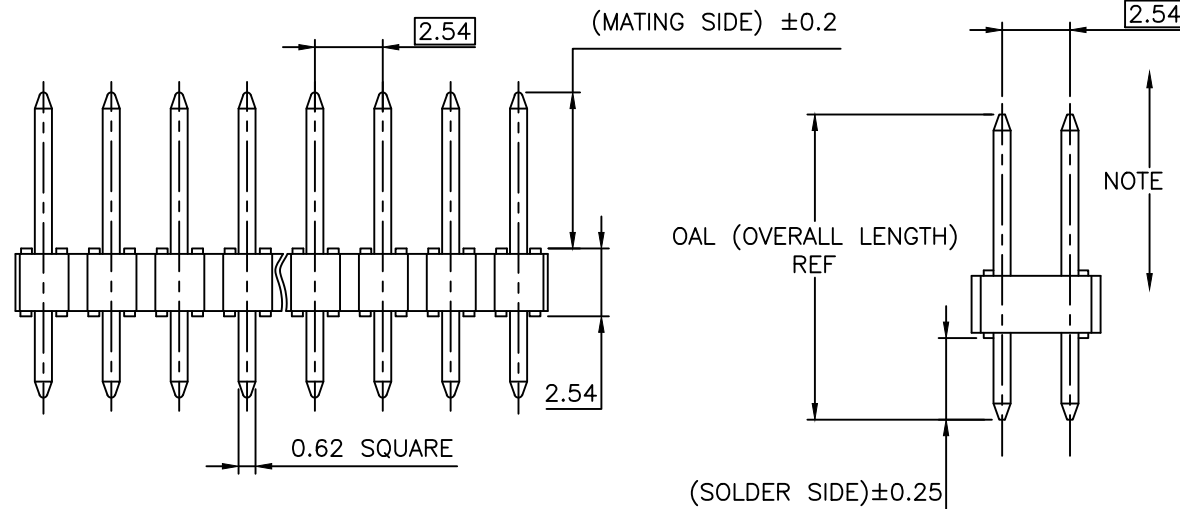
b - MANUFACTURING PROCESS COMPATIBILITY

- THE HOUSING WILL WITHSTAND EXPOSURE TO 260°C ±5°C SOLDER BATH TEMPERATURE FOR 5 SECONDS IN A WAVE SOLDER APPLICATION WITH A 1.6mm MIN THICK CIRCUIT BOARD.

c - LABELING:

- MEETS PACKAGING SPECS AS PER GS-14-920

d - LEGAL STATEMENT: SEE GS-47-0004



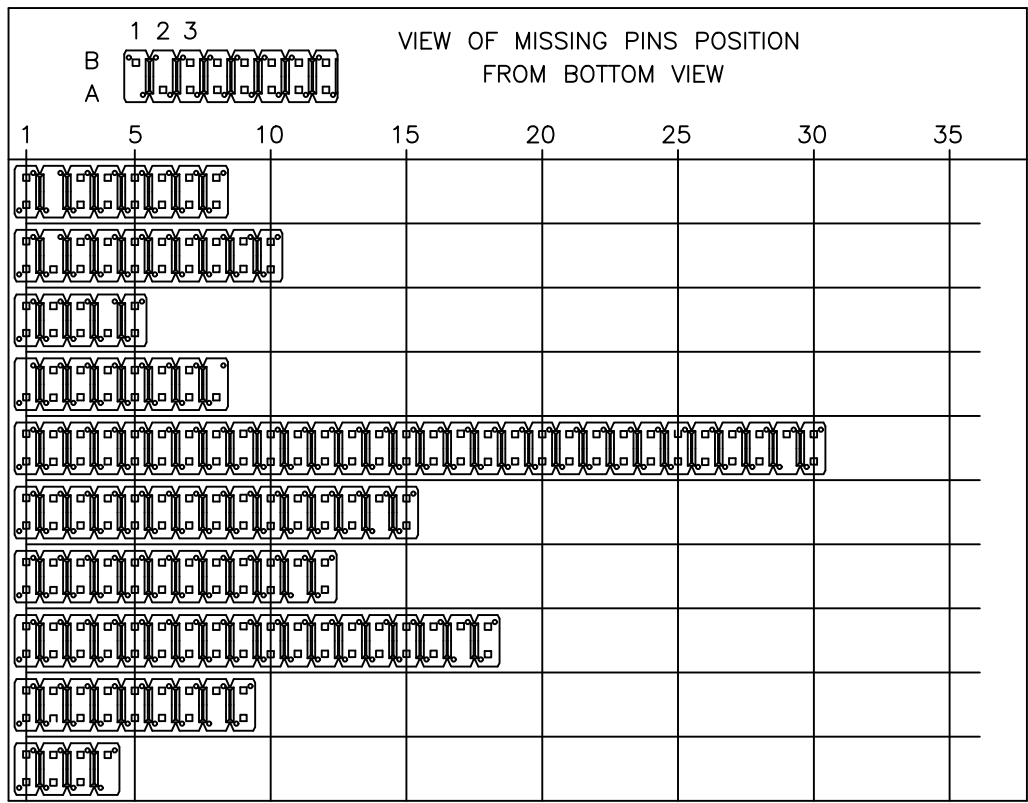
DELETED PIN EXAMPLE

mat'l. code		surface		tolerance		projection		product family								
SEE P/N		ISO 1302 ✓		ISO 406 ISO 1101		mm		BERGSTIK								
ltr	ecn no	dr	date	tolerances unless otherwise specified		mm		title								
BW	F-40013	DDE	23.01.23	angles	linear	.x ±0.3		HEADER STR,DR								
BX	F-47772	DDE	23.03.15			.xx ±0.15		POL DUPLEX 2.54mm.								
						.xxx ±0.05		scale 5:1								
		dr	G LEOTY	91.11.13				dwg no								
		enr	J COMPAGNON	95.12.05				sheet 1 of 10								
		chr	J COMPAGNON					size								
		appd	JMC	95.12.05				77314 A3								
sheet index		revision	BX	AK	AF	AF	AF	AH	AJ	W	M	B	type		CUSTOMER Drawing	
		sheet	1	2	3	4	5	6	7	8	9	10				

Copyright FCI



PIN STYLE	PRODUCT DEFINITION			
	POS	MATING SIDE ±0.2	SOLDER SIDE ±0.25	("OAL") REF
01	2X08	5.72	2.54	10.8
02	2X10	5.84	3.05	11.5
04	2X05	5.72	3.05	11.3
05	2X08	5.84	3.42	11.8
06	2X30	5.72	2.54	10.8
07	2X16	5.72	2.54	10.8
08	2X12	5.72	2.54	10.8
09	2X18	5.72	2.54	10.8
10	2X09	5.72	2.54	10.8
11	2X04	5.72	2.54	10.8



77314-8XXLF	0.38µm Au/GXT	2.0-7.5 Sn MATTE
77314-5XXLF	0.25µm Au/GXT	2.0-7.5 Sn MATTE
77314-4XXLF	2.0-7.5 Sn MATTE	
77314-2XXLF	1.27µm Au	2.0-7.5 Sn MATTE
77314-1XXLF	0.76µm Au/GXT	2.0-7.5 Sn MATTE
77314-1XXSLF	0.76µm Au/GXT	GOLD FLASH
PLATING CODE	CONTACT AREA	REMAINDER
	PLATING THICKNESS OVER 1.27µm Ni	

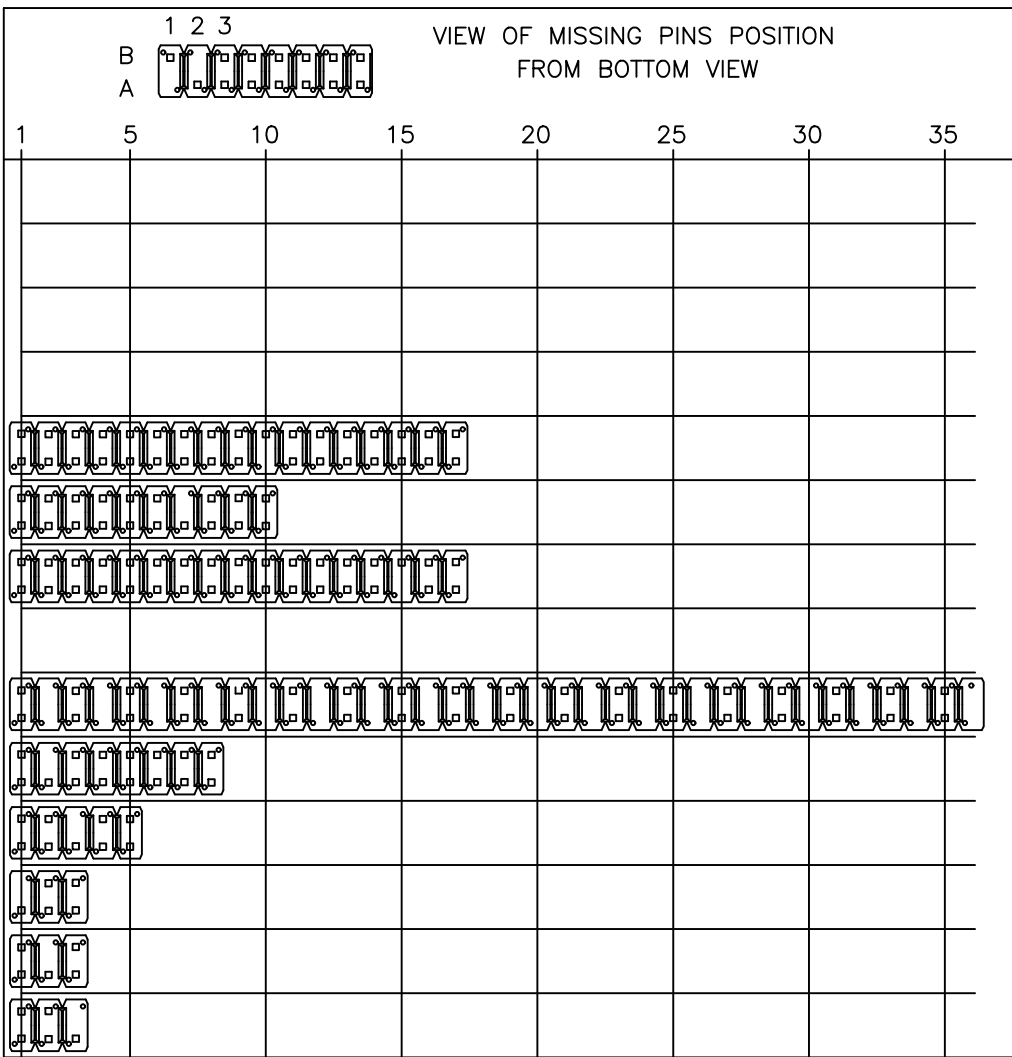
ONLY AVAILABLE UPON REQUEST

mat'l. code		surface	tolerance	projection	product family
		ISO 1302	ISO 406 ISO 1101		BERGSTIK
ltr	ecn no	dr	date	tolerances unless otherwise specified	
AH	F06-0196	LMU	06.06.20	angles linear	
AJ	F08-0148	RTR	08.03.31	mm	
AK	F-40013	DDE	23.01.23	scale 1:1	
		dr	G LEOTY	91.11.13	title HEADER,STR,DR POL DUPLEX 2.54mm
AF	F20197	LMU	02.04.16	enr	
AG	F04-0362	JCO	04.12.10	chr	COMPAGNON J 95.02.27
		appd	JMP	95.02.27	dwg no 77314 sheet 2 of - size A3
sheet index		revision sheet			



Copyright FCI

PIN STYLE	PRODUCT DEFINITION			
	POS	MATING SIDE ±0.2	SOLDER SIDE ±0.25	("OAL") REF
13				
14				
15				
16				
17	2X17	5.72	3.42	10.8
18	2X10	5.72	2.54	10.8
19	2X17	5.72	2.54	10.8
20				
21	2X36	5.72	2.54	10.8
22	2X08	5.72	2.54	10.8
23	2X05	5.72	2.54	10.8
24	2X03	5.72	2.54	10.8
25	2X03	5.72	2.54	10.8
26	2X03	5.72	2.54	10.8

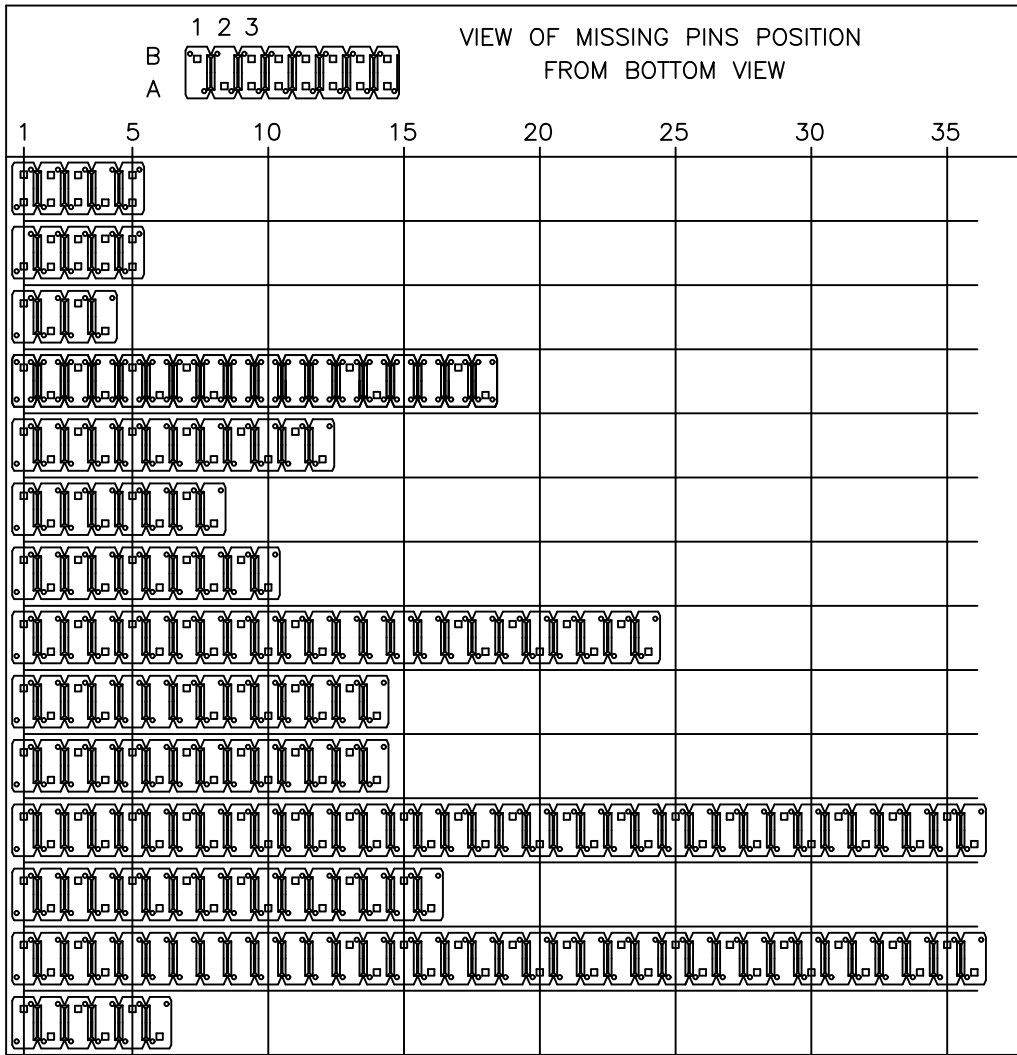


FCIconnect.com

Copyright FCI

mat'l. code		surface ISO 1302 <input checked="" type="checkbox"/>		tolerance ISO 406 ISO 1101		projection 		product family BERGSTIK	
ltr	ecn no	dr	date	tolerances unless otherwise specified		mm 		title HEADER,STR,DR POL DUPLEX 2.54mm	
AB	F40235	JMC	94.02.25	angles	linear	scale 1:1		dwg no 77314	
AC	F30323	JMC	95.02.27					sheet 3 of - size A3	
AD	F10707	LMU	01.12.03					type CUSTOMER Drawing	
AE	F20197	LMU	02.04.16	dr	G LEOTY	91.11.13			
AF	F06-0196	LMU	06.06.20	engr	PHAMVAN JM	95.02.27			
				chr	COMPAGNON J	95.02.27			
				appd	JMP	95.02.27			
sheet index	revision sheet								

PIN STYLE	PRODUCT DEFINITION			
	POS	MATING SIDE ±0.2	SOLDER SIDE ±0.25	("OAL") REF
27	2X05	5.72	2.54	10.8
28	2X05	5.72	2.54	10.8
29	2X04	12.7	5.72	20.96
30	2X18	12.7	5.72	20.96
31	2X12	12.7	5.72	20.96
32	2X08	12.7	5.72	20.96
33	2X10	12.7	5.72	20.96
34	2X24	12.7	5.72	20.96
35	2X14	12.7	5.72	20.96
36	2X14	12.7	5.72	20.96
37	2X36	12.7	5.72	20.96
38	2X16	12.7	5.72	20.96
39	2X36	12.7	5.72	20.96
40	2X06	12.7	5.72	20.96



A

B

C

D

A

B

C

D



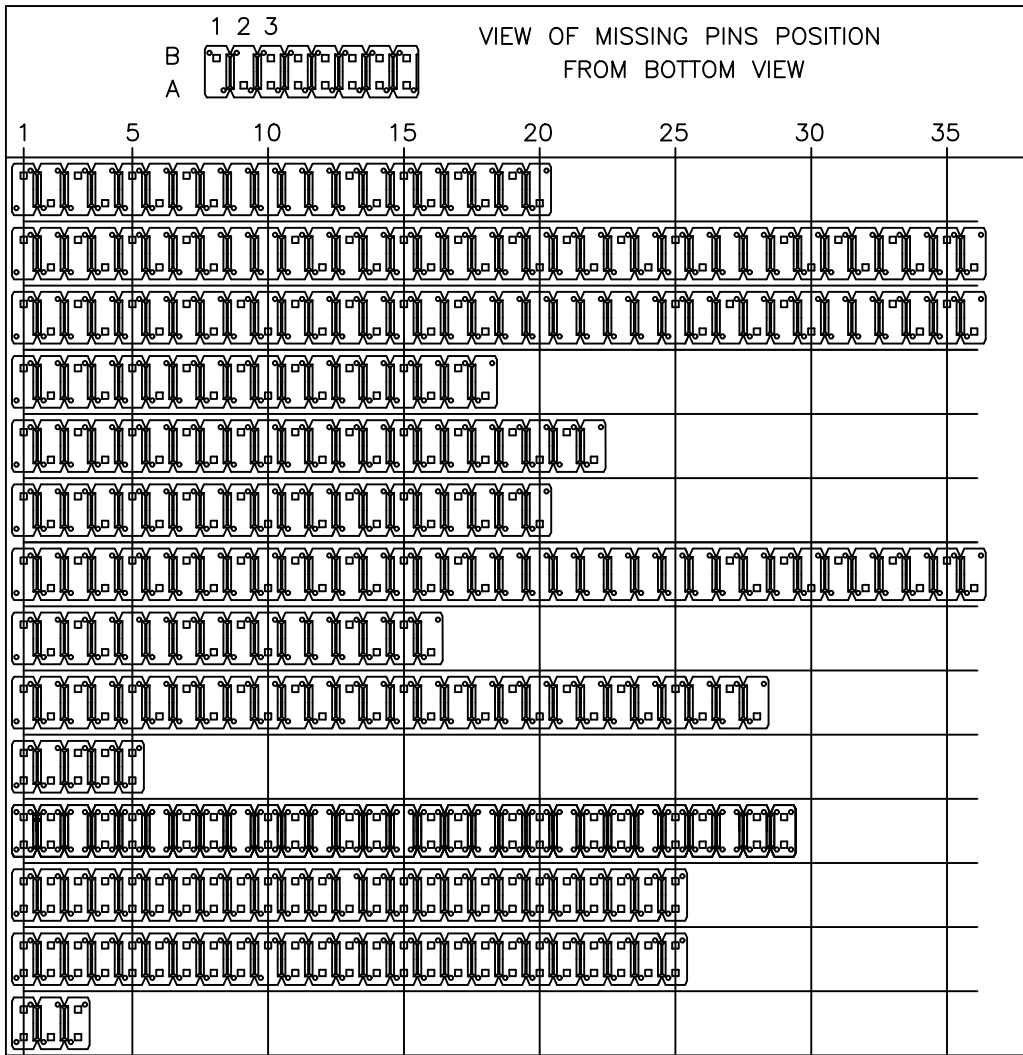
FCIconnect.com

Copyright FCI

mat'l. code		surface ISO 1302 <input checked="" type="checkbox"/> ISO 406 <input type="checkbox"/> ISO 1101 <input type="checkbox"/>		tolerance tolerances unless otherwise specified		projection 		product family BERGSTIK	
ltr	ecn no	dr	date	angles linear		mm 		title HEADER,STR,DR POL DUPLEX 2.54mm	
AB	F40235	JMC	94.02.25			scale 1:1		dwg no 77314	
AC	F30323	JMC	95.02.27					sheet 4 of - size A3	
AD	F10707	LMU	01.12.03					type CUSTOMER Drawing	
AE	F20197	LMU	02.04.16	dr	G LEOTY	91.11.13			
AF	F06-0196	LMU	06.06.20	engr	PHAMVAN JM	95.02.27			
				chr	COMPAGNON J	95.02.27			
				appd	JMP	95.02.27			
sheet index	revision sheet								



PIN STYLE	PRODUCT DEFINITION			
	POS	MATING SIDE ±0.2	SOLDER SIDE ±0.25	("OAL") REF
41	2X20	12.7	5.72	20.96
42	2X36	12.7	5.72	20.96
43	2X36	12.7	5.72	20.96
44	2X18	12.7	5.72	20.96
45	2X22	12.7	5.72	20.96
46	2X20	12.7	5.72	20.96
47	2X36	12.7	5.72	20.96
48	2X16	12.7	5.72	20.96
49	2X28	12.7	5.72	20.96
50	2X05	5.72	2.54	10.8
51	2X29	5.84	3.42	11.8
52	2X25	5.72	2.54	10.8
53	2X25	12.83	3.03	18.4
54	2X03	5.84	3.42	11.8

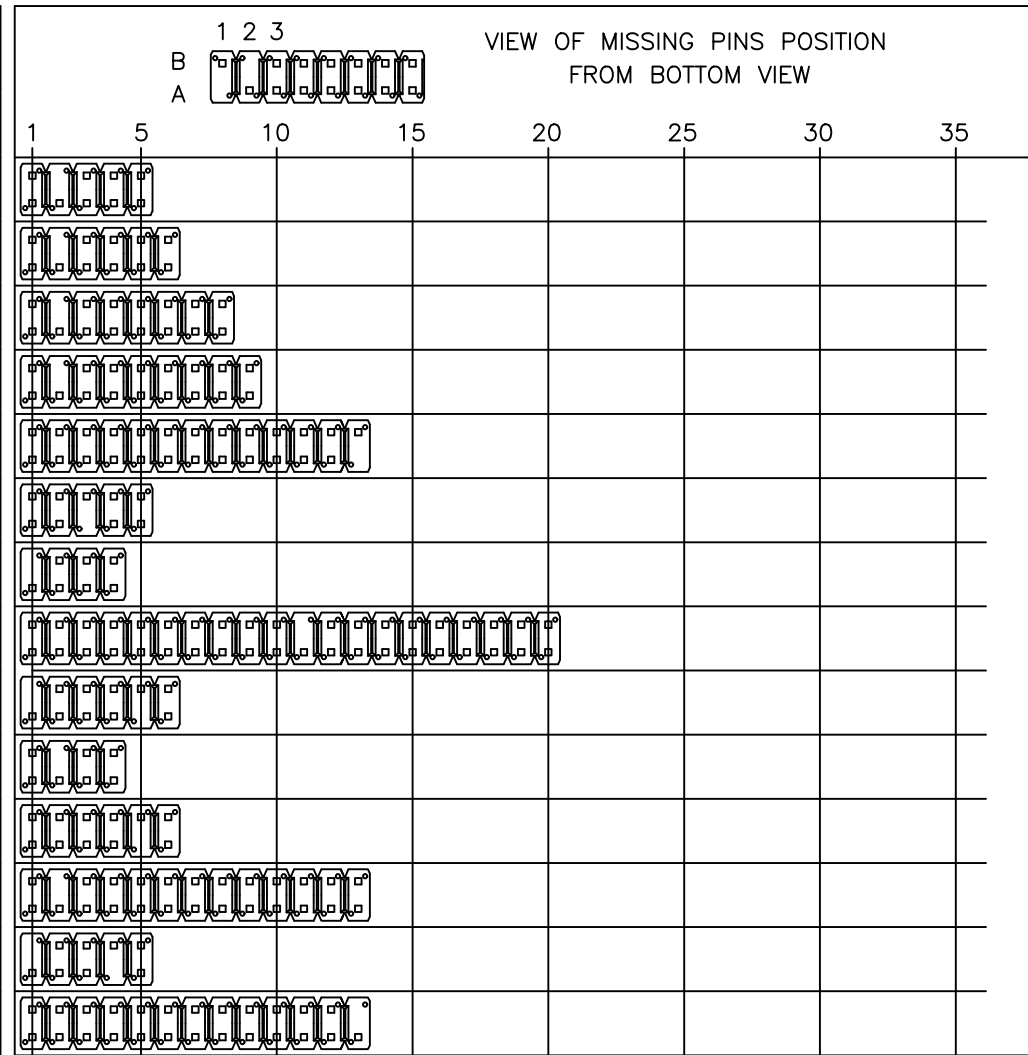


FCIconnect.com

Copyright FCI

mat'l. code		surface ISO 1302 <input checked="" type="checkbox"/> ISO 406 <input type="checkbox"/> ISO 1101 <input type="checkbox"/>		tolerance tolerances unless otherwise specified		projection 		product family BERGSTIK	
ltr	ecn no	dr	date	angles linear		mm 		title HEADER,STR,DR POL DUPLEX 2.54mm	
AB	F40235	JMC	94.02.25			scale 1:1		dwg no 77314	
AC	F30323	JMC	95.02.27					sheet 5 of - size A3	
AD	F10707	LMU	01.12.03					type CUSTOMER Drawing	
AE	F20197	LMU	02.04.16	dr	G LEOTY	91.11.13			
AF	06-0196	LMU	06.06.20	enrg	PHAMVAN JM	95.02.27			
				chr	COMPAGNON J	95.02.27			
				appd	JMP	95.02.27			
sheet index	revision sheet								

PIN STYLE	PRODUCT DEFINITION			
	POS	MATING SIDE ±0.2	SOLDER SIDE ±0.25	("OAL") REF
55	2X05	5.84	3.42	11.8
56	2X06	5.84	3.42	11.8
57	2X08	5.84	3.42	11.8
58	2X09	5.84	3.42	11.8
59	2X13	5.84	3.42	11.8
60	2X05	5.84	3.42	11.8
61	2X04	5.72	2.54	10.8
62	2X20	5.72	2.54	10.8
63	2X06	5.72	2.54	10.8
64	2X04	5.84	3.42	11.8
65	2X06	5.72	2.72	10.8
66	2X13	5.84	3.12	11.5
67	2X05	5.72	2.54	10.8
68	2X13	5.84	3.42	11.8

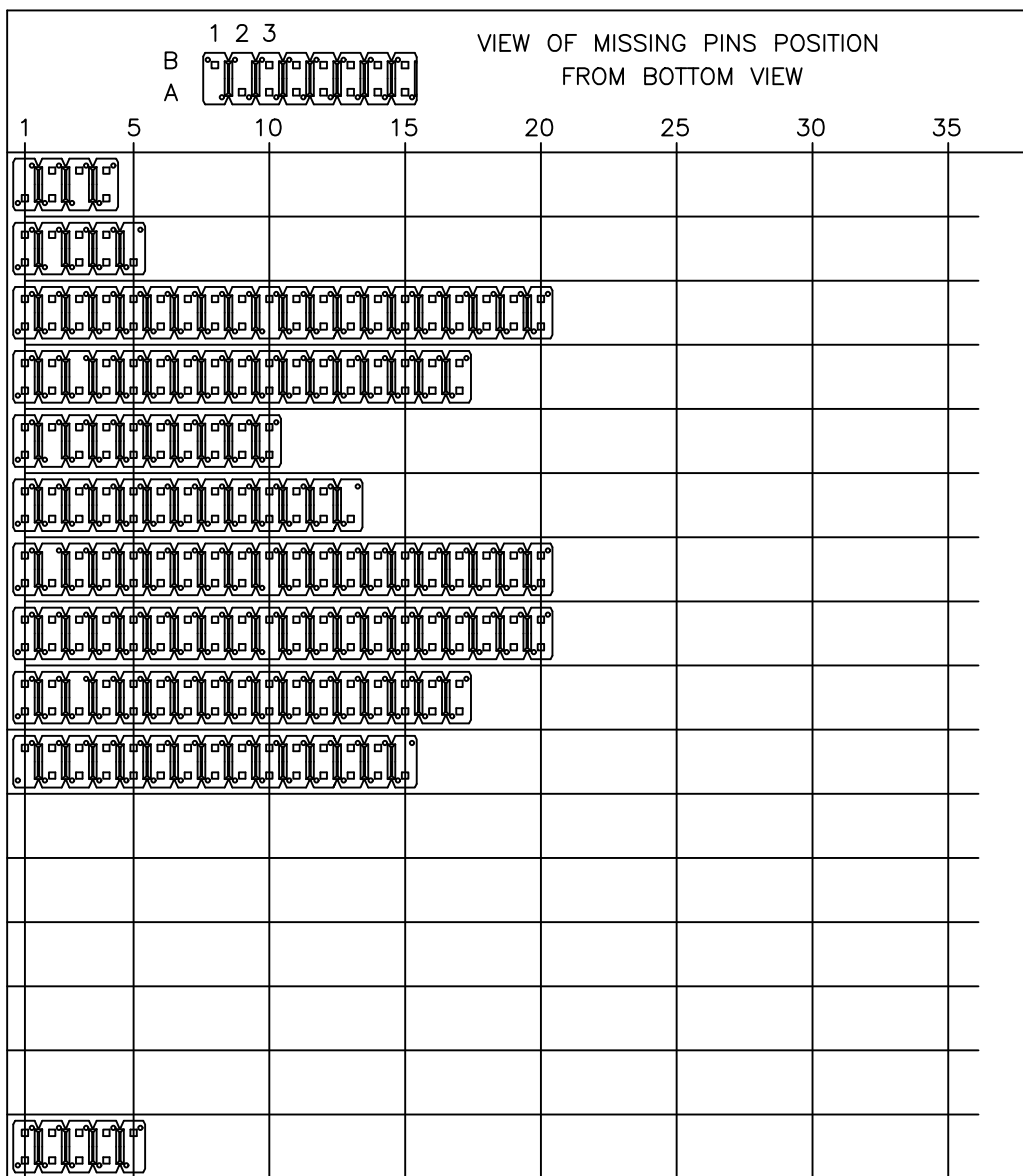


FCIconnect.com

Copyright FCI

mat'l. code		surface ISO 1302 <input checked="" type="checkbox"/>		tolerance ISO 406 ISO 1101		projection 		product family BERGSTIK	
ltr	ecn no	dr	date	tolerances unless otherwise specified		mm 		title HEADER,STR,DR POL DUPLEX 2.54mm	
AB	F40235	JMC	94.02.25	angles	linear	scale 1:1		dwg no 77314	
AC	F30323	JMC	95.02.27					sheet 6 of - size A3	
AD	F70430	JMC	97.06.02					type CUSTOMER Drawing	
AE	F00100	LMU	00.01.11	dr	G LEOTY	91.11.13			
AF	F10707	LMU	01.12.03	engr	PHAMVAN JM	95.02.27			
AG	F20197	LMU	02.04.16	chr	COMPAGNON J	95.02.27			
AH	F06-0196	LMU	06.06.20	appd	JMP	95.02.27			
sheet index	revision								
	sheet								

PIN STYLE	PRODUCT DEFINITION			
	POS	MATING SIDE ±0.2	SOLDER SIDE ±0.25	("OAL") REF
69	2X04	5.72	2.54	10.8
70	2X05	5.72	2.54	10.8
71	2X20	5.72	3.05	11.3
72	2X17	5.72	3.05	11.3
73	2X10	5.72	3.05	11.3
74	2X13	5.72	3.05	11.3
75	2X20	5.72	3.05	11.3
76	2X20	5.72	3.05	11.3
77	2X17	5.72	3.05	11.3
78	2X15	5.84	3.42	11.8
79				
80				
81				
82				
83				
84	2X05	5.72	3.05	11.3

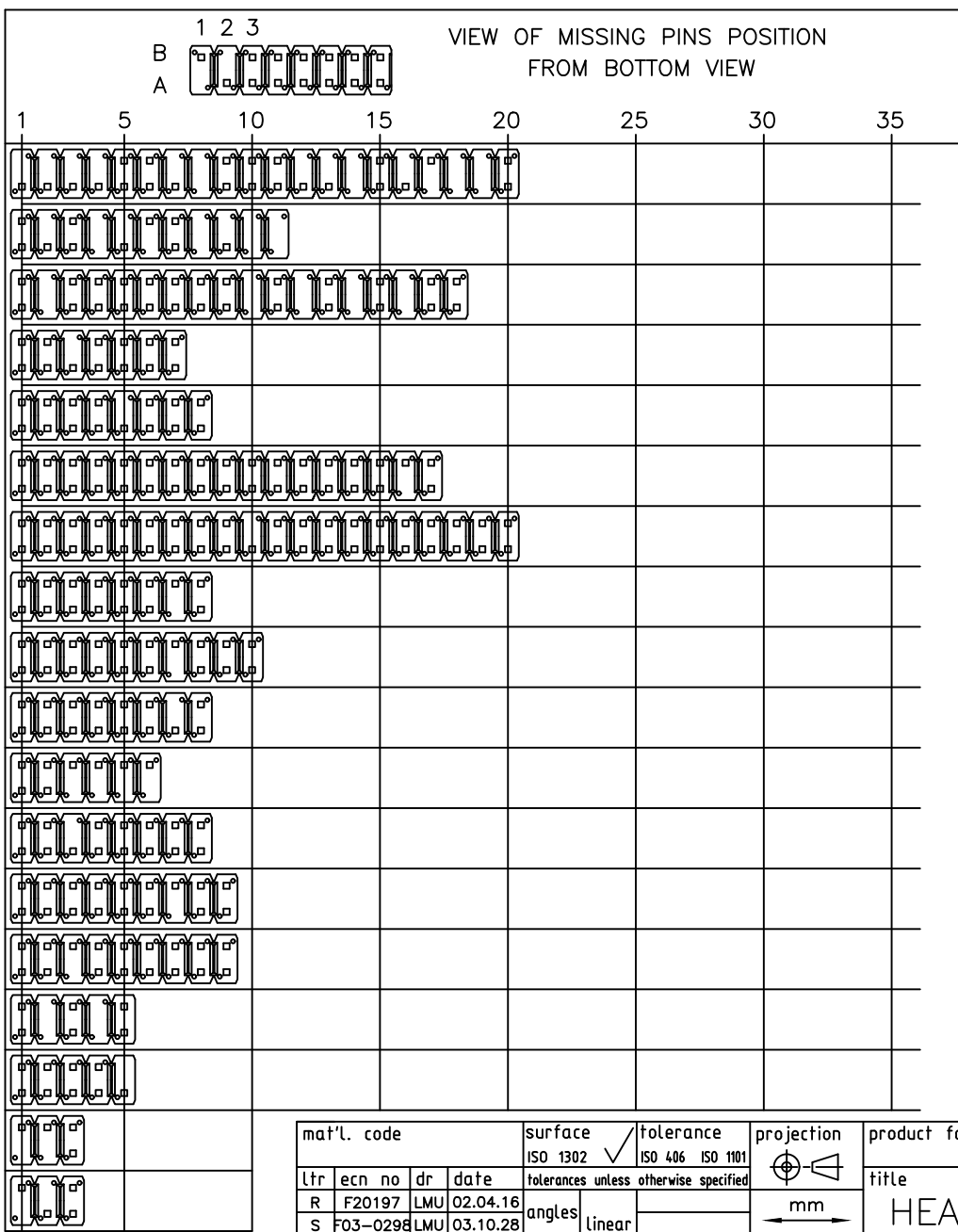


FCIconnect.com

Copyright FCI

mat'l. code		surface ISO 1302 <input checked="" type="checkbox"/>		tolerance ISO 406 ISO 1101		projection 		product family BERGSTIK		
ltr	ecn no	dr	date	tolerances unless otherwise specified		mm 		title HEADER,STR,DR POL DUPLEX 2.54mm		
AJ	F06-0196	LMU	06.06.20	angles	linear	scale 1:1		dwg no 77314		
AD	F50246	JMC	95.04.03					sheet 7 of - size A3		
AE	F50625	JMC	95.08.26	dr	G LEOTY	91.11.13				
AF	F50916	JMC	95.12.05	engr	COMPAGNON J	95.12.05				
AG	F10707	LMU	01.12.03	chr						
AH	F20197	LMU	02.04.16	appd	JMC	95.12.05		type CUSTOMER Drawing		
sheet	revision									
index	sheet									

PIN STYLE	PRODUCT DEFINITION			
	POS	MATING SIDE ±0.2	SOLDER SIDE ±0.25	("OAL") REF
85	2X20	5.72	2.54	10.8
86	2X11	5.72	2.54	10.8
87	2X18	5.72	3.05	11.3
88	2X07	5.72	3.05	11.3
89	2X08	5.72	3.05	11.3
90	2X17	6.6	2.66	11.82
91	2X20	6.75	2.90	12.2
92	2X08	5.72	3.05	11.3
93	2X10	5.72	2.54	10.8
94	2X08	5.84	3.05	11.5
95	2X06	5.70	2.93	11.17
96	2X08	8.06	3.00	13.60
97	2X09	5.84	3.05	11.50
98	2X09	5.84	3.05	11.50
99	2X05	15.36	3.05	20.95
AA	2X05	5.90	2.36	10.80
AB	2X03	9.20	3.05	14.80
AC	2X03	9.20	3.05	14.80

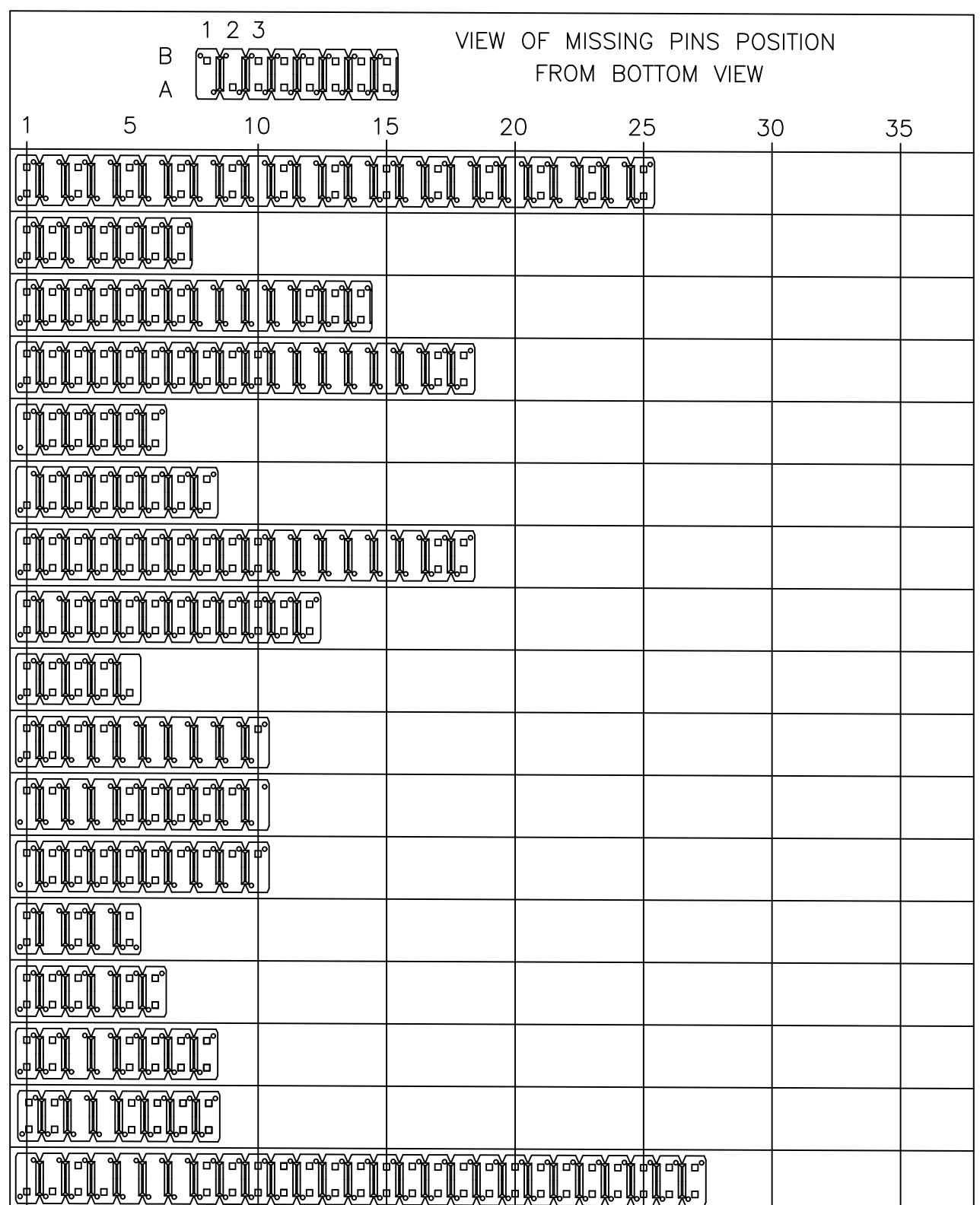


mat'l. code		surface ISO 1302	tolerance ISO 406 ISO 1101	projection 	product family BERGSTIK
ltr	ecn no	dr	date	tolerances unless otherwise specified	title
R	F20197	LMU	02.04.16	angles linear	HEADER,STR,DR
S	F03-0298	LMU	03.10.28		POL DUPLEX 2.54mm
T	F04-0137	LMU	04.02.12		scale N/A
U	F06-0117	LMU	06.01.30	dr O. MATHEVON 96.08.28	dwg no
V	F06-0196	LMU	06.06.20	enr J COMPAGNON 96.08.28	sheet 8 of
W	F09-0218	LMU	09.11.16	chr J COMPAGNON 96.08.28	size
				appd JMC 96.08.28	77314
					A3
sheet index	revision sheet				type CUSTOMER Drawing



Copyright FCI

PIN STYLE	PRODUCT DEFINITION			
	POS	MATING SIDE ±0.2	SOLDER SIDE ±0.25	("OAL") REF
AD	2X25	7.75	3.05	13.35
AE	2X07	5.72	3.05	11.30
AF	2X14	5.84	2.41	10.80
AG	2X18	5.72	3.05	11.30
AH	2X06	6.75	2.90	12.20
AJ	2X08	5.84	3.42	11.80
AK	2X18	7.00	3.05	12.59
AL	2X12	5.84	3.05	11.43
AM	2X05	5.84	3.05	11.43
AN	2X10	10.95	3.05	16.55
AP	2X10	10.95	3.05	16.55
AR	2X10	10.95	3.05	16.55
AS	2X05	5.84	3.05	11.43
AT	2X06	15.76	3.50	21.80
AU	2X08	15.76	3.50	21.80
AV	2X08	11.76	3.50	17.80
AW	2X27	3.35	2.71	8.60

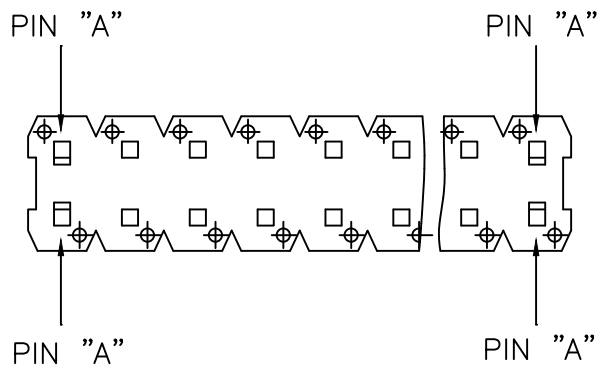
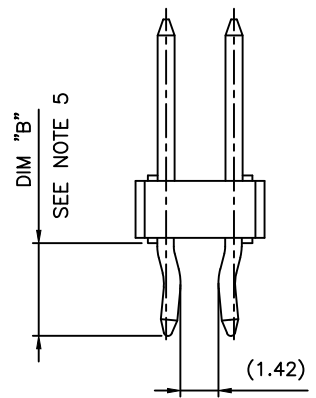
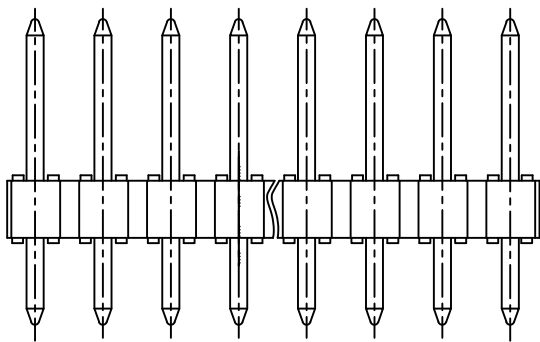
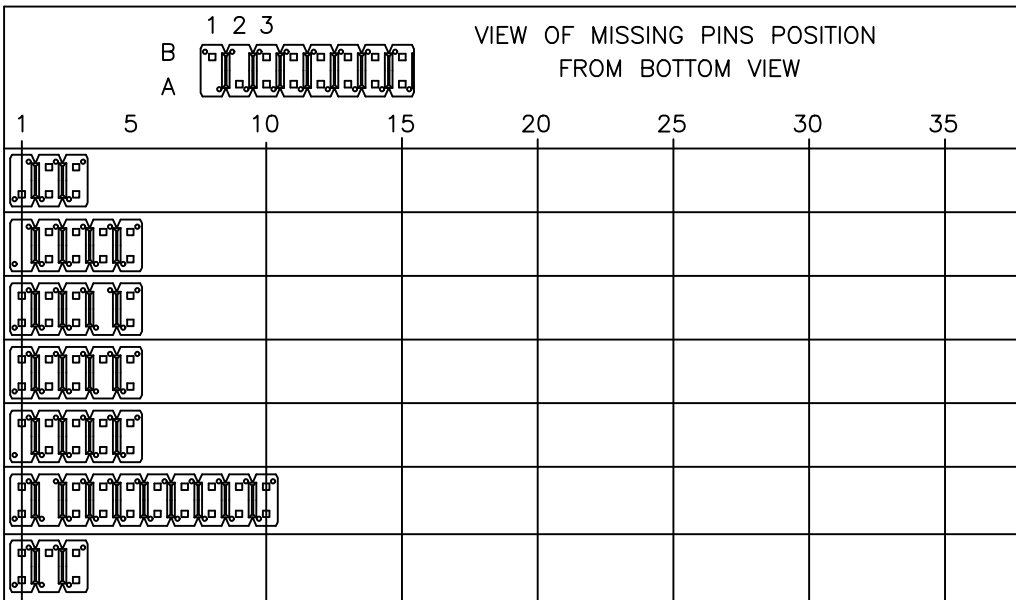


FCIconnect.com

Copyright FCI

mat'l. code		surface	tolerance	projection	product family
		ISO 1302	ISO 406 ISO 1101		BERGSTIK
ltr	ecn no	dr	date	title	
L	F-40013	DDE	23.01.23	HEADER,STR,DR	
M	F-47772	DDE	23.03.15	POL DUPLEX 2.54mm	
		angles	linear	mm	scale N/A
		dr	J COMPAGNON	95.08.26	dwg no
		enr	JMC	95.08.26	sheet 9 of
		chr			size
		appd	JMC	95.08.26	77314
					A3
sheet index		revision			type
		sheet			CUSTOMER Drawing

PIN STYLE	PRODUCT DEFINITION			
	POS	MATING SIDE ±0.2	SOLDER SIDE ±0.25	("OAL") REF
AX	2X03	5.84	3.05	11.43
AY	2X05	5.86	2.00	10.40
BA	2X06	6.00	2.95	11.50
BB	2X05	7.70	3.00	13.24
BC	2X05	7.70	3.00	13.24
BD	2X10	7.70	3.00	13.24
BE	2X03	7.70	3.00	13.24



NOTES:

- 1 - PART NUMBER 77314-YXX
- 2 - PINS "A" AND "B" USED FOR RETENTION.
- 3 - DIRECTION OF RETENTION SHOWN BY ARROWS.
- 4 - KINKED LEGS LOCATION CAN BE MOVED IF A PIN IS MISSING.
- 5 - RETENTION VERSION ONLY AVAILABLE WHEN DIM"B" IS BETWEEN 3 AND 3.5mm.
- 6 - 2 AND 3 POSN KINKED HEADER ARE NOT AVAILABLE.

"R" INDICATES A RETENTION HEADER.
 "T" INDICATES HEADERS PACKED IN TUBES

mat'l. code		surface ISO 1302 <input checked="" type="checkbox"/> ISO 406 <input type="checkbox"/> ISO 1101 <input type="checkbox"/>		tolerance tolerances unless otherwise specified		projection mm		product family BERGSTIK	
ltr	ecn no	dr	date	angles		linear		title HEADER,STR,DR POL DUPLEX 2.54mm	
A	F-40013	DDE	23.01.23					dwg no	
B	F-47772	DDE	23.03.15					sheet 10 of	
sheet index		revision sheet		dr		L.MULIN		10.04.30	
				enr		JMC		10.04.30	
				chr					
				appd		JMC		10.04.30	
								type	
								CUSTOMER Drawing	



Copyright FCI