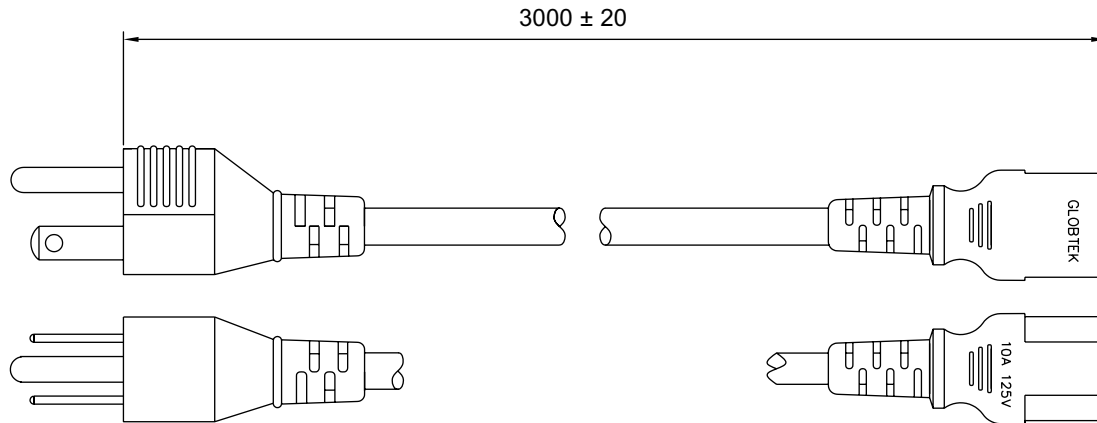
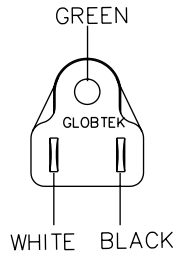


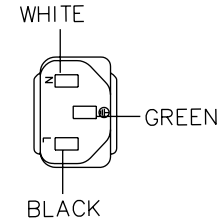
PROPRIETARY INFORMATION:
 PROPRIETARY OF GLOBTEK, INC. ANY REPRODUCTION, DISCLOSURE OR USE OF THIS DRAWING, IN WHOLE OR IN PART, IS HEREBY PROHIBITED EXCEPT AS SPECIFIED IN WRITING BY GLOBTEK, INC.

REVISION			
REV	DESCRIPTION	DATE	APPROVED
A	INITIAL RELEASE	06/22/00	PS
B	UPDATE TO NEW FORMAT, RFS. 8129, EM	03/17/06	BS

'A'



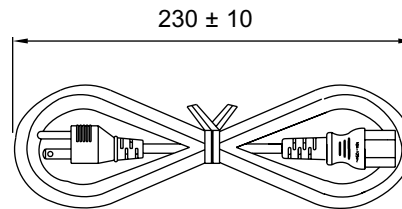
'B'



GENERAL SPECIFICATIONS:

RATING: 10A / 125V AC
 CABLE TYPE / SIZE: SJT, 18 AWG X 3, SHIELDED
 TEMPERATURE RATING: 60° C MIN.
 CONDUCTOR COLORS: BLACK / WHITE / GREEN
 CABLE JACKET COLOR: BLACK
 OVERALL LENGTH (L): 3000 ± 20 mm
 CABLE OUTER DIAMETER: 8.0 ± 0.1mm
 END 'A' TERMINATION: NEMA 5-15P
 END 'B' TERMINATION: IEC 320 / C13
 APPROVALS PLUG: UL, CSA
 APPROVALS CABLE: UL, CSA OR cUL
 APPROVALS CONNECTOR: UL, CSA OR cUL

PACKING:
 HANKING



NOTES:

1. CORD, PLUG AND CONNECTOR MUST BE MARKED WITH APPROVAL SYMBOLS OR FILE NUMBER(S).



DASH NO.	PART NO	REV.	DESCRIPTION	NOTES
TABULATION BLOCK				
		TOLERANCES: DECIMALS ANGULAR .xx +/- 0.1 +/- 1° .xxx +/- .005		GlobTek, Inc. 186 Veterans Dr. Northvale, NJ 07647 www.globtek.com Tel. 201-784-1000 Fax 201.784.0111
		MILLIMETERS ANGULAR .xx +/- 0.3 +/- 1° .xxx +/- .013		
INIT.BY: EM	DATE: 03/17/06	DWG TITLE: NORTH AMERICAN DETACHABLE CORDSET		
DRAWN: NF	DATE: 03/17/06	FSCN No.: G, CC	SIZE A	MODEL: N / A
APRVD: DMR	DATE: 03/17/06	SCALE: NONE	PART NO: 3021889F10701	REV. B
				SHEET 1/1

Foot Note:
 Globtek Inc. will not be liable for the safety and performance of these power product if unauthorized access and repair occurs. End user should consult the applicable UL, CSA or EN Standards for proper installation instruction.

Limitation of Use:
 Globtek product are not authorized for use as mission critical components in life support, hazardous environment, nuclear or aircraft applications without prior written approval from the CEO of Globtek Inc.

Contents of this document are subject to change without prior notice