


HC-EMV-KV-M25(9-16,5)

Order No.: 1690516

The illustration shows version HC-EMV-KV-M20

<http://eshop.phoenixcontact.de/phoenix/treeViewClick.do?UID=1690516>

EMC screw connection up to 5 bar, thread length: 7.5 mm, cable diameter: 9.0 - 16.5 mm, WAF 29, screw connection: M25

Commercial data	
GTIN (EAN)	 4 017918 822583
sales group	D290
Pack	25 pcs.
Customs tariff	74199990
Catalog page information	Page 521 (PC-2009)

Product notesWEEE/RoHS-compliant since:
01/16/2007

<http://www.download.phoenixcontact.com>
Please note that the data given here has been taken from the online catalog. For comprehensive information and data, please refer to the user documentation. The General Terms and Conditions of Use apply to Internet downloads.

Technical data

General data	
Cable gland material	Nickel-plated brass
Seal material	Neoprene
Material, O-ring	NBR
Wrench size, union nut	29 mm
Wrench size, support	29 mm

Thread type connection side 1	M25
Length of the connecting thread	7.50 mm
External cable diameter	9 mm ... 16.5 mm
Conductor sealing range	9.00 mm ... 16.50 mm
Tightening torque, union nut	10.00 Nm
Degree of protection	IP68, to 5 bar
Ambient temperature (operation)	-20 °C ... 100 °C

Certificates / Approvals

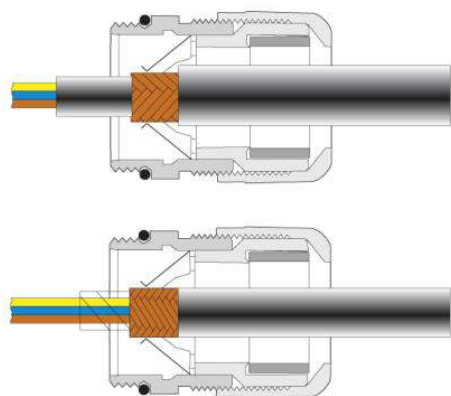


Certification

GOST

Diagrams/Drawings

Functional drawing



Assembly instructions:

Method 1

Slit the outer sheath after approximately 15 mm, but do not remove it. Guide the cable through the screw connection and then remove the outer sheath. Now withdraw the cable until a connection is established between the conductor shield and the contact spring.

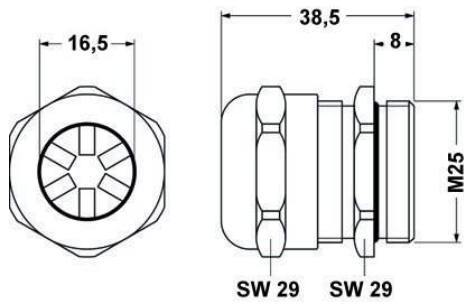
Method 2

Push the braided shield back approximately 15 - 20 mm over the outer sheath. Insert the cable into the screw connection until a connection is established between the conductor shield and the contact spring.

Method 3

Uncover about 10 mm of the braided shield and guide the cable through the screw connection until a connection is established between the conductor shield and the contact spring.

Dimensioned drawing



Address

PHOENIX CONTACT Deutschland GmbH
Flachmarktstr. 8
32825 Blomberg, Germany
Phone +49 5235 3 12000
Fax +49 5235 3 41200
<http://www.phoenixcontact.de>



© 2010 Phoenix Contact
Technical modifications reserved;