



MADE IN THE USA

Product Description:

- Face Mask Dispenser - Earloop
- Holds one box of earloop face masks
- Two sets of keyholes for dual position wall mounting
- White Powder-Coated Steel

Primary Area for Product Usage:

- Anywhere face masks are needed

Dispenses:

- Box(es) no larger than 7.51"W x 4.00"H x 4.00"D (19.1cm x 10.2cm x 10.2cm)
- Box(es) no smaller than 7.25"W x 3.75"H x 3.75"D (18.4 cm x 9.5 cm x 9.5 cm)

Package Specifications:

- Package Qty 12 per case
- 14"W x 12"H x 9"D (35.6 cm x 30.5 cm x 21.6 cm)
- 14.0 lbs (6.4 kg) - approximated

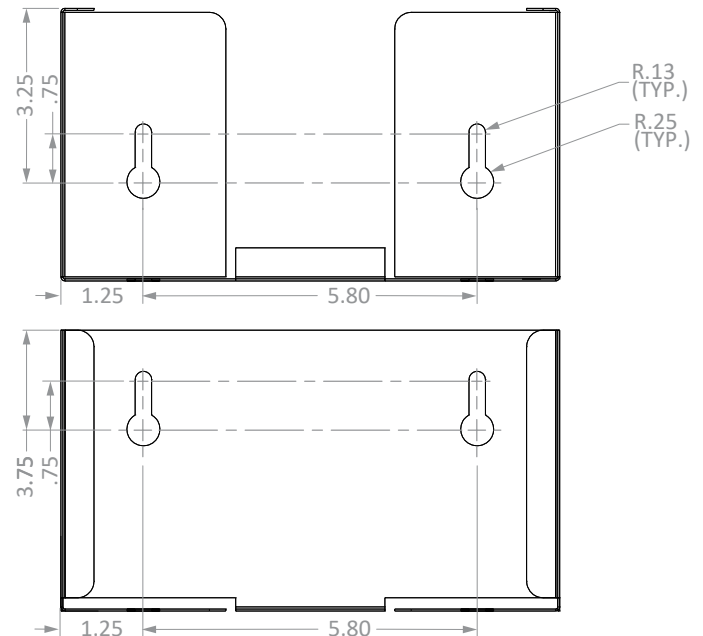
Product Specifications (overall external dimensions):

- 7.56"W x 4.25"H x 4.13"D (19.2 cm x 10.8 cm x 10.5 cm)
- 0.8 lb (0.3 kg) - approximated

Mounting Specifications:

Related Products (each sold separately):

- FB-021: Face Mask Dispenser - Tie (shown below)
- FB-037: Face Mask Dispenser - Earloop
- FB-090: Face Mask Dispenser - Shield

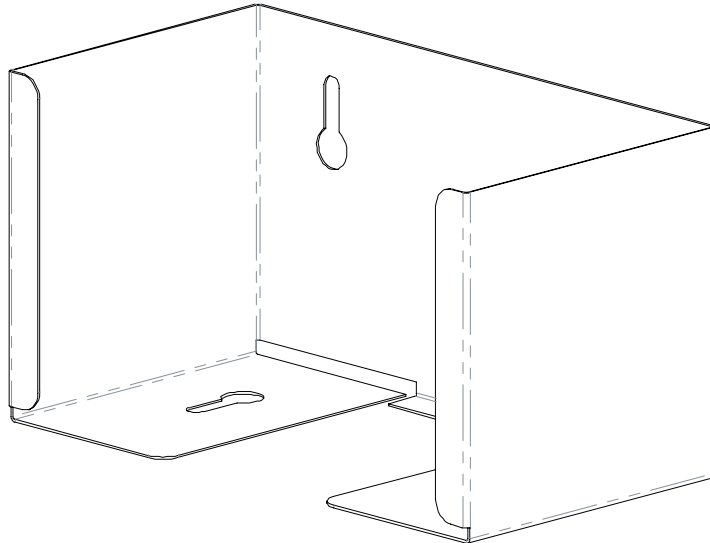




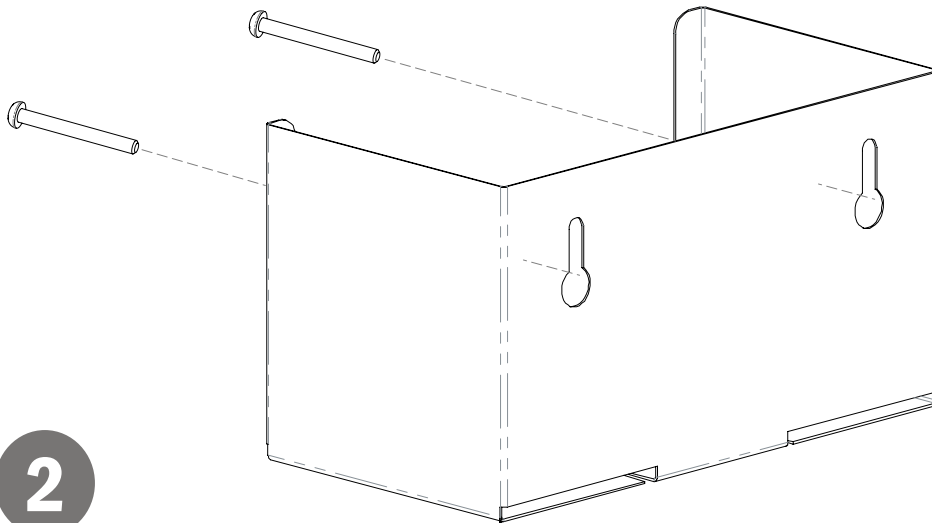
Installation

Always mount dispensers securely *prior* to loading with product.

- Mountable in two directions, dispenser is designed for wall mounting or inside a cabinet.



- Mount securely to a wall with screws approved and supplied by building maintenance.



Parts included:

- Dispenser

Tools Required:

- No tools required to assemble dispenser

Care and Construction

Powder-Coated Steel

Material Characteristics

Designed for Long-Term, Heavy-Duty Applications

Our steel dispensers and stands are coated with polyester powders which makes them highly resistant to corrosion.

Powder-coated steel is ideal for dispensers used in a healthcare or an industrial setting because it is impact resistant and is not effected by extremes in temperature.

Dispensers and stands made of powder-coated steel are both attractive and functional, providing years of service.

Care and Cleaning

For best results, clean by washing the surface with a diluted solution of a mild, non-abrasive detergent in cold or warm water and a non-abrasive cloth. Standard hospital cleaning supplies can be used.

Dry with a soft cloth. Do not use any solvent-based materials, abrasives (e.g. Scotch-brite, steel wool), or apply excessive force during cleaning.