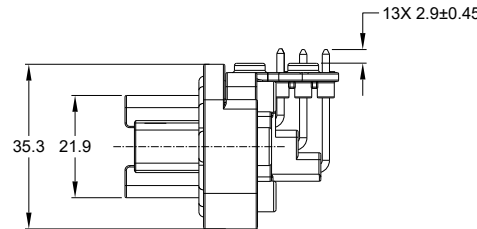
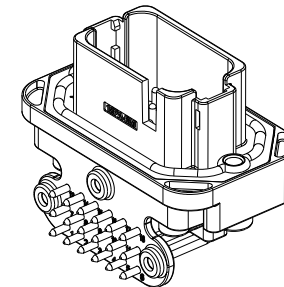
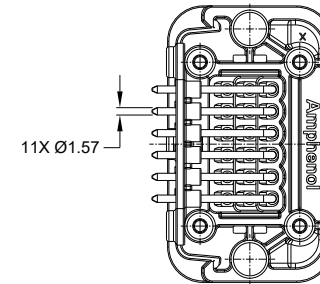
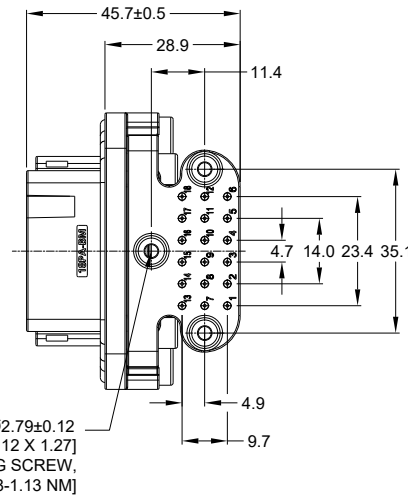
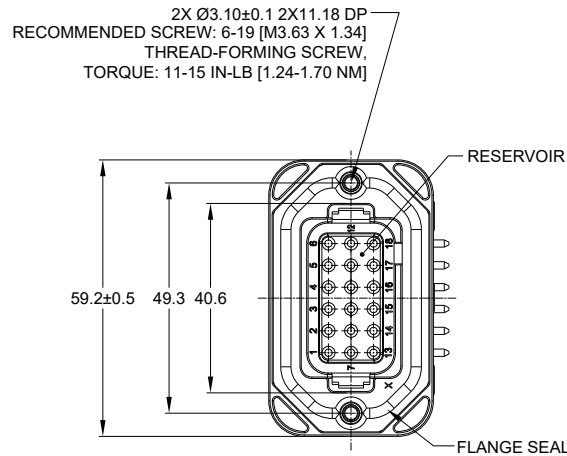


REVISIONS					
REV	ECO	DESCRIPTION	DATE	BY	APPR
A1	--	RELEASE NEW PRODUCT	17AUG20	ZENIN	TOMMY
A2	--	UPDATE THE PART NUMBERS AND IP RATING	08OCT21	ZENIN	TOMMY

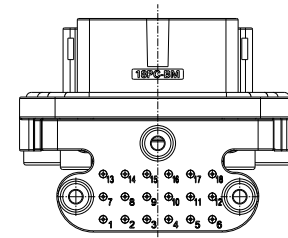
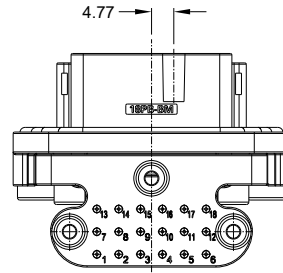
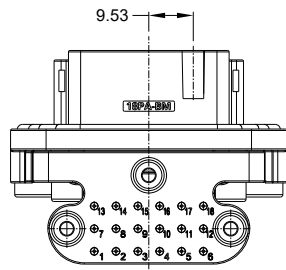


NOTES: UNLESS OTHERWISE SPECIFIED

- MATERIAL:  
HOUSING: THERMOPLASTIC; COLOR: SEE P/N CHART  
SEAL: SILICONE RUBBER  
CONTACT: COPPER ALLOY  
PIN SPACER: THERMOPLASTIC; COLOR: BLACK
- MODIFICATIONS: FLANGE, PCB MOUNT, RIGHT ANGLE
- SPECIFICATIONS:  
3.1 CURRENT RATING: 13AMPS  
3.2 OPERATING TEMPERATURE: -55°C TO +125°C  
3.3 DIELECTRIC WITHSTANDING VOLTAGE: LESS THAN 2 MILLIAMPS CURRENT LEAKAGE @ 1500 VOLTS AC.  
3.4 INSULATION RESISTANCE: 1000 MEGOHMS MIN @ 25°C.  
3.5 MOISTURE RESISTANCE:  
IP68(1M OF WATER FOR A PERIOD OF 24 HOURS , MATED CONDITION)  
IP69K(MATED CONDITION)  
3.6 MATING CYCLE DURABILITY: 100 CYCLES  
3.7 RoHS COMPLIANT
- MATING PART: AT16-18S\* PLUG  
(\* = MODIFICATIONS)
- ALL DIMENSIONS ARE FOR REFERENCE USE ONLY.
- POTTED CONNECTORS SPECIFIED FOR UP TO 5 P.S.I. APPLICATIONS.

SEE P/N CHART		DESCRIPTION		ITEM
QUANTITY	PART NUMBER	MATERIALS LIST		
UNLESS OTHERWISE SPECIFIED		SIGNATURES		DATE
1) All dimensions are in metric (mm). 2) Tolerances are as follows: 1 PL DEC ±0.30 2 PL DEC ±0.15 3 PL DEC ±0.08		DRAWN: ZENIN,DENG		08OCT21
3) Note reference =		CHECKED: ORION,LI		09OCT21
MATERIAL SPECIFICATIONS:		APPROVAL: TOMMY,XIE		10OCT21
PROCESS SPECIFICATIONS:		CUSTOMER:		
NEXT ASSY:		THIS DRAWING IS SUPPLIED FOR INFORMATION ONLY. DESIGN FEATURES, SPECIFICATIONS AND PERFORMANCE DATA SHOWN HEREON ARE THE PROPERTY OF THE AMPHENOL CORPORATION. NO RIGHTS OF REPRODUCTION ARE IMPLIED. ALL DIMENSIONS ARE SUBJECT TO NORMAL MANUFACTURING VARIATIONS.		
		Sine Systems - www.amphenol-sine.com 44724 Morley Drive Clinton Township, MI 48036		
		BOARDLOCK PCB MOUNT RECEPTACLE, 18PIN RA FLANGE, AT SERIES		
SIZE	TYPE	DWG NO.	REVISION	
B	C-	AT13-18PX-BMXXXX	A2	
SCALE:	NONE		SHEET	1 OF 3

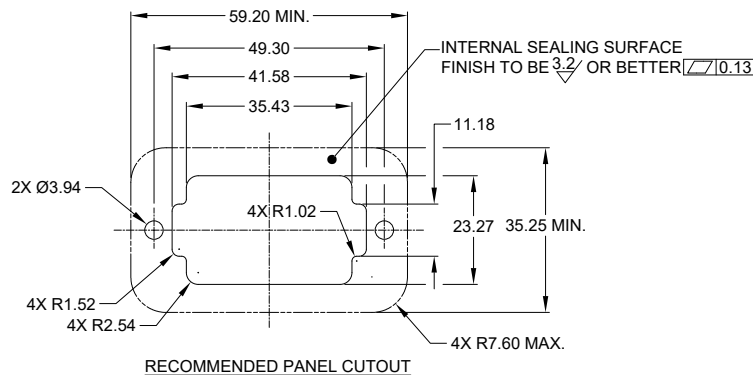
REVISIONS					
REV	ECO	DESCRIPTION	DATE	BY	APPR
A1	--	RELEASE NEW PRODUCT	17AUG20	ZENIN	TOMMY
A2	--	UPDATE THE PART NUMBERS AND IP RATING	08OCT21	ZENIN	TOMMY



A KEY P/N CHART			
CONTACT PLATING	COLOR OF HOUSING	POTTING OR NOT IN RESERVOIR	PART NUMBER
GOLD	GRAY	NO POTTING	AT13-18PA-BM01GY
GOLD	BLACK	NO POTTING	AT13-18PA-BM01BK
GOLD	GRAY	POTTING	AT13-18PA-BM02GY
GOLD	BLACK	POTTING	AT13-18PA-BM02BK
TIN	GRAY	NO POTTING	AT13-18PA-BM03GY
TIN	BLACK	NO POTTING	AT13-18PA-BM03BK
TIN	GRAY	POTTING	AT13-18PA-BM04GY
TIN	BLACK	POTTING	AT13-18PA-BM04BK

B KEY P/N CHART			
CONTACT PLATING	COLOR OF HOUSING	POTTING OR NOT IN RESERVOIR	PART NUMBER
GOLD	BLACK	NO POTTING	AT13-18PB-BM01BK
GOLD	BLACK	POTTING	AT13-18PB-BM02BK
TIN	BLACK	NO POTTING	AT13-18PB-BM03BK
TIN	BLACK	POTTING	AT13-18PB-BM04BK

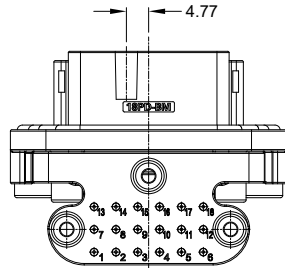
C KEY P/N CHART			
CONTACT PLATING	COLOR OF HOUSING	POTTING OR NOT IN RESERVOIR	PART NUMBER
GOLD	GREEN	NO POTTING	AT13-18PC-BM01GN
GOLD	BLACK	NO POTTING	AT13-18PC-BM01BK
GOLD	GREEN	POTTING	AT13-18PC-BM02GN
GOLD	BLACK	POTTING	AT13-18PC-BM02BK
TIN	GREEN	NO POTTING	AT13-18PC-BM03GN
TIN	BLACK	NO POTTING	AT13-18PC-BM03BK
TIN	GREEN	POTTING	AT13-18PC-BM04GN
TIN	BLACK	POTTING	AT13-18PC-BM04BK



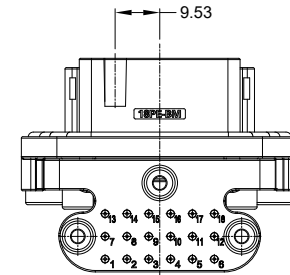
RECOMMENDED PANEL CUTOUT

SEE P/N CHART		DESCRIPTION	
QUANTITY	PART NUMBER	DESCRIPTION	ITEM
		<b>MATERIALS LIST</b>	
UNLESS OTHERWISE SPECIFIED: 1) All dimensions are in metric(mm). 2) Tolerances are as follows: 1 PL DEC ±0.30 Fractions ±1/64 2 PL DEC ±0.15 Angles ±1° 3 PL DEC ±0.08 3) Note reference =		<b>Amphenol</b>	
SIGNATURES DATE DRAWN: ZENIN,DENG 08OCT21 CHECKED: ORION,LI 09OCT21 ENGINEER: APPROVAL: TOMMY,XIE 10OCT21		Sine Systems - www.amphenol-sine.com 44724 Morley Drive Clinton Township, MI 48036	
MATERIAL SPECIFICATIONS:		<b>BOARDLOCK PCB MOUNT RECEPTACLE,18PIN RA FLANGE,AT SERIES</b>	
PROCESS SPECIFICATIONS:			
NEXT ASSY:			
THIS DRAWING IS SUPPLIED FOR INFORMATION ONLY. DESIGN FEATURES, SPECIFICATIONS AND PERFORMANCE DATA SHOWN HEREON ARE THE PROPERTY OF THE AMPHENOL CORPORATION. NO RIGHTS OF REPRODUCTION ARE IMPLIED. ALL DIMENSIONS ARE SUBJECT TO NORMAL MANUFACTURING VARIATIONS.		SIZE: <b>B C-</b>	TYPE: <b>AT13-18PX-BMXXXX</b>
		DWG NO: <b>AT13-18PX-BMXXXX</b>	REVISION: <b>A2</b>
		SCALE: <b>NONE</b>	SHEET <b>2</b> OF <b>3</b>

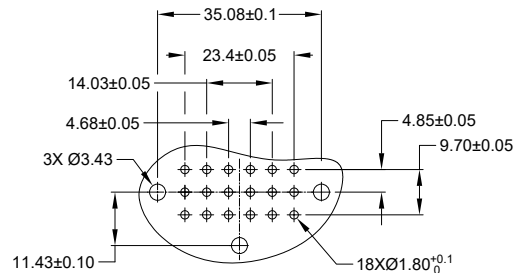
REVISIONS					
REV	ECO	DESCRIPTION	DATE	BY	APPR
A1	--	RELEASE NEW PRODUCT	17AUG20	ZENIN	TOMMY
A2	--	UPDATE THE PART NUMBERS AND IP RATING	08OCT21	ZENIN	TOMMY



D KEY P/N CHART			
CONTACT PLATING	COLOR OF HOUSING	POTTING OR NOT IN RESERVOIR	PART NUMBER
GOLD	BROWN	NO POTTING	AT13-18PD-BM01BN
GOLD	BLACK	NO POTTING	AT13-18PD-BM01BK
GOLD	BROWN	POTTING	AT13-18PD-BM02BN
GOLD	BLACK	POTTING	AT13-18PD-BM02BK
TIN	BROWN	NO POTTING	AT13-18PD-BM03BN
TIN	BLACK	NO POTTING	AT13-18PD-BM03BK
TIN	BROWN	POTTING	AT13-18PD-BM04BN
TIN	BLACK	POTTING	AT13-18PD-BM04BK



E KEY P/N CHART			
CONTACT PLATING	COLOR OF HOUSING	POTTING OR NOT IN RESERVOIR	PART NUMBER
GOLD	GRAY	NO POTTING	AT13-18PE-BM01GY
GOLD	BLACK	NO POTTING	AT13-18PE-BM01BK
GOLD	GRAY	POTTING	AT13-18PE-BM02GY
GOLD	BLACK	POTTING	AT13-18PE-BM02BK
TIN	GRAY	NO POTTING	AT13-18PE-BM03GY
TIN	BLACK	NO POTTING	AT13-18PE-BM03BK
TIN	GRAY	POTTING	AT13-18PE-BM04GY
TIN	BLACK	POTTING	AT13-18PE-BM04BK



RECOMMENDED PCB LAYOUT

SEE P/N CHART		DESCRIPTION		ITEM
QUANTITY	PART NUMBER	MATERIALS LIST		
UNLESS OTHERWISE SPECIFIED: 1) All dimensions are in metric(mm). 2) Tolerances are as follows: 1 PL DEC ±0.30   Fractions ±1/64 2 PL DEC ±0.15   Angles ±1° 3 PL DEC ±0.08		SIGNATURES		DATE
3) Note reference = $\Delta$		DRAWN: ZENN DENG		08OCT21
MATERIAL SPECIFICATIONS:		CHECKED: ORION LI		09OCT21
PROCESS SPECIFICATIONS:		ENGINEER:		
NEXT ASSY:		APPROVAL: TOMMY XIE		10OCT21
THIS DRAWING IS SUPPLIED FOR INFORMATION ONLY. DESIGN FEATURES, SPECIFICATIONS AND PERFORMANCE DATA SHOWN HEREON ARE THE PROPERTY OF THE AMPHENOL CORPORATION. NO RIGHTS OF REPRODUCTION ARE IMPLIED. ALL DIMENSIONS ARE SUBJECT TO NORMAL MANUFACTURING VARIATIONS.		CUSTOMER:		
		Amphenol		
		Sine Systems - www.amphenol-sine.com 44724 Morley Drive Clinton Township, MI 48036		
		BOARDLOCK PCB MOUNT RECEPTACLE, 18PIN RA FLANGE, AT SERIES		
SIZE	TYPE	DWG NO.	REVISION	
B	C-	AT13-18PX-BMXXXX	A2	
SCALE	NONE	SHEET 3 OF 3		