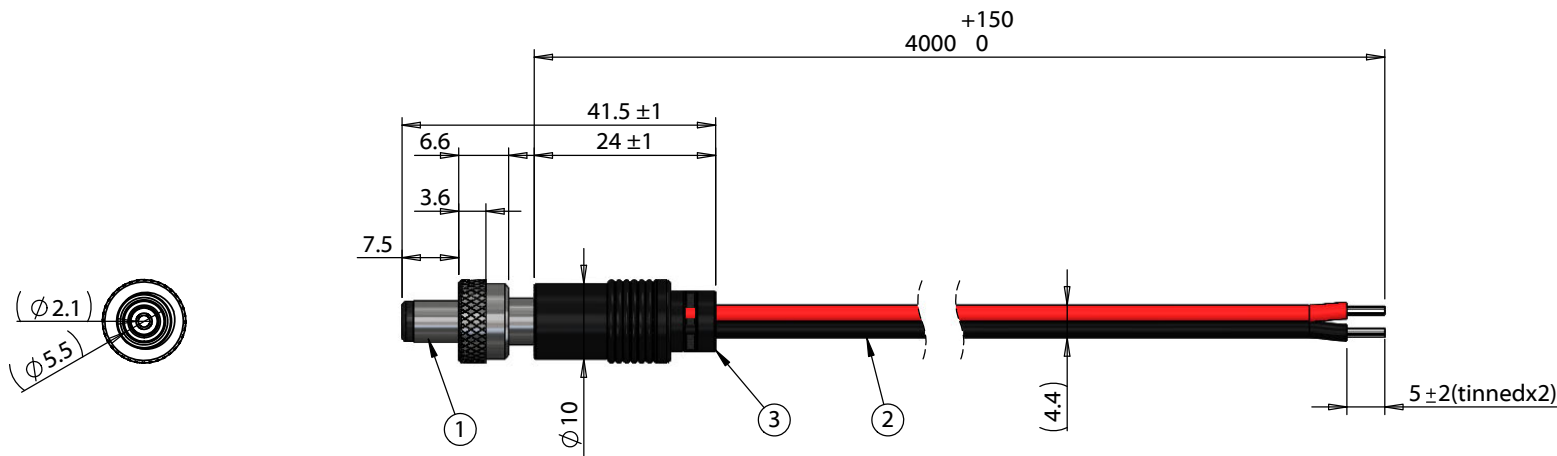


ITEM NO.	PART NUMBER	DESCRIPTION	QTY.	NOTES
1	50-00010	Connector, dc plug, 5.5x2.1xBL7.5xL30 locking style, brass nickel plated, threaded nut 5/16-32	1	
2	30-00415	Wire, 2C TS, 18 AWG, UL2468, 300V, 80°C, 4.4 mm, VW-1, PVC, red and black	1	
3	24-00016	Overmold, PVC, black	1	



Notes:
Cable rated for 48 V, 8 A

Hi-Pot test: 600 Vac, 0.5 mA, 1 second

Wiring Diagram	
50-00010	wire color
center	red
sleeve	black

Revision:	Date:	Description:	Prepared: MP <small>Digitally signed by MP Date: 2022.11.14 12:40:09 -08'00'</small>	Notes:	<h1>TENSILITY</h1> <p>tel 1.541.323.3228 800 877.670.7118 fax 1.541.323.4202 web tensility.com</p>
A	11/2/2022	Initial release	Verified: JD <small>Digitally signed by JD Date: 2022.11.14 13:34:22 -08'00'</small>	RoHS compliant	
			Dimensions are in millimeters. Tolerances: X: ± 0.5 mm X.X: ± 0.3 mm X.XX: ± 0.05 mm	Function test: no open, no short circuit, no intermittent	
				Description: Cable, 4000 mm, 5.5x2.1x7.5mm 50-00010 locking dc plug to 5mm tinned, 18 AWG, UL2468, 30-00415, r&b	
				Size: A	Part number: 10-05236
				Scale: 1:1	Sheet 1 of 1

5 4 3 2 1