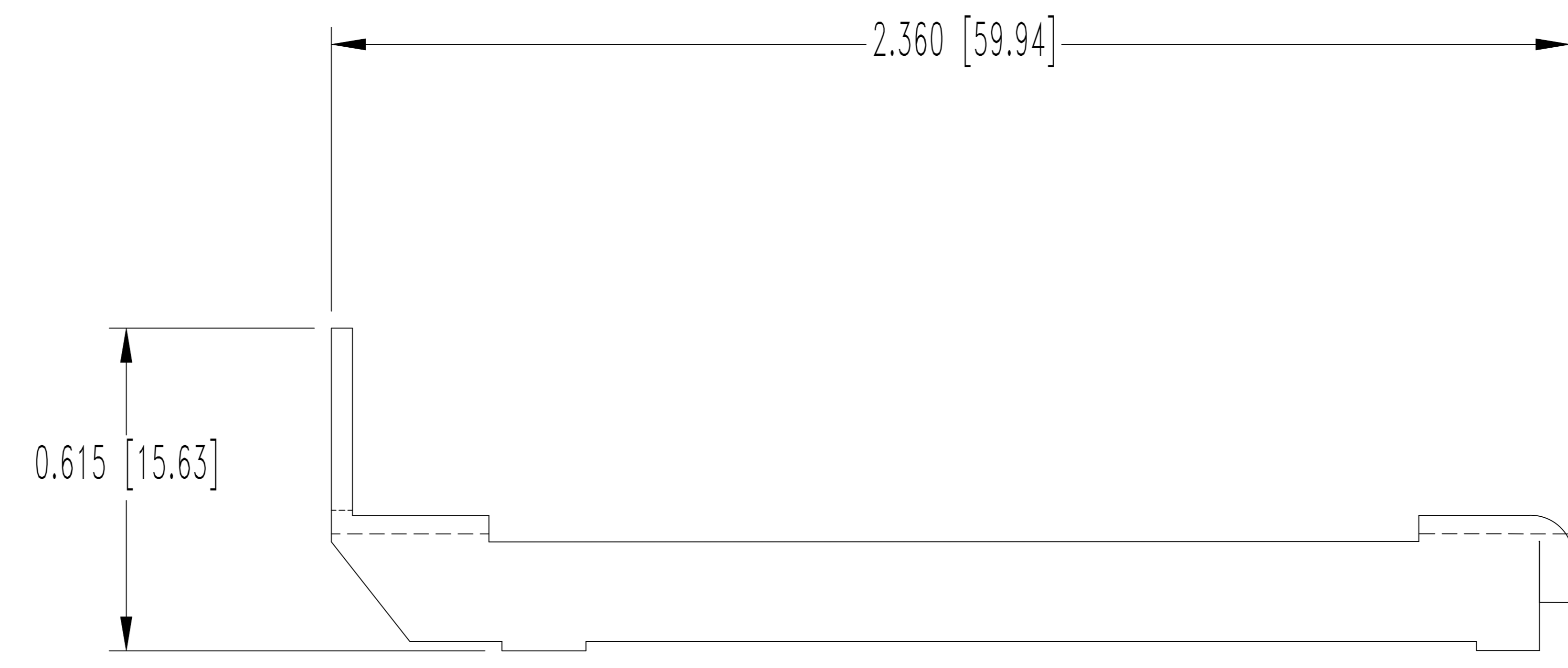
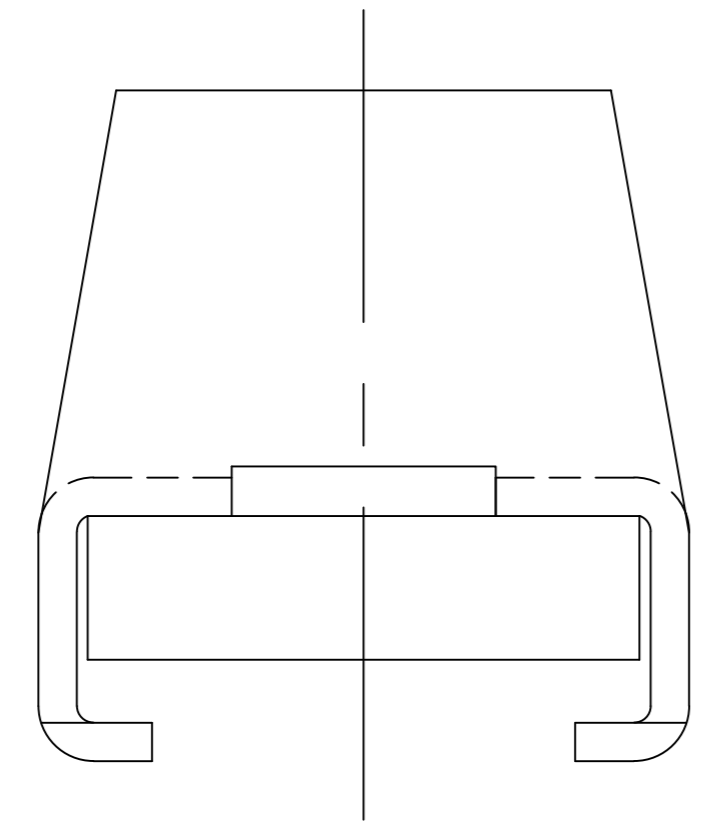
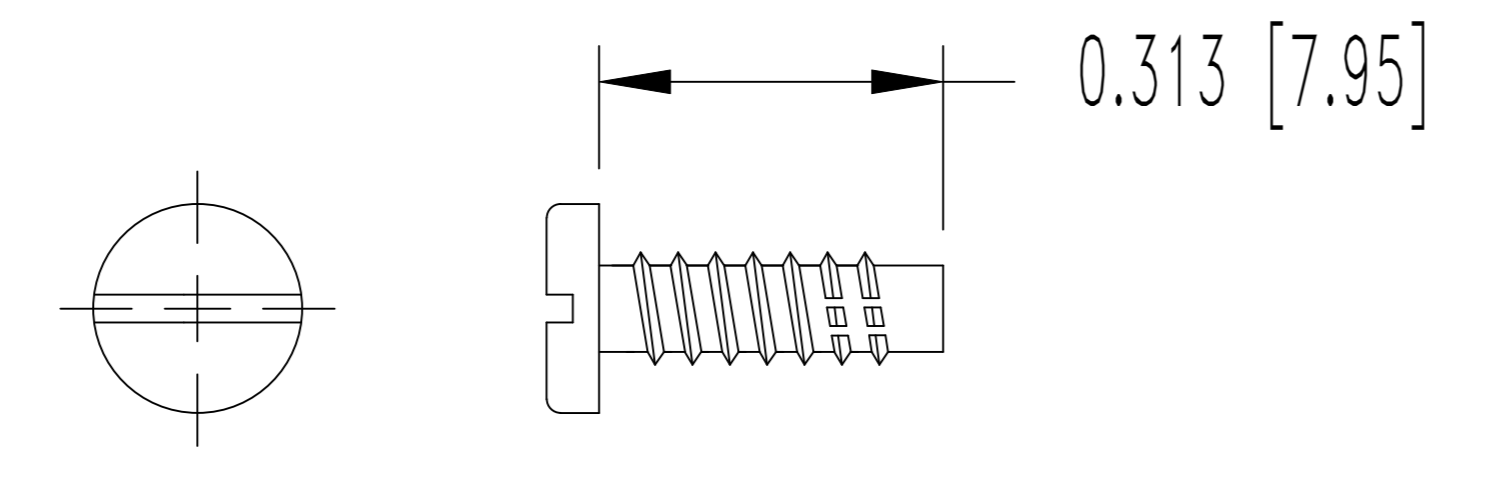


THIS DRAWING CONTAINS INFORMATION PROPRIETARY TO POSITRONIC AND IT'S SUBSIDIARIES. POSITRONIC BELIEVES THE DATA ON THIS DRAWING TO BE RELIABLE. SINCE THE TECHNICAL INFORMATION IS GIVEN FREE OF CHARGE, THE USER EMPLOYS SUCH INFORMATION AT HIS OWN DISCRETION AND RISK. POSITRONIC ASSUMES NO RESPONSIBILITY FOR RESULTS OBTAINED OR DAMAGES INCURRED FROM USE OF SUCH INFORMATION IN WHOLE OR IN PART.

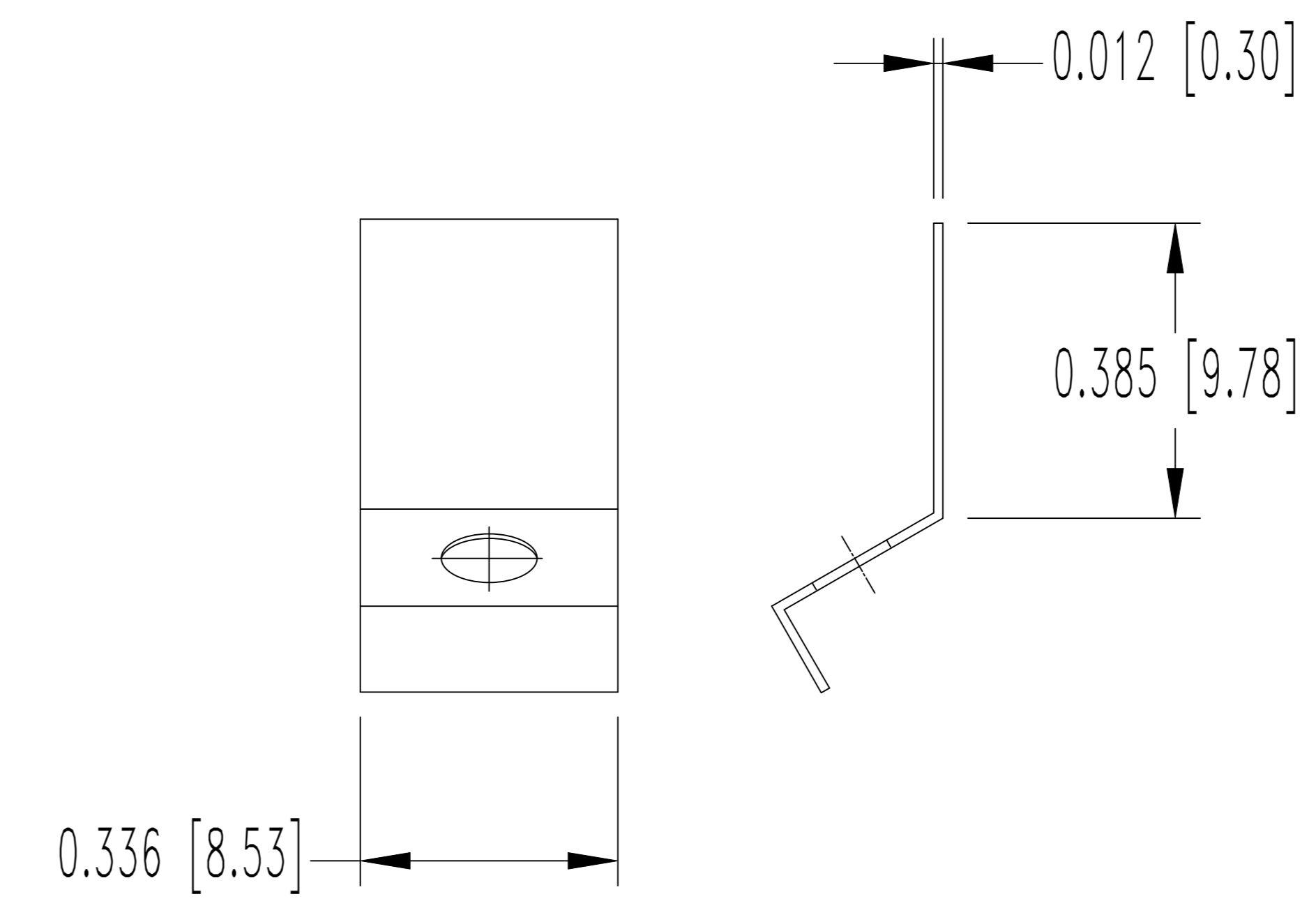
DATE	REV	REVISION RECORD	APP	DR	CK
1-24-08	NC	ECO 28900	RCW	YK	COLE



LOCKARM LEVER



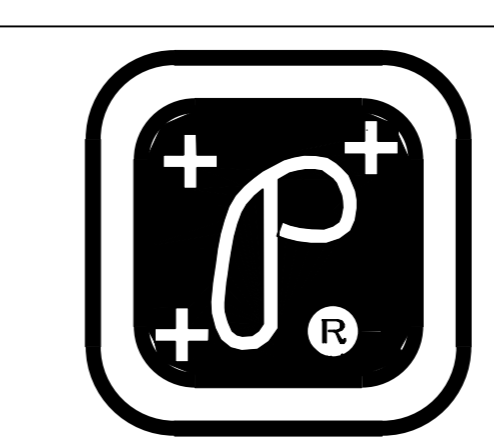
SCREW



LOCKARM SPRING

NOTES:

- MATERIAL AND FINISHES:  
 LOCKARM: STEEL WITH NICKEL PLATE.  
 LOCKARM SPRING: BERYLLIUM COPPER WITH NICKEL PLATE.  
 SCREWS: STEEL, ZINC PLATE WITH CHROMATE SEAL.
- THIS KIT CONSIST OF: 1 LOCKARM, 1 LOCKARM SPRING AND 2 SCREWS.
- DIMENSIONS ARE IN INCHES [MILLIMETERS].



**POSITRONIC INDUSTRIES INC.**  
 SPRINGFIELD, MISSOURI 65801

 DECIMAL TOL. $\pm 0.015$ [0.38]	D SERIES	SCALE N.T.S.	DRAWN BY YK
	APPROVED BY RCW		
 ANGULAR TOL. $\pm 5^\circ$	TITLE D250000VLO		
	DATE 1-24-08	DRAWING NUMBER SK9205	REV. NC