



COAXIAL

Adapter

KFFL-KF50+

50Ω DC to 40 GHz 2.92mm-Female to 2.92mm-Female

THE BIG DEAL

- Ultra-Wideband, DC to 40 GHz
- Flat Response
- Low Insertion Loss, 0.15 dB
- Excellent VSWR, 1.15:1



Generic photo used for illustration purposes only

APPLICATIONS

- Interconnection of RF cables and equipment
- Instrumentation

| | |
|------------|------------------------|
| Model No. | KFFL-KF50+ |
| Case Style | DJ2261 |
| Connectors | 2.92 mm-F to 2.92 mm-F |

+RoHS Compliant

The +Suffix identifies RoHS Compliance. See our website for methodologies and qualifications

PRODUCT OVERVIEW

Mini-Circuits' KFFL-KF50+ is a coaxial 2.92 mm-F to 2.92 mm-F adapter supporting a wide range of applications from DC to 40 GHz. This model provides excellent VSWR, low insertion loss, and flat response versus frequency. The KFFL-KF50+ features a four-hole flange ideal for mounting connectors through panels in contained assemblies.

KEY FEATURES

| Features | Advantages |
|--|--|
| Wideband, DC to 40 GHz | Wide frequency range provides application flexibility and makes this model ideal for broadband and multi-band use. |
| Excellent VSWR, 1.15:1 | Provides good matching for 50Ω systems and minimizes signal reflections across wide frequency range. |
| Low Insertion Loss, 0.15 dB | Provides excellent signal power transmission from input to output. |
| Four-hole flange | Ideal for mounting connectors through panels in contained assemblies. |
| Very wide operating temperature range, -45 to +100°C | Withstands extreme operating conditions and is suitable for use near high power componentry where heat rise is common. |



COAXIAL

Adapter

KFFL-KF50+

50Ω DC to 40 GHz 2.92mm-Female to 2.92mm-Female

ELECTRICAL SPECIFICATIONS AT 25°C

| Parameter | Condition (GHz) | Min. | Typ. | Max. | Units |
|-----------------|-----------------|------|------|------|-------|
| Frequency Range | - | DC | - | 40 | GHz |
| Insertion Loss | DC-40 | - | 0.15 | 0.6 | dB |
| VSWR | DC-40 | - | - | 1.15 | :1 |

ABSOLUTE MAXIMUM RATINGS

| Parameter | Ratings |
|-----------------------|-----------------|
| Operating Temperature | -45°C to +100°C |
| Storage Temperature | -55°C to +100°C |

Permanent damage may occur if any of these limits are exceeded.



COAXIAL

Adapter

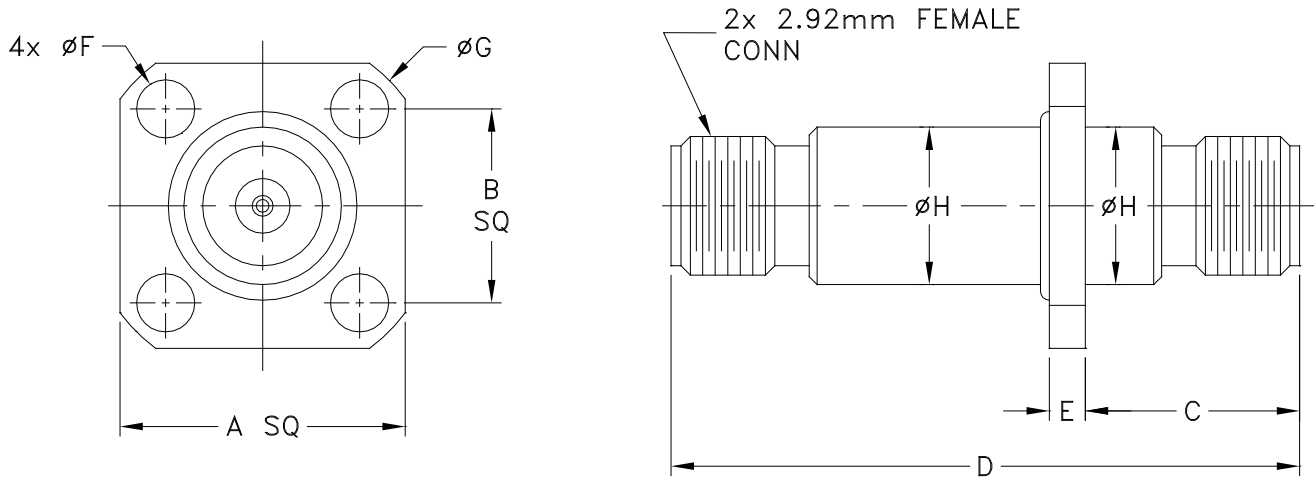
KFFL-KF50+

50Ω DC to 40 GHz 2.92mm-Female to 2.92mm-Female

COAXIAL CONNECTIONS

| | |
|-------------|-----------|
| Connector 1 | 2.92 mm-F |
| Connector 2 | 2.92 mm-F |

OUTLINE DRAWING



OUTLINE DIMENSIONS (Inches/mm)

| A | B | C | D | E | F | G | H | wt. |
|-----|------|-----|------|-----|------|------|------|-------|
| 50 | .339 | .38 | 1.10 | .06 | .102 | .622 | .276 | grams |
| 2.7 | 8.6 | 9.7 | 28.0 | 1.5 | 2.6 | 15.8 | 7.0 | 5.6 |



COAXIAL

Adapter

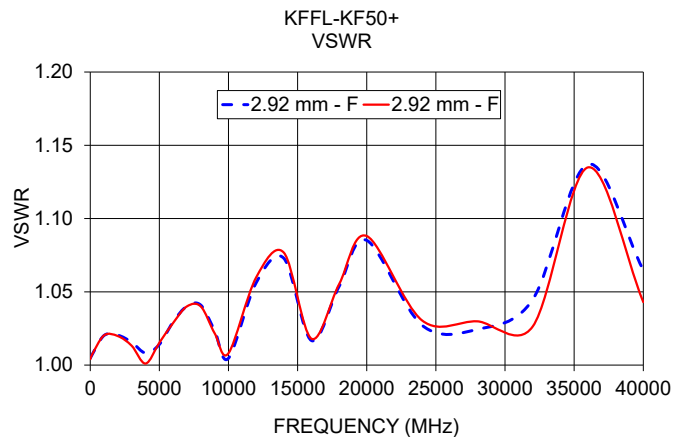
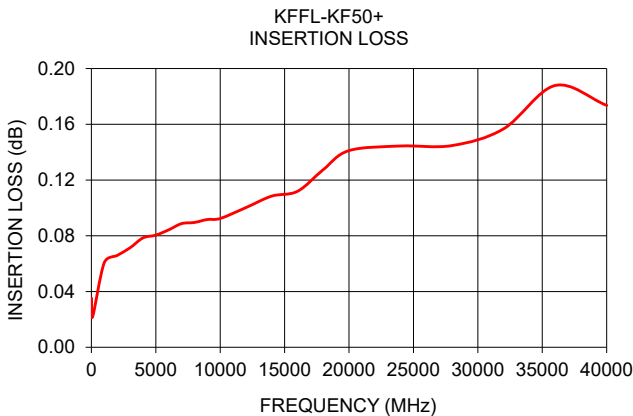
KFFL-KF50+

Mini-Circuits

50Ω DC to 40 GHz 2.92mm-Female to 2.92mm-Female

TYPICAL PERFORMANCE DATA AND CHARTS

| Frequency (MHz) | Insertion Loss (dB) | VSWR (:1) | |
|-----------------|---------------------|----------------|----------------|
| | | 2.92 mm-Female | 2.92 mm-Female |
| 10 | 0.04 | 1.00 | 1.00 |
| 100 | 0.02 | 1.01 | 1.01 |
| 1000 | 0.06 | 1.02 | 1.02 |
| 2000 | 0.07 | 1.02 | 1.02 |
| 3000 | 0.07 | 1.02 | 1.01 |
| 4000 | 0.08 | 1.01 | 1.00 |
| 5000 | 0.08 | 1.01 | 1.02 |
| 6000 | 0.08 | 1.03 | 1.03 |
| 7000 | 0.09 | 1.04 | 1.04 |
| 8000 | 0.09 | 1.04 | 1.04 |
| 9000 | 0.09 | 1.02 | 1.02 |
| 10000 | 0.09 | 1.00 | 1.01 |
| 12000 | 0.10 | 1.06 | 1.06 |
| 14000 | 0.11 | 1.07 | 1.08 |
| 16000 | 0.11 | 1.02 | 1.02 |
| 18000 | 0.13 | 1.05 | 1.06 |
| 20000 | 0.14 | 1.09 | 1.09 |
| 24000 | 0.14 | 1.03 | 1.03 |
| 28000 | 0.14 | 1.02 | 1.03 |
| 32000 | 0.16 | 1.04 | 1.03 |
| 36000 | 0.19 | 1.14 | 1.13 |
| 40000 | 0.17 | 1.06 | 1.04 |



NOTES

- A. Performance and quality attributes and conditions not expressly stated in this specification document are intended to be excluded and do not form a part of this specification document.
- B. Electrical specifications and performance data contained in this specification document are based on Mini-Circuit's applicable established test performance criteria and measurement instructions.
- C. The parts covered by this specification document are subject to Mini-Circuits standard limited warranty and terms and conditions (collectively, "Standard Terms"); Purchasers of this part are entitled to the rights and benefits contained therein. For a full statement of the standard terms and the exclusive rights and remedies thereunder, please visit Mini-Circuits' website at www.minicircuits.com/terms/viewterm.html

