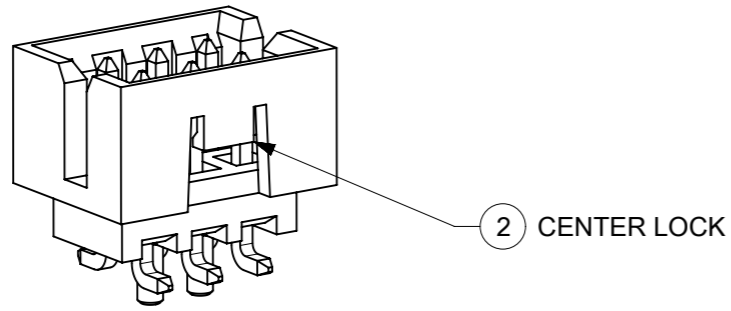
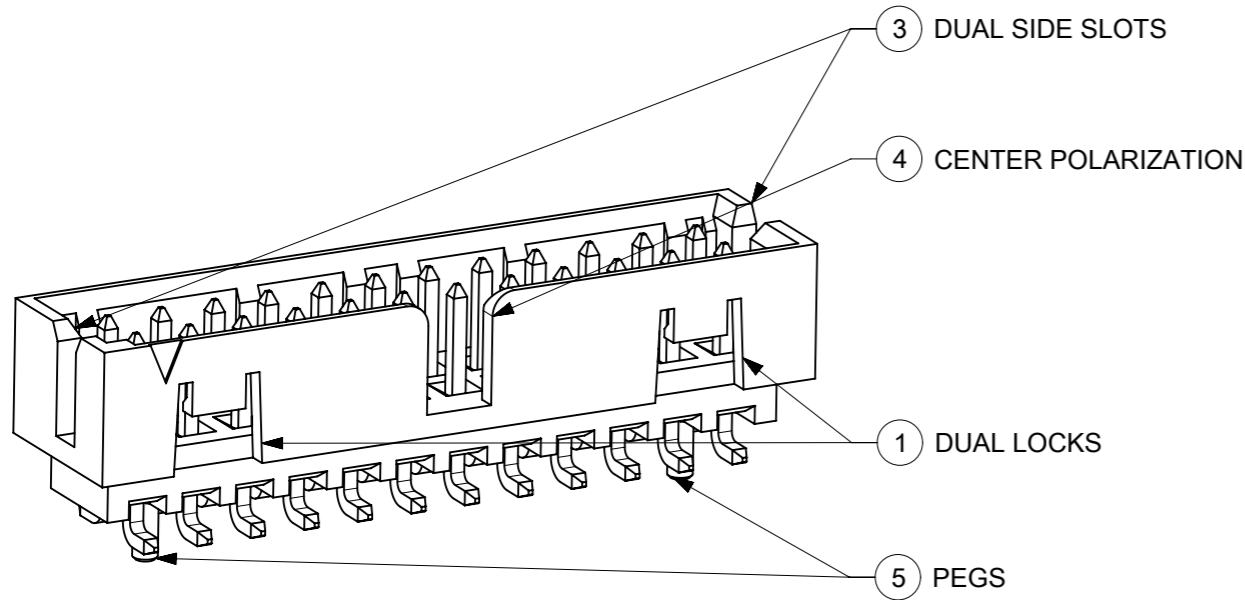


# FEATURES SELECTION GUIDE



2 CENTER LOCK



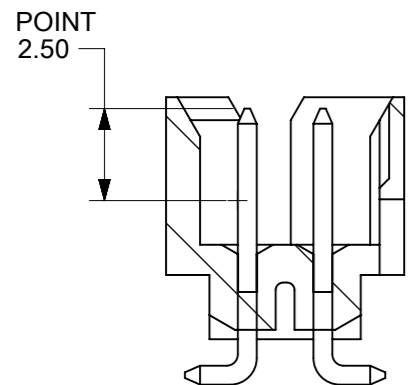
3 DUAL SIDE SLOTS

4 CENTER POLARIZATION

1 DUAL LOCKS

5 PEGS

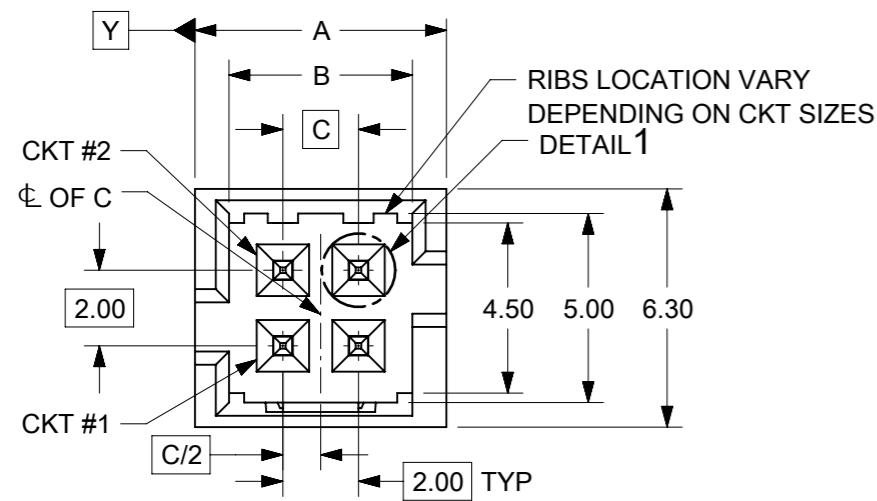
## PLATING MEASUREMENT



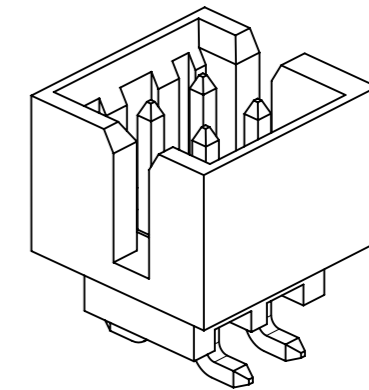
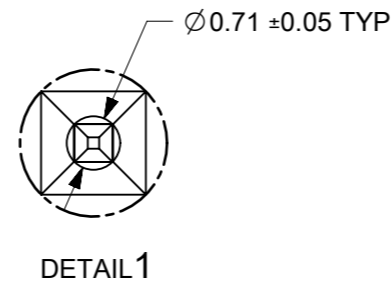
CIRCUIT SIZE	FEATURES					SHEET NO
	FRICTION LOCKS		DUAL SIDE SLOTS	CENTER POLARIZATION	PEGS	
	1 DUAL	2 CENTER				
4	N.A	N.A	YES	N.A	N.A	2 - 3
	N.A	YES	YES	N.A	N.A	
6	N.A	N.A	YES	N.A	N.A	4 - 5
	N.A	N.A	YES	N.A	YES	
	N.A	N.A	YES	YES	N.A	
	N.A	YES	YES	N.A	N.A	
	N.A	YES	YES	N.A	YES	
8 TO 12	N.A	N.A	YES	YES	YES	6 - 7
	N.A	N.A	YES	YES	N.A	
	N.A	YES	YES	N.A	YES	
14 TO 50	YES	N.A	YES	YES	N.A	8 - 11
	YES	N.A	YES	YES	YES	

THIS DRAWING CONTAINS INFORMATION THAT IS PROPRIETARY TO MOLEX ELECTRONIC TECHNOLOGIES, LLC AND SHOULD NOT BE USED WITHOUT WRITTEN PERMISSION

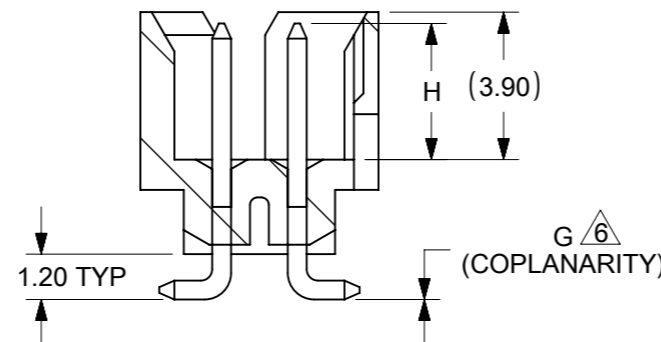
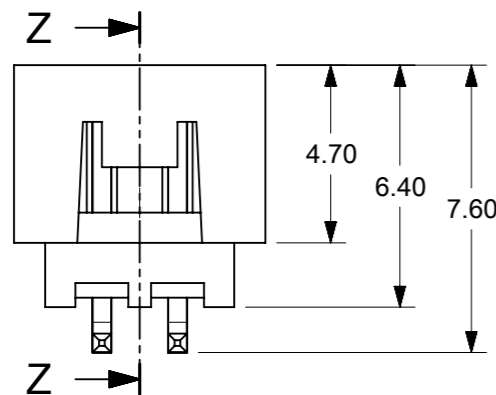
EC NO: 721932 DRWN: DANUSA CHK'D: DANUSA REV APPR: MIRAMAKRISHNA	2022/07/25	GENERAL TOLERANCES (UNLESS SPECIFIED)		DIMENSION UNITS	SCALE				
	2022/09/20	MM	INCH	MM	NTS				
	2022/09/20	4 PLACES ±	±	DRWN BY	DATE	MILLIGRID 2MM PITCH, SMT VERTICAL SHROUDED HEADER			
		3 PLACES ±	±	GMENARLY	2015/05/22				
		2 PLACES ± 0.2	±	CHK'D BY	DATE				
		1 PLACES ±	±	CGOH	2015/09/21	PRODUCT CUSTOMER DRAWING			
	0 PLACES ±	±	APPR BY	DATE					
			KHLIM	2015/09/22	SERIES	MATERIAL NUMBER	CUSTOMER		
		ANGULAR TOL = 3.0	DRAWING SIZE	THIRD ANGLE PROJECTION	87832	SEE TABLE	GENERAL MARKET		
		DRAFT WHERE APPLICABLE MUST REMAIN WITHIN DIMENSIONS	A3		DOCUMENT NUMBER	DOC TYPE	DOC PART	SHEET NUMBER	
A21					SD-87832-0001	PSD	001	1 OF 13	



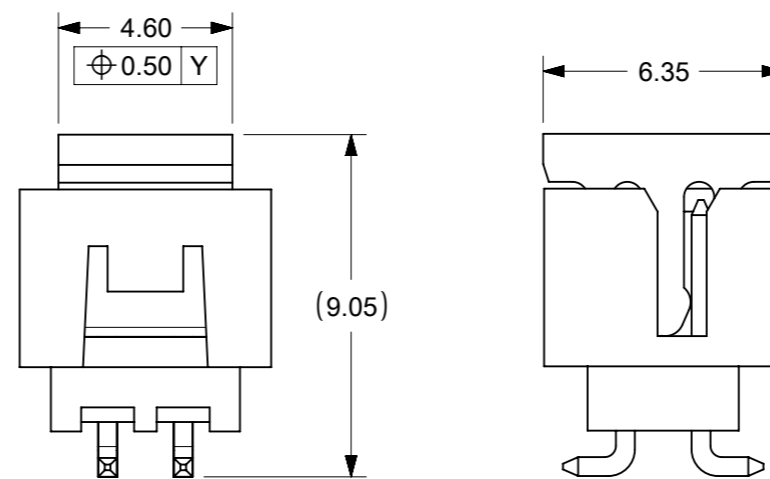
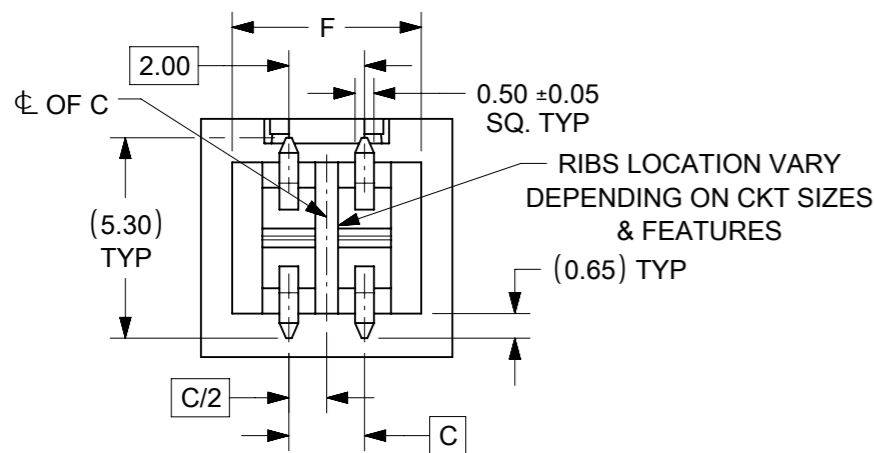
# 4 CIRCUITS



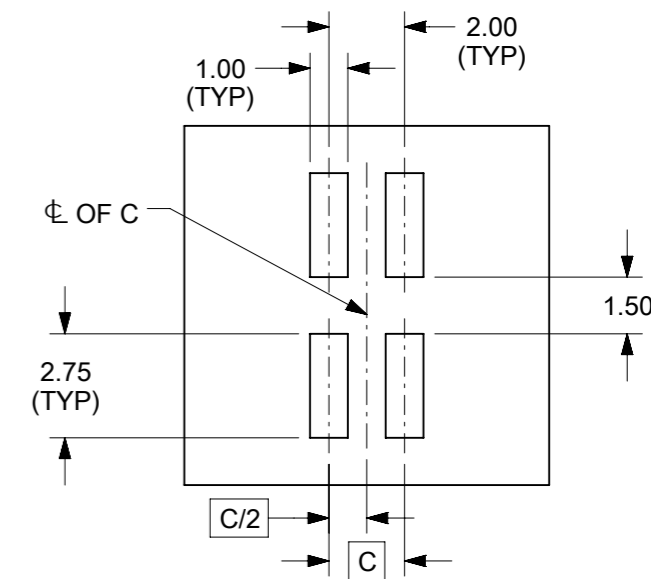
ISO VIEW OF HEADER WITH ONLY DUAL SLOTS



SECTION Z-Z



VIEW FOR HEADER WITH CAP



RECOMMENDED PCB LAYOUT

**NOTES:**

- MATERIALS:**  
HOUSING & CAP: 30% GF, NYLON, UL94V-0, COLOR: BLACK  
PIN: 0.50mm SQ. PHOSPHOR BRONZE
- FINISHES:** REFER TO PLATING OPTIONS
- PRODUCT SPECIFICATION:** PS-87831-027
- PACKAGING SPECIFICATION:** SEE PACKAGING SPECS TABLE ON SHEET 12
- MATES WITH:** A. MOLEX CRIMP RECEPTACLE HOUSING: 51110 SERIES AND CRIMP TERMINAL: 50394 SERIES  
B. MOLEX 2mm MILLIGRID DUAL ROW IDT: 87568 SERIES  
C. MOLEX 2mm MILLIGRID DUAL ROW RECEPTACLE: 79107 (GOLD PLATED), 78787 (TIN PLATED)
- COPLANARITY IS TO BE MEASURED BY RESTING THE SOLDER TAIL ON A GAUGE SURFACE
- BEND DEPRESSION ON SMT TAIL IS ACCEPTABLE SO LONG AS IT DOES NOT AFFECT THE OVERALL COPLANARITY
- TOP SURFACE OF CAP TO BE FLAT FOR THE PURPOSE OF PICK & PLACE BY VACUUM SUCTION NOZZLE

THIS DRAWING CONTAINS INFORMATION THAT IS PROPRIETARY TO MOLEX ELECTRONIC TECHNOLOGIES, LLC AND SHOULD NOT BE USED WITHOUT WRITTEN PERMISSION

EC NO: 721932 DRWN: DANUSA CHK'D: DANUSA REV APPR: MIRAMAKRISHNA	2022/07/25	GENERAL TOLERANCES (UNLESS SPECIFIED) MM INCH 4 PLACES ± ± 3 PLACES ± ± 2 PLACES ± 0.2 ± 1 PLACES ± ± 0 PLACES ± ± ANGULAR TOL = 3.0 DRAFT WHERE APPLICABLE MUST REMAIN WITHIN DIMENSIONS	DIMENSION UNITS		SCALE		
	2022/09/20		MM	INCH	MM	NTS	
	2022/09/20		DRWN BY	DATE	GMENARLY	2015/05/22	
			CHK'D BY	DATE	CGOH	2015/09/21	
			APPR BY	DATE			MILLIGRID 2MM PITCH, SMT VERTICAL SHROUDED HEADER
			KHLIM	2015/09/22		PRODUCT CUSTOMER DRAWING	
			DRAWING SIZE	THIRD ANGLE PROJECTION			
			A3				DOCUMENT NUMBER: SD-87832-0001 DOC TYPE: PSD DOC PART: 001 SHEET NUMBER: 2 OF 13

4 CIRCUITS

CKT SIZE	ASSY P/N WITHOUT CAP IN TUBE	ASSY P/N WITH CAP IN TUBE	ASSY P/N WITH CAP IN T&R	T&R OPTIONS (SEE SHEET 12)	PLATING OPTIONS	FRICTION LOCKS		DUAL SIDE SLOTS	CENTER POLARIZATION	PEGS	DIMENSION							
						DUAL	CENTER				A	B	C	D	E	F	G (COPLAN)	H
4	87832-0460	87832-0462	87832-5162	1	1	N.A	N.A	YES	N.A	N.A	6.65	4.85	2.00	N.A	N.A	5.00	0.10	3.60±0.20
	87832-0420	87832-0422	87832-5122	1	2													
	87832-0421	87832-0423	87832-5123	1	3													
	87832-0470	87832-0472	87832-5172	1	4	N.A	YES	YES	N.A	N.A							0.10	
	87832-0410	87832-0408	87832-0406	1	2													
			87832-5106	2	2													
	87832-0411	87832-0409	87832-0407	1	3													
87832-0404	N.A	N.A	N.A	2						0.10								

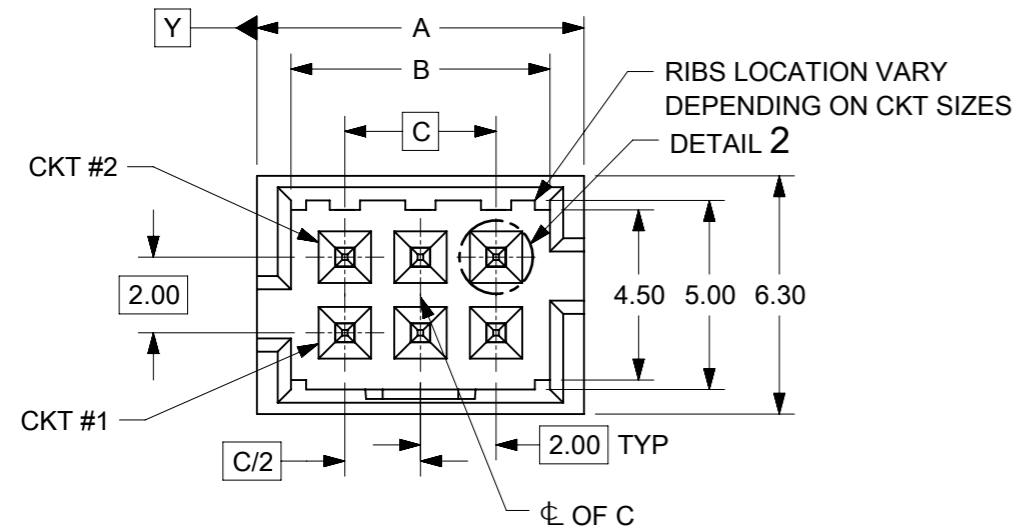
**PLATING OPTIONS:**

- 1 - 0.05-0.13µm/2-5µin GOLD IN CONTACT AREA AND 1.88µm/75µin MIN. MATTE TIN IN SOLDER TAIL AREA OVER 1.27µm/50µin MIN. NICKEL OVERALL.
- 2 - 0.38µm/15µin MIN. GOLD IN CONTACT AREA AND 1.88µm/75µin MIN. MATTE TIN IN SOLDER TAIL AREA OVER 1.27µm/50µin MIN. NICKEL OVERALL.
- 3 - 0.76µm/30µin MIN. GOLD IN CONTACT AREA AND 1.88µm/75µin MIN. MATTE TIN IN SOLDER TAIL AREA OVER 1.27µm/50µin MIN. NICKEL OVERALL.
- 4 - 2.50µm/100µin MIN. MATTE TIN OVER 1.25µm/50µin MIN. NICKEL OVERALL.

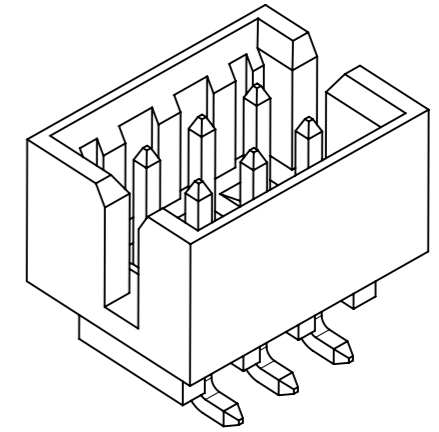
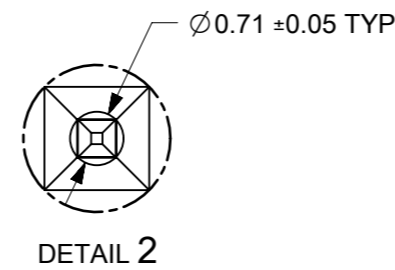
THIS DRAWING CONTAINS INFORMATION THAT IS PROPRIETARY TO MOLEX ELECTRONIC TECHNOLOGIES, LLC AND SHOULD NOT BE USED WITHOUT WRITTEN PERMISSION

EC NO: 721932 DRWN: DANUSA CHKD: DANUSA REV APPR: MIRAMAKRISHNA	2022/07/25	GENERAL TOLERANCES (UNLESS SPECIFIED)		DIMENSION UNITS		SCALE		<b>molex®</b>			
	2022/09/20	MM	INCH	MM	NTS						
	2022/09/20	4 PLACES ±	±	DRWN BY	DATE	MILLIGRID 2MM PITCH, SMT VERTICAL SHROUDED HEADER					
		3 PLACES ±	±	GMENARLY	2015/05/22						
		2 PLACES ± 0.2	±	CHK'D BY	DATE	PRODUCT CUSTOMER DRAWING					
		1 PLACES ±	±	CGOH	2015/09/21						
	0 PLACES ±	±	APPR BY	DATE	SERIES MATERIAL NUMBER CUSTOMER 87832 SEE TABLE GENERAL MARKET						
			KHLIM	2015/09/22							
		ANGULAR TOL = 3.0	DRAWING SIZE	THIRD ANGLE PROJECTION	DOCUMENT NUMBER DOC TYPE DOC PART SHEET NUMBER SD-87832-0001 PSD 001 3 OF 13						
		DRAFT WHERE APPLICABLE MUST REMAIN WITHIN DIMENSIONS	A3								

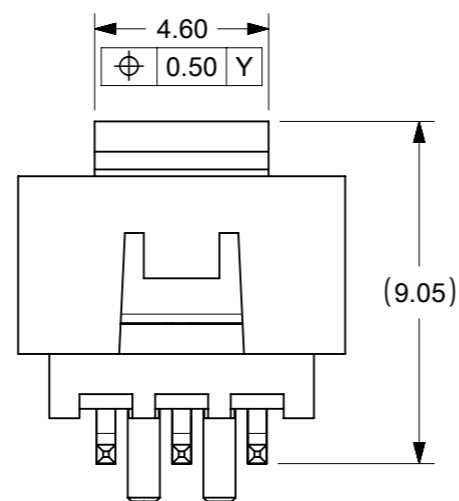
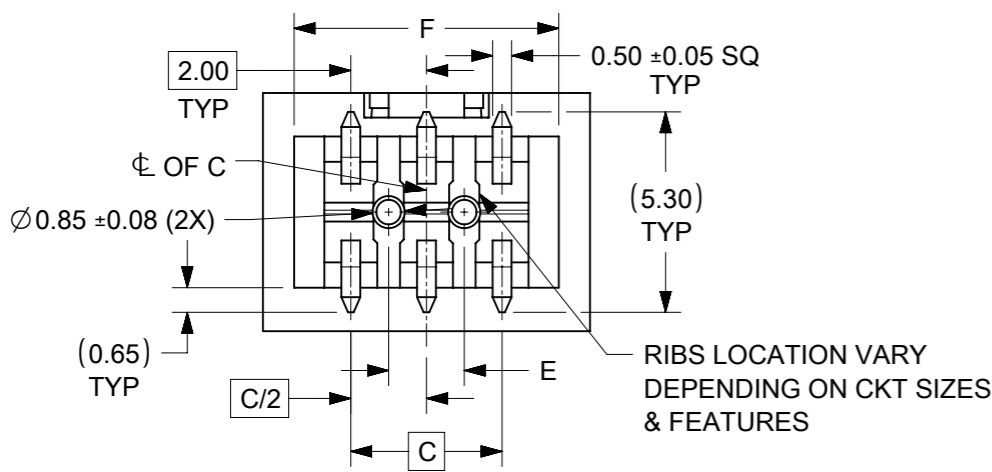
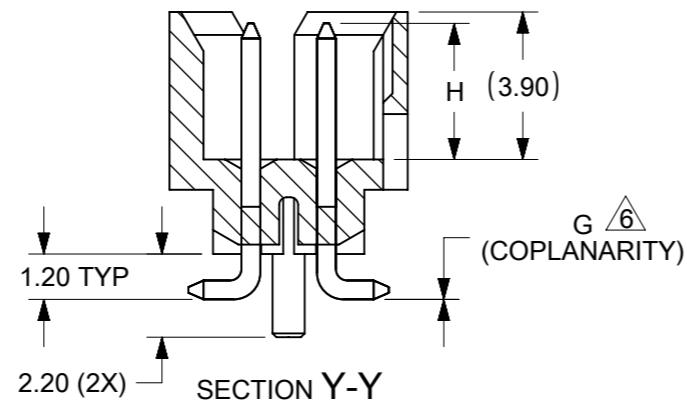
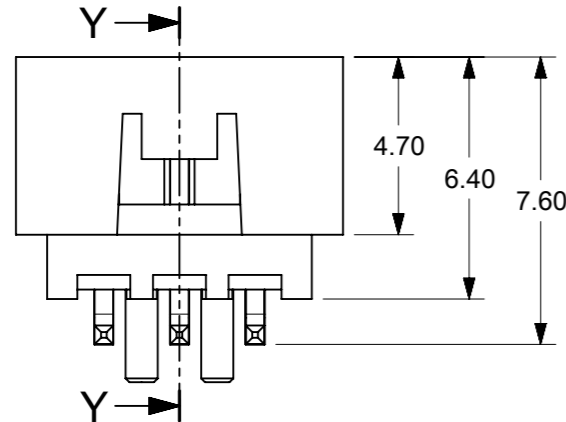
RELEASE STATUS	P1	RELEASE DATE	2022/09/20	09:04:31
----------------	----	--------------	------------	----------



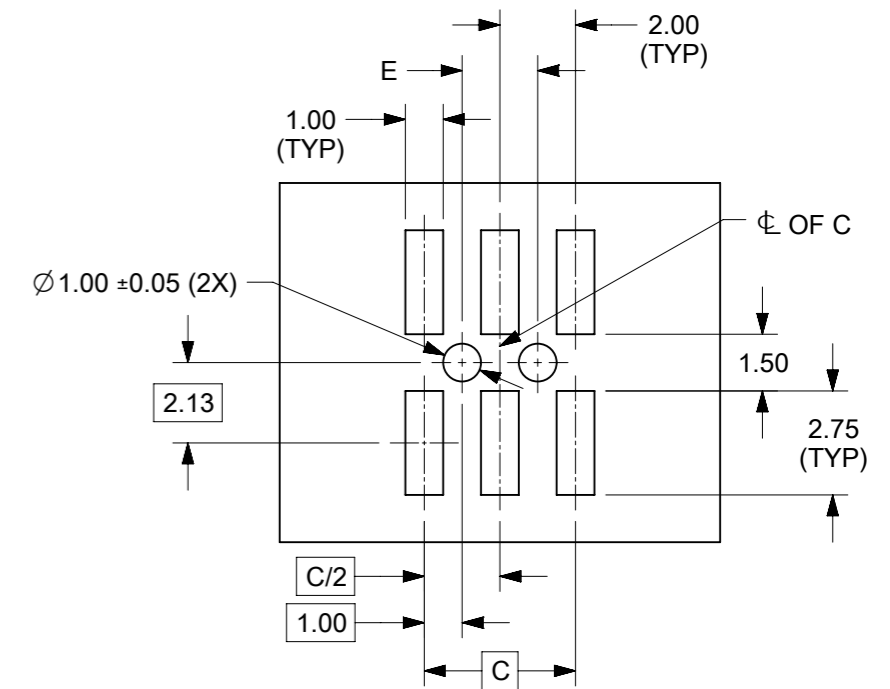
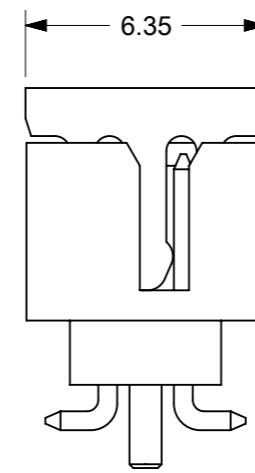
**6 CIRCUITS**



VIEW FOR HEADER WITH ONLY DUAL SLOTS



VIEW FOR HEADER WITH CAP



RECOMMENDED PCB LAYOUT

- NOTES:**
- MATERIALS:**  
HOUSING & CAP: 30% GF, NYLON, UL94V-0, COLOR: BLACK  
PIN: 0.50mm SQ. PHOSPHOR BRONZE
  - FINISHES:** REFER TO PLATING OPTIONS
  - PRODUCT SPECIFICATION:** PS-87831-027
  - PACKAGING SPECIFICATION:** SEE PACKAGING SPECS TABLE ON SHEET 12
  - MATES WITH:** A. MOLEX CRIMP RECEPTACLE HOUSING: 51110 SERIES AND CRIMP TERMINAL: 50394 SERIES  
B. MOLEX 2mm MILLIGRID DUAL ROW IDT: 87568 SERIES  
C. MOLEX 2mm MILLIGRID DUAL ROW RECEPTACLE: 79107 (GOLD PLATED), 78787 (TIN PLATED)
- COPLANARITY IS TO BE MEASURED BY RESTING THE SOLDER TAIL ON A GAUGE SURFACE**
- BEND DEPRESSION ON SMT TAIL IS ACCEPTABLE SO LONG AS IT DOES NOT AFFECT THE OVERALL COPLANARITY
  - TOP SURFACE OF CAP TO BE FLAT FOR THE PURPOSE OF PICK & PLACE BY VACUUM SUCTION NOZZLE

THIS DRAWING CONTAINS INFORMATION THAT IS PROPRIETARY TO MOLEX ELECTRONIC TECHNOLOGIES, LLC AND SHOULD NOT BE USED WITHOUT WRITTEN PERMISSION

EC NO: 721932 DRWN: DANUSA CHK'D: DANUSA APPR: MIRAMAKRISHNA	2022/07/25	GENERAL TOLERANCES (UNLESS SPECIFIED)		DIMENSION UNITS		SCALE					
	2022/09/20	MM	INCH	MM	NTS	DRWN BY					
	2022/09/20	4 PLACES	±	±	GMENARLY		2015/05/22		MILLIGRID 2MM PITCH, SMT VERTICAL SHROUDED HEADER		
		3 PLACES	±	±	CHK'D BY		DATE				
	2 PLACES	± 0.2	±	CGOH		2015/09/21		PRODUCT CUSTOMER DRAWING			
	1 PLACES	±	±	APPR BY		DATE					
	0 PLACES	±	±	KHLIM		2015/09/22		SERIES: 87832 MATERIAL NUMBER: SEE TABLE CUSTOMER: GENERAL MARKET			
	ANGULAR TOL = 3.0		DRAWING SIZE		THIRD ANGLE PROJECTION						
	DRAFT WHERE APPLICABLE MUST REMAIN WITHIN DIMENSIONS		A3						DOCUMENT NUMBER: SD-87832-0001 DOC TYPE: PSD DOC PART: 001 SHEET NUMBER: 4 OF 13		
RELEASE STATUS	P1	RELEASE DATE	2022/09/20	09:04:31							

# 6 CIRCUITS

CKT SIZE	ASSY P/N WITHOUT CAP IN TUBE	ASSY P/N WITH CAP IN TUBE	ASSY P/N WITH CAP IN T&R	ASSY P/N WITHOUT CAP IN T&R	T&R OPTIONS (SEE SHEET 12)	PLATING OPTIONS	FRICTION LOCKS		DUAL SIDE SLOTS	CENTER POLARIZATION	PEGS	DIMENSION							
							DUAL	CENTER				A	B	C	D	E	F	G (COPLAN)	H
6	87832-0660	87832-0662	87832-5262		1	1	N.A	N.A	YES	N.A	YES	8.65	6.85	4.00	N.A	2.00	7.00	0.10	3.60±0.20
	87832-0620	87832-0622	87832-5222	87832-5230	1	2													
	87832-0621	87832-0623	87832-5223		1	3													
	87832-0670	87832-0672	87832-5272		1	4													
	87832-0612	87832-0616	87832-0614		1	2	N.A	N.A	YES	N.A	N.A							0.10	3.60±0.20
	87832-0613	87832-0617	87832-0615		1	3	N.A	N.A	YES	YES	N.A								
	87832-0624	87832-0626	87832-0628		1	2	N.A	YES	YES	N.A	N.A								
	87832-0625	87832-0627	87832-0629		1	3	N.A	YES	YES	N.A	YES								
	87832-0610	87832-0608	87832-0606		1	2												N.A	YES
	87832-0611	87832-0609	87832-0607		1	3	N.A	YES	YES	N.A	YES								
87832-0604	N.A	N.A		N.A	2	N.A						YES	YES	N.A	YES	0.10	3.60±0.20		

**PLATING OPTIONS:**

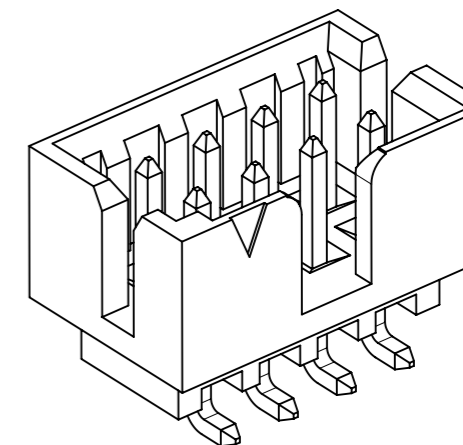
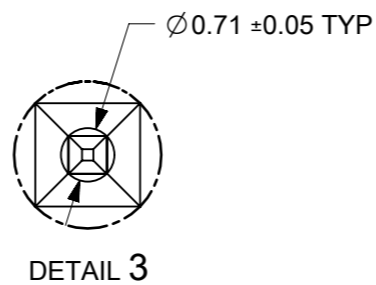
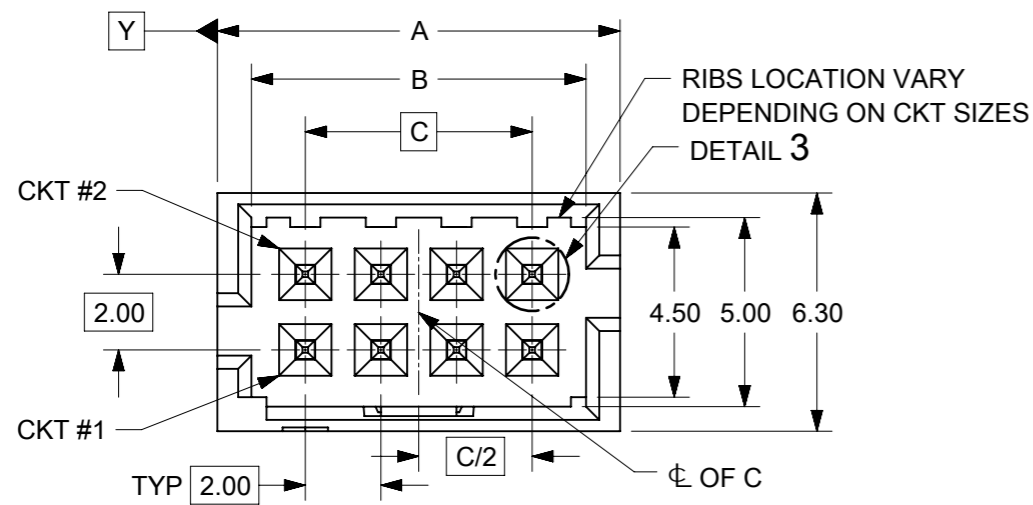
- 1 - 0.05-0.13µm/2-5µin GOLD IN CONTACT AREA AND 1.88µm/75µin MIN. MATTE TIN IN SOLDER TAIL AREA OVER 1.27µm/50µin MIN. NICKEL OVERALL.
- 2 - 0.38µm/15µin MIN. GOLD IN CONTACT AREA AND 1.88µm/75µin MIN. MATTE TIN IN SOLDER TAIL AREA OVER 1.27µm/50µin MIN. NICKEL OVERALL.
- 3 - 0.76µm/30µin MIN. GOLD IN CONTACT AREA AND 1.88µm/75µin MIN. MATTE TIN IN SOLDER TAIL AREA OVER 1.27µm/50µin MIN. NICKEL OVERALL.
- 4 - 2.50µm/100µin MIN. MATTE TIN OVER 1.25µm/50µin MIN. NICKEL OVERALL.

THIS DRAWING CONTAINS INFORMATION THAT IS PROPRIETARY TO MOLEX ELECTRONIC TECHNOLOGIES, LLC AND SHOULD NOT BE USED WITHOUT WRITTEN PERMISSION

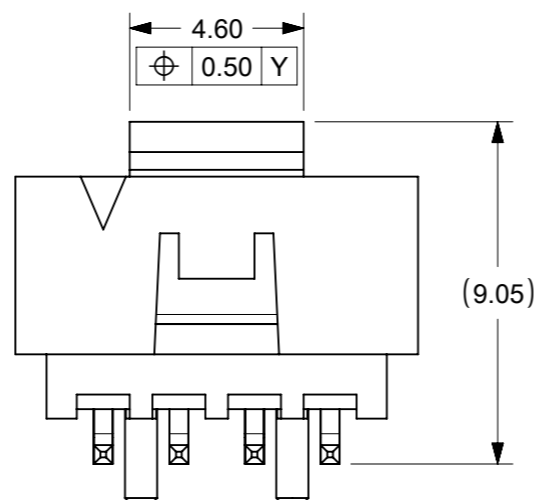
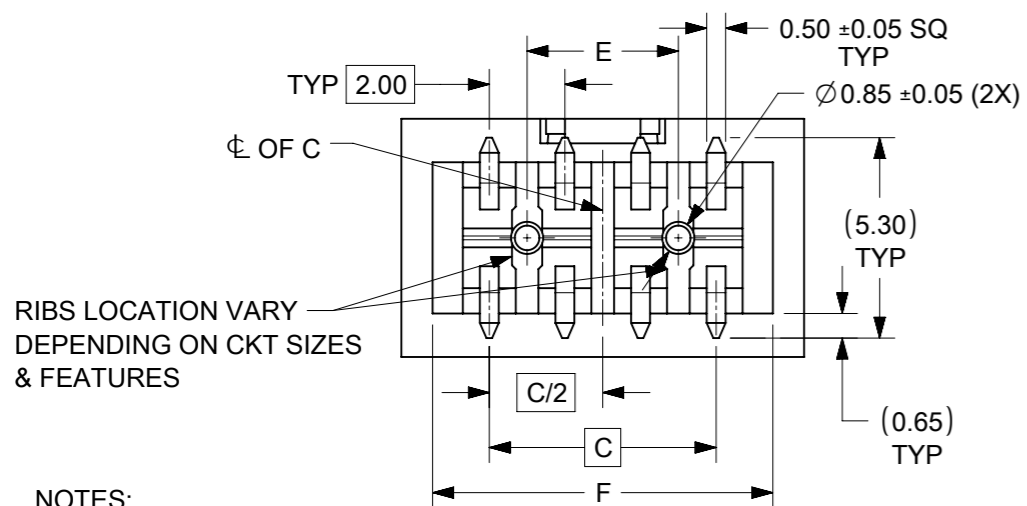
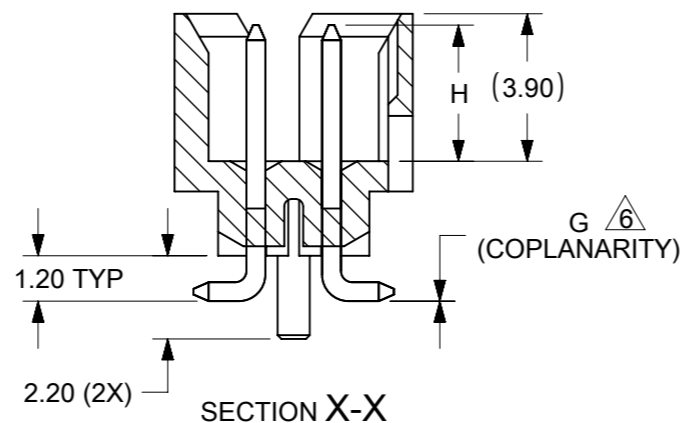
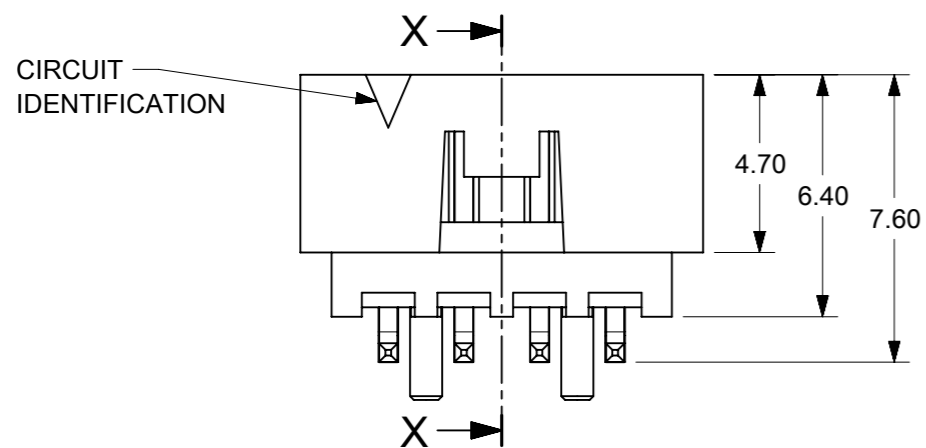
EC NO: 721932 DRWN: DANUSA CHKD: DANUSA REV APPR: MIRAMAKRISHNA	2022/07/25	GENERAL TOLERANCES (UNLESS SPECIFIED)		DIMENSION UNITS	SCALE			
	2022/09/20	MM	INCH	MM	NTS			
	2022/09/20	4 PLACES ±	±	DRWN BY	DATE		MILLIGRID 2MM PITCH, SMT VERTICAL SHROUDED HEADER  PRODUCT CUSTOMER DRAWING	
		3 PLACES ±	±	GMENARLY	2015/05/22			
		2 PLACES ± 0.2	±	CHK'D BY	DATE			
		1 PLACES ±	±	CGOH	2015/09/21			
	0 PLACES ±	±	APPR BY	DATE				
			KHLIM	2015/09/22				
		ANGULAR TOL = 3.0	DRAWING SIZE	THIRD ANGLE PROJECTION	SERIES	MATERIAL NUMBER	CUSTOMER	
		DRAFT WHERE APPLICABLE MUST REMAIN WITHIN DIMENSIONS	A3		87832	SEE TABLE	GENERAL MARKET	
					DOCUMENT NUMBER	DOC TYPE	DOC PART	SHEET NUMBER
					SD-87832-0001	PSD	001	5 OF 13

RELEASE STATUS	P1	RELEASE DATE	2022/09/20	09:04:31
----------------	----	--------------	------------	----------

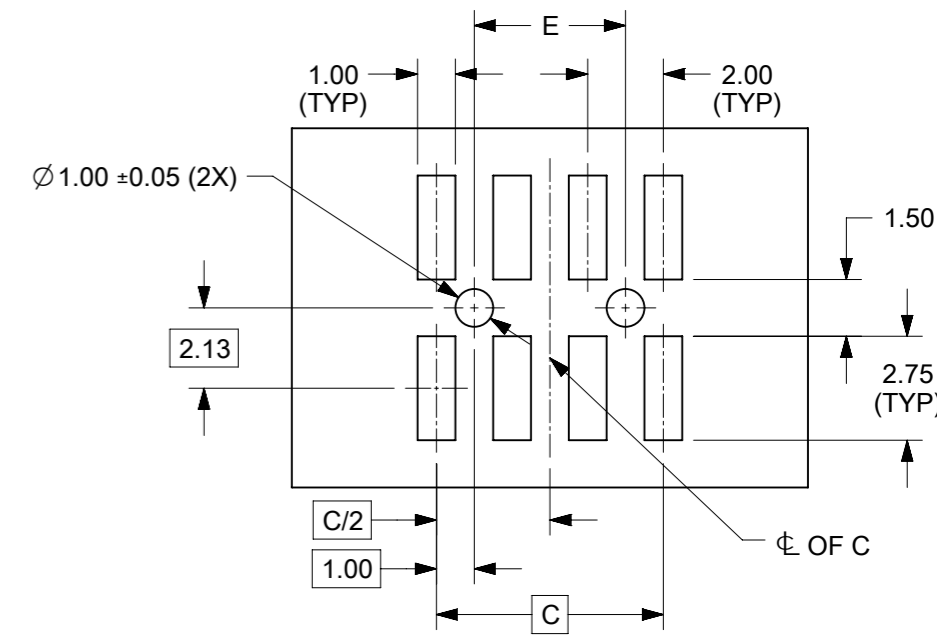
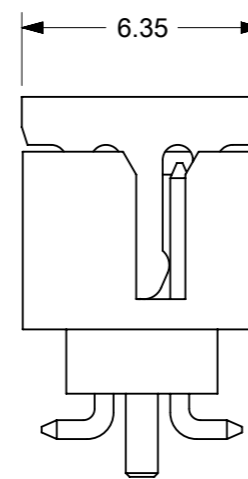
8 TO 12 CIRCUITS



ISO VIEW OF HEADER WITH CENTER POLARIZATION AND DUAL SIDE SLOTS



VIEW FOR HEADER WITH CAP



RECOMMENDED PCB LAYOUT

- NOTES:
- MATERIALS:  
HOUSING & CAP: 30% GF, NYLON, UL94V-0, COLOR: BLACK  
PIN: 0.50mm SQ. PHOSPHOR BRONZE
  - FINISHES: REFER TO PLATING OPTIONS
  - PRODUCT SPECIFICATION: PS-87831-027
  - PACKAGING SPECIFICATION: SEE PACKAGING SPECS TABLE ON SHEET 12
  - MATES WITH: A. MOLEX CRIMP RECEPTACLE HOUSING: 51110 SERIES AND CRIMP TERMINAL: 50394 SERIES  
B. MOLEX 2mm MILLIGRID DUAL ROW IDT: 87568 SERIES  
C. MOLEX 2mm MILLIGRID DUAL ROW RECEPTACLE: 79107 (GOLD PLATED), 78787 (TIN PLATED)
  - COPLANARITY IS TO BE MEASURED BY RESTING THE SOLDER TAIL ON A GAUGE SURFACE
  - BEND DEPRESSION ON SMT TAIL IS ACCEPTABLE SO LONG AS IT DOES NOT AFFECT THE OVERALL COPLANARITY
  - TOP SURFACE OF CAP TO BE FLAT FOR THE PURPOSE OF PICK & PLACE BY VACUUM SUCTION NOZZLE

THIS DRAWING CONTAINS INFORMATION THAT IS PROPRIETARY TO MOLEX ELECTRONIC TECHNOLOGIES, LLC AND SHOULD NOT BE USED WITHOUT WRITTEN PERMISSION

EC NO: 721932 DRWN: DANUSA CHK'D: DANUSA REV APPR: MIRAMAKRISHNA	2022/07/25	GENERAL TOLERANCES (UNLESS SPECIFIED)		DIMENSION UNITS		SCALE								
	2022/09/20	MM	INCH	MM	NTS	DRWN BY						DATE		
	2022/09/20	4 PLACES	±	±	GMENARLY		2015/05/22		MILLIGRID 2MM PITCH, SMT VERTICAL SHROUDED HEADER					
		3 PLACES	±	±	CHK'D BY		DATE							
	2 PLACES	± 0.2	±	CGOH		2015/09/21		PRODUCT CUSTOMER DRAWING						
	1 PLACES	±	±	APPR BY		DATE								
	0 PLACES	±	±	KHLIM		2015/09/22		SERIES: 87832 MATERIAL NUMBER: SEE TABLE CUSTOMER: GENERAL MARKET						
	ANGULAR TOL = 3.0		DRAWING SIZE		THIRD ANGLE PROJECTION		DOCUMENT NUMBER			DOC TYPE		DOC PART		SHEET NUMBER
	DRAFT WHERE APPLICABLE MUST REMAIN WITHIN DIMENSIONS		A3				SD-87832-0001		PSD		001		6 OF 13	


8 TO 12 CIRCUITS

CKT SIZE	ASSY P/N WITHOUT CAP IN TUBE	ASSY P/N WITH CAP IN TUBE	ASSY P/N WITH CAP IN T&R	ASSY P/N WITHOUT CAP IN T&R	T&R OPTIONS (SEE SHEET 12)	PLATING OPTIONS	FRICTION LOCKS		DUAL SIDE SLOTS	CENTER POLARIZATION	PEGS	DIMENSION							
							DUAL	CENTER				A	B	C	D	E	F	G (COPLAN)	H
8	87832-0860	87832-0862	87832-5362		1	1	N.A	N.A	YES	YES	YES	10.65	8.85	6.00	N.A	4.00	9.00	0.10	3.60±0.20
	87832-0820	87832-0822	87832-5322		1	2												0.10	3.60±0.20
	87832-0821	87832-0823	87832-5323		1	3												0.10	3.60±0.15
	87832-0870	87832-0872	87832-5372		1	4	N.A	N.A	YES	YES	N.A							0.10	3.60±0.20
	87832-0812	87832-0816	87832-0814		1	2	N.A	YES	YES	N.A	N.A							0.10	3.60±0.20
	87832-0824	87832-0826	87832-0828		1	2	N.A	YES	YES	N.A	N.A							0.10	3.60±0.15
	87832-0825	87832-0827	87832-0829		1	3	N.A	YES	YES	N.A	YES							0.10	3.60±0.20
	87832-0810	87832-0808	87832-0806		1	2	N.A	YES	YES	N.A	YES							0.10	3.60±0.20
	87832-0811	87832-0809	87832-0807		1	3	N.A	YES	YES	N.A	YES							0.10	3.60±0.20
87832-0804	N.A	N.A		N.A	2	N.A	YES	YES	N.A	YES	0.10	3.60±0.20							
10	87832-1060	87832-1062	87832-5462		1	1	N.A	N.A	YES	YES	YES	12.65	10.85	8.00	N.A	6.00	11.00	0.10	3.60±0.20
	87832-1020	87832-1022	87832-5422	87832-5430	1	2												0.10	3.60±0.20
	87832-1021	87832-1023	87832-5423		1	3												0.10	3.60±0.20
			87832-9423		2													0.10	3.60±0.15
	87832-1070	87832-1072	87832-5472		1	4	N.A	N.A	YES	YES	N.A							0.10	3.60±0.20
	87832-1012	87832-1016	87832-1014		1	2	N.A	YES	YES	N.A	YES							0.10	3.60±0.20
	87832-1019	87832-1045	87832-1035		1	1	N.A	YES	YES	N.A	YES							0.10	3.60±0.20
	87832-1024	87832-1026	87832-1028		1	2	N.A	YES	YES	N.A	N.A							0.10	3.60±0.15
	N.A	N.A	87832-1055		1	1	N.A	YES	YES	N.A	YES							0.10	3.60±0.20
	87832-1025	87832-1027	87832-1029		1	3	N.A	YES	YES	N.A	YES							0.10	3.60±0.20
87832-1010	87832-1008	87832-1006		1	2	N.A	YES	YES	N.A	YES	0.10	3.60±0.20							
87832-1011	87832-1009	87832-1007		1	3	N.A	YES	YES	N.A	YES	0.10	3.60±0.20							
87832-1004	N.A	N.A		N.A	2	N.A	YES	YES	N.A	YES	0.10	3.60±0.20							
12	87832-1260	87832-1262	87832-5562		1	1	N.A	N.A	YES	YES	YES	14.65	12.85	10.00	N.A	8.00	13.00	0.10	3.60±0.20
	87832-1220	87832-1222	87832-5522		1	2												0.10	3.60±0.15
	87832-1221	87832-1223	87832-5523		1	3												0.10	3.60±0.20
			87832-9623		2													0.10	3.60±0.20
	87832-1270	87832-1272	87832-5572		1	4	N.A	YES	YES	N.A	N.A							0.10	3.60±0.15
	87832-1224	87832-1226	87832-1228		1	2	N.A	YES	YES	N.A	YES							0.10	3.60±0.20
	87832-1225	87832-1227	87832-1229		1	3	N.A	YES	YES	N.A	YES							0.10	3.60±0.20
	87832-1210	87832-1208	87832-1206		1	2	N.A	YES	YES	N.A	YES							0.10	3.60±0.20
	87832-1211	87832-1209	87832-1207		1	3	N.A	YES	YES	N.A	YES							0.10	3.60±0.20
	87832-1204	N.A	N.A		N.A	2	N.A	YES	YES	N.A	YES							0.10	3.60±0.20
87832-1212	N.A	N.A		N.A	2	N.A	N.A	YES	YES	N.A	0.10	3.60±0.20							

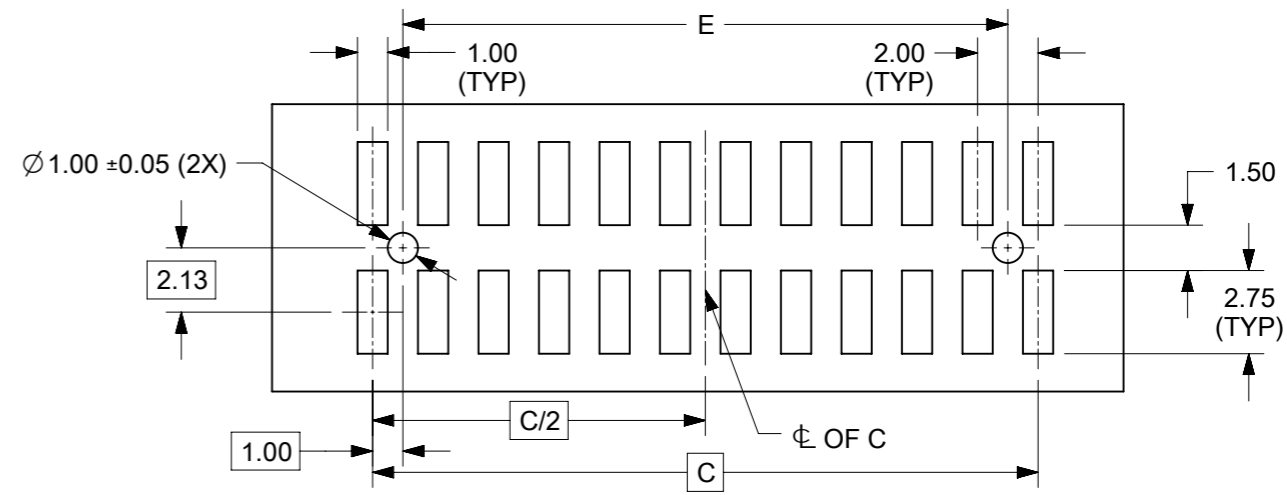
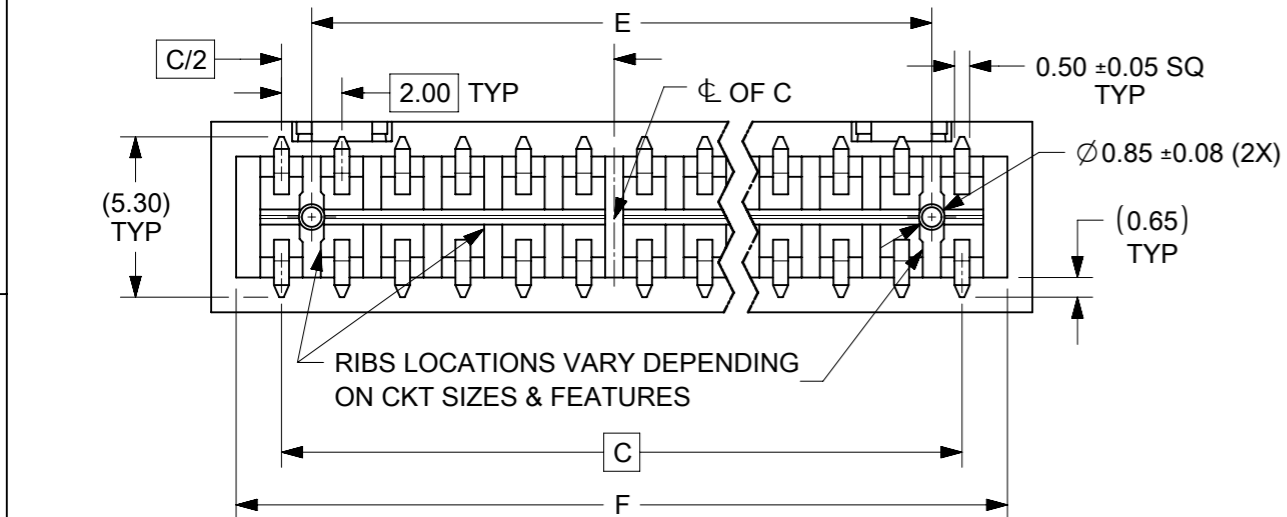
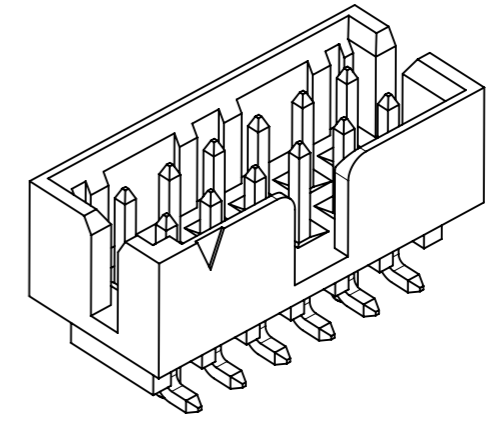
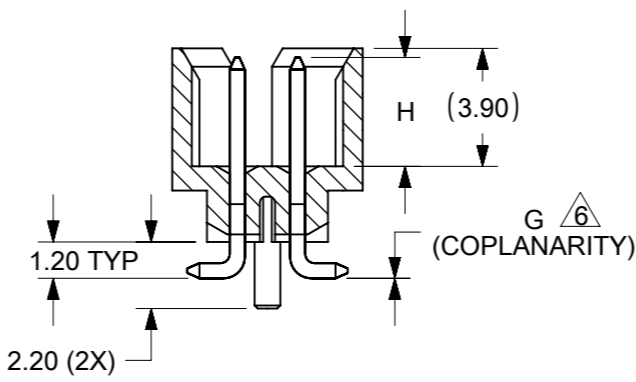
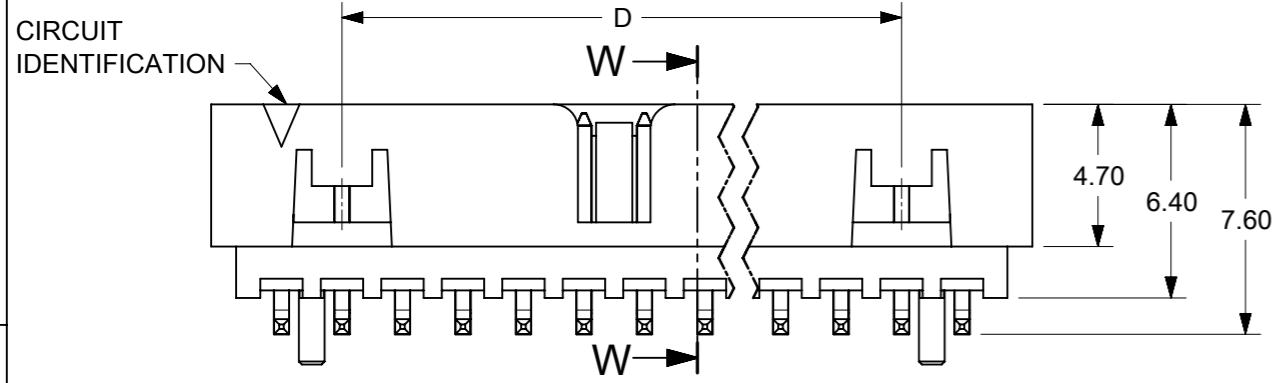
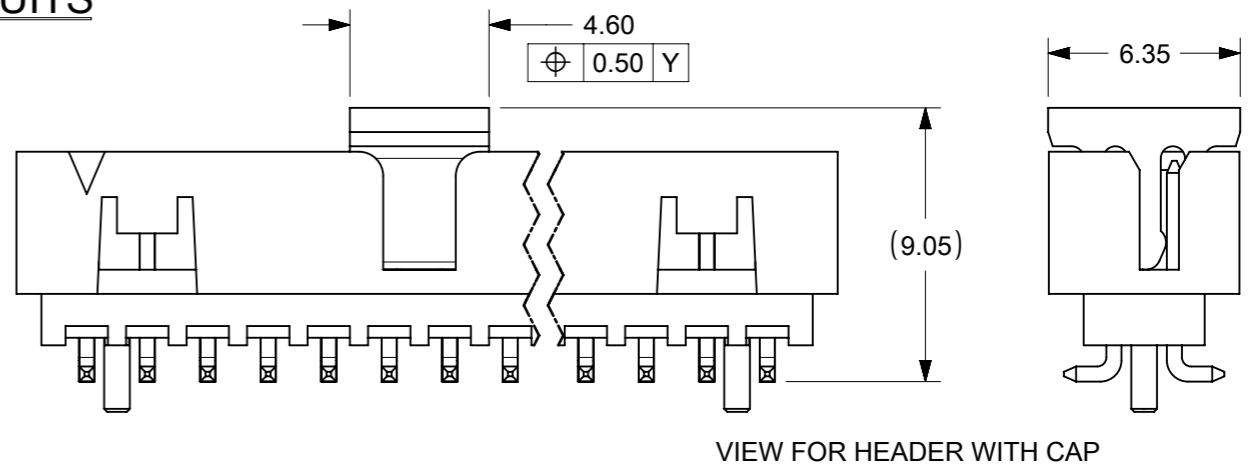
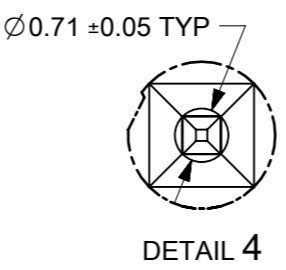
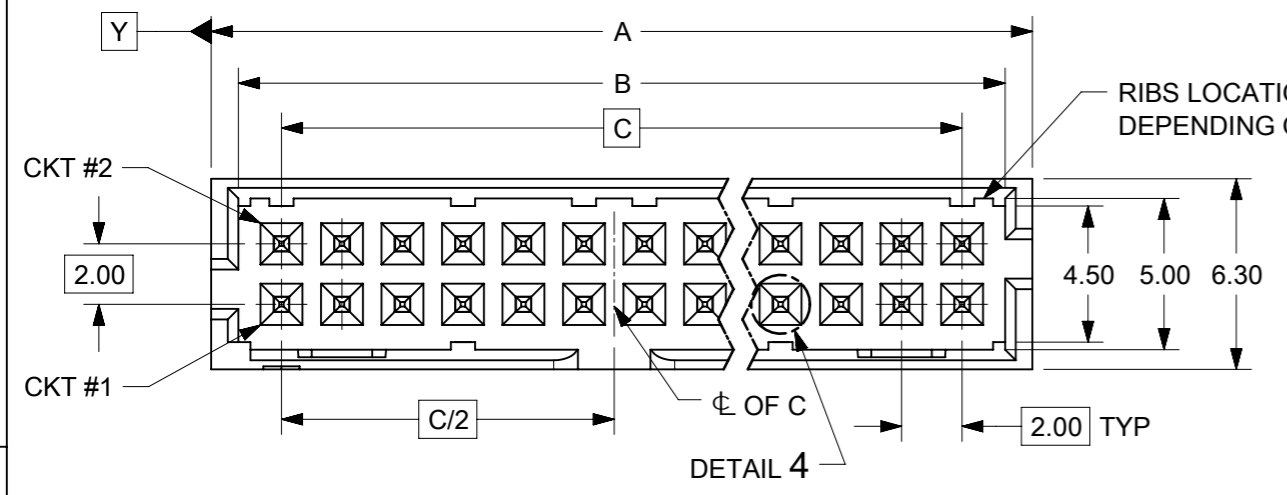
PLATING OPTIONS:

- 1 - 0.05-0.13µm/2-5µin GOLD IN CONTACT AREA AND 1.88µm/75µin MIN. MATTE TIN IN SOLDER TAIL AREA OVER 1.27µm/50µin MIN. NICKEL OVERALL.
- 2 - 0.38µm/15µin MIN. GOLD IN CONTACT AREA AND 1.88µm/75µin MIN. MATTE TIN IN SOLDER TAIL AREA OVER 1.27µm/50µin MIN. NICKEL OVERALL.
- 3 - 0.76µm/30µin MIN. GOLD IN CONTACT AREA AND 1.88µm/75µin MIN. MATTE TIN IN SOLDER TAIL AREA OVER 1.27µm/50µin MIN. NICKEL OVERALL.
- 4 - 2.50µm/100µin MIN. MATTE TIN OVER 1.25µm/50µin MIN. NICKEL OVERALL.

THIS DRAWING CONTAINS INFORMATION THAT IS PROPRIETARY TO MOLEX ELECTRONIC TECHNOLOGIES, LLC AND SHOULD NOT BE USED WITHOUT WRITTEN PERMISSION

EC NO: 721932 DRWN: DANUSA CHKD: DANUSA REV APPR: MIRAMAKRISHNA	GENERAL TOLERANCES (UNLESS SPECIFIED)		DIMENSION UNITS		SCALE			
			MM	INCH	MM	NTS		
	4 PLACES ±				DRWN BY	DATE		MILLIGRID 2MM PITCH, SMT VERTICAL SHROUDED HEADER
	3 PLACES ±				GMENARLY	2015/05/22		
2 PLACES ± 0.2				CHK'D BY	DATE			
1 PLACES ±				CGOH	2015/09/21	PRODUCT CUSTOMER DRAWING		
0 PLACES ±				APPR BY	DATE			
ANGULAR TOL = 3.0				KHLIM	2015/09/22	SERIES: 87832 MATERIAL NUMBER: SEE TABLE CUSTOMER: GENERAL MARKET		
DRAFT WHERE APPLICABLE MUST REMAIN WITHIN DIMENSIONS				DRAWING SIZE: A3	THIRD ANGLE PROJECTION			
RELEASE STATUS: P1	RELEASE DATE: 2022/09/20	09:04:31		SD-87832-0001		DOC TYPE: PSD	DOC PART: 001	SHEET NUMBER: 7 OF 13

# 14 TO 50 CIRCUITS



- NOTES:**
- 1. MATERIALS:**  
HOUSING & CAP: 30% GF, NYLON, UL94V-0, COLOR: BLACK  
PIN: 0.50mm SQ. PHOSPHOR BRONZE
  - 2. FINISHES:** REFER TO PLATING OPTIONS
  - 3. PRODUCT SPECIFICATION:** PS-87831-027
  - 4. PACKAGING SPECIFICATION:** SEE PACKAGING SPECS TABLE ON SHEET 12
  - 5. MATES WITH:** A. MOLEX CRIMP RECEPTACLE HOUSING: 51110 SERIES AND CRIMP TERMINAL: 50394 SERIES  
B. MOLEX 2mm MILLIGRID DUAL ROW IDT: 87568 SERIES  
C. MOLEX 2mm MILLIGRID DUAL ROW RECEPTACLE: 79107 (GOLD PLATED), 78787 (TIN PLATED)
  - 6. COPLANARITY IS TO BE MEASURED BY RESTING THE SOLDER TAIL ON A GAUGE SURFACE**
  - 7. BEND DEPRESSION ON SMT TAIL IS ACCEPTABLE SO LONG AS IT DOES NOT AFFECT THE OVERALL COPLANARITY**
  - 8. TOP SURFACE OF CAP TO BE FLAT FOR THE PURPOSE OF PICK & PLACE BY VACUUM SUCTION NOZZLE**

THIS DRAWING CONTAINS INFORMATION THAT IS PROPRIETARY TO MOLEX ELECTRONIC TECHNOLOGIES, LLC AND SHOULD NOT BE USED WITHOUT WRITTEN PERMISSION

EC NO: 721932 DRWN: DANUSA CHK'D: DANUSA APPR: MIRAMAKRISHNA	2022/07/25	GENERAL TOLERANCES (UNLESS SPECIFIED) MM    INCH 4 PLACES ±    ± 3 PLACES ±    ± 2 PLACES ± 0.2 ± 1 PLACES ±    ± 0 PLACES ±    ± ANGULAR TOL = 3.0 DRAFT WHERE APPLICABLE MUST REMAIN WITHIN DIMENSIONS	DIMENSION UNITS		SCALE		
	2022/09/20		MM	NTS	DRWN BY    DATE		
	2022/09/20		MM	NTS	GMENARLY    2015/05/22		
			MM	NTS	CHK'D BY    DATE		
					CGOH    2015/09/21		MILLIGRID 2MM PITCH, SMT VERTICAL SHROUDED HEADER
					APPR BY    DATE		
					KHLIM    2015/09/22		
					DRAWING SIZE    THIRD ANGLE PROJECTION		
							PRODUCT CUSTOMER DRAWING
							SERIES    MATERIAL NUMBER    CUSTOMER
							87832    SEE TABLE    GENERAL MARKET
							DOCUMENT NUMBER    DOC TYPE    DOC PART    SHEET NUMBER
							SD-87832-0001    PSD    001    8 OF 13




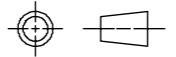
14 TO 24 CIRCUITS

CKT SIZE	ASSY P/N WITHOUT CAP IN TUBE	ASSY P/N WITH CAP IN TUBE	ASSY P/N WITH CAP IN T&R	ASSY P/N WITHOUT CAP IN T&R	T&R OPTIONS (SEE SHEET 12)	PLATING OPTIONS	FRICTION LOCKS		DUAL SIDE SLOTS	CENTER POLARIZATION	PEGS	DIMENSION							So (T&R)										
							DUAL	CENTER				A	B	C	D	E	F	G (COPLAN)		H									
14	87832-1460	87832-1462	87832-5662		1	1																							
	87832-1420	87832-1422	87832-5622	87832-5630	1	2																							
	87832-1421	87832-1423	87832-5623		1	3		YES	N.A	YES	YES	YES	16.65	14.85	12.00	8.00	10.00	15.00	0.15	3.60±0.20									
			87832-9523		2																								
	87832-1470	87832-1472	87832-5672		1	4																							
87832-1412	87832-1416	87832-1414		1	2	YES	N.A	YES	YES	N.A													0.15	3.60±0.20					
87832-1660	87832-1662	87832-5762		1	1																								
16	87832-1620	87832-1622	87832-5722		1	2						18.65	16.85	14.00	10.00	12.00	17.00	0.15	3.60±0.20										
	87832-1621	87832-1623	87832-5723		1	3	YES	N.A	YES	YES	YES																		
	87832-1670	87832-1672	87832-5772	87832-5730	1	4																							
	87832-1612	87832-1616	87832-1614		1	2	YES	N.A	YES	YES	N.A													0.15	3.60±0.20	28.40			
	87832-1619	87832-1645	87832-1635		1	1																							
18	87832-1860	87832-1862	87832-5862		1	1						20.65	18.85	16.00	12.00	14.00	19.00	0.15	3.60±0.20										
	87832-1820	87832-1822	87832-5822	87832-5830	1	2	YES	N.A	YES	YES	YES																		
	87832-1821	87832-1823	87832-5823		1	3																							
	87832-1870	87832-1872	87832-5872		1	4																							
	87832-1812	87832-1816	87832-1814		3	2	YES	N.A	YES	YES	N.A													0.15	3.60±0.20				
	87832-1813	87832-1817	87832-1815		3	3	YES	N.A	YES	YES	N.A													0.15	3.60±0.20				
20	87832-2060	87832-2062	87832-5962		1	1						22.65	20.85	18.00	14.00	16.00	21.00	0.15	3.60±0.20										
	87832-2020	87832-2022	87832-5922	87832-5930	1	2	YES	N.A	YES	YES	YES																		
	87832-2021	87832-2023	87832-5923		1	3																							
	87832-2070	87832-2072	87832-5972		1	4																							
			87832-9672		2																								
87832-2012	87832-2016	87832-2014		1	2	YES	N.A	YES	YES	N.A							0.15	3.60±0.20	40.40										
22	87832-2260	87832-2262	87832-6062		1	1						24.65	22.85	20.00	16.00	18.00	23.00	0.15	3.60±0.20										
	87832-2220	87832-2222	87832-6022	87832-6030	1	2	YES	N.A	YES	YES	YES																		
	87832-2221	87832-2223	87832-6023	A21 87832-6031	1	3																							
	87832-2270	87832-2272	87832-6072		1	4																							
24	87832-2460	87832-2462	87832-6162		1	1						26.65	24.85	22.00	18.00	20.00	25.00	0.15	3.60±0.20										
	87832-2420	87832-2422	87832-6122	87832-6130	1	2	YES	N.A	YES	YES	YES																		
	87832-2421	87832-2423	87832-6123		1	3																							
	87832-2470	87832-2472	87832-6172		1	4																							
	87832-2412	87832-2416	87832-2414		1	2	YES	N.A	YES	YES	N.A													0.15	3.60±0.20				

PLATING OPTIONS:

- 0.05-0.13µm/2-5µin GOLD IN CONTACT AREA AND 1.88µm/75µin MIN. MATTE TIN IN SOLDER TAIL AREA OVER 1.27µm/50µin MIN. NICKEL OVERALL.
- 0.38µm/15µin MIN. GOLD IN CONTACT AREA AND 1.88µm/75µin MIN. MATTE TIN IN SOLDER TAIL AREA OVER 1.27µm/50µin MIN. NICKEL OVERALL.
- 0.76µm/30µin MIN. GOLD IN CONTACT AREA AND 1.88µm/75µin MIN. MATTE TIN IN SOLDER TAIL AREA OVER 1.27µm/50µin MIN. NICKEL OVERALL.
- 2.50µm/100µin MIN. MATTE TIN OVER 1.25µm/50µin MIN. NICKEL OVERALL.

THIS DRAWING CONTAINS INFORMATION THAT IS PROPRIETARY TO MOLEX ELECTRONIC TECHNOLOGIES, LLC AND SHOULD NOT BE USED WITHOUT WRITTEN PERMISSION

EC NO: 721932 DRWN: DANUSA CHKD: DANUSA REV APPR: MIRAMAKRISHNA	2022/07/25	GENERAL TOLERANCES (UNLESS SPECIFIED)	DIMENSION UNITS		SCALE				
	2022/09/20		MM	INCH	MM	NTS			
	2022/09/20		4 PLACES ±	±	DRWN BY	DATE		MILLIGRID 2MM PITCH, SMT VERTICAL SHROUDED HEADER	
			3 PLACES ±	±	GMENARLY	2015/05/22			
	2 PLACES ± 0.2	±	CHK'D BY	DATE	PRODUCT CUSTOMER DRAWING				
	1 PLACES ±	±	CGOH	2015/09/21					
	0 PLACES ±	±	APPR BY	DATE	SERIES: 87832 MATERIAL NUMBER: SEE TABLE CUSTOMER: GENERAL MARKET				
			KHLIM	2015/09/22					
		ANGULAR TOL = 3.0	DRAWING SIZE	THIRD ANGLE PROJECTION		DOCUMENT NUMBER	DOC TYPE	DOC PART	SHEET NUMBER
A21		DRAFT WHERE APPLICABLE MUST REMAIN WITHIN DIMENSIONS	A3			SD-87832-0001	PSD	001	9 OF 13


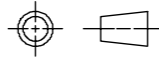
26 TO 38 CIRCUITS

CKT SIZE	ASSY P/N WITHOUT CAP IN TUBE	ASSY P/N WITH CAP IN TUBE	ASSY P/N WITH CAP IN T&R	ASSY P/N WITHOUT CAP IN T&R	T&R OPTIONS (SEE SHEET 12)	PLATING OPTIONS	FRICTION LOCKS		DUAL SIDE SLOTS	CENTER POLARIZATION	PEGS	DIMENSION																		
							DUAL	CENTER				A	B	C	D	E	F	G (COPLAN)	H											
E 26	87832-2660	87832-2662	87832-6262		1	1	YES	N.A	YES	YES	YES	28.65	26.85	24.00	20.00	22.00	27.00	0.15	3.60±0.20											
	87832-2620	87832-2622	87832-6222		1	2																								
	87832-2621	87832-2623	87832-6223		1	3																								
	87832-2670	87832-2672	87832-6272		1	4												YES	N.A	YES	YES	N.A							0.15	3.60±0.20
	87832-2612	87832-2616	N.A		N.A	2																								
	87832-2619	87832-2645	87832-2635		1	1																								
D 28	87832-2860	87832-2862	87832-6362		1	1	YES	N.A	YES	YES	YES	30.65	28.85	26.00	22.00	24.00	29.00	0.15	3.60±0.20											
	87832-2820	87832-2822	87832-6322		1	2																								
	87832-2821	87832-2823	87832-6323		1	3																								
	87832-2870	87832-2872	87832-6372		1	4												YES	N.A	YES	YES	N.A							0.15	3.60±0.20
	N.A	87832-2816	N.A		1	2																								
	N.A	87832-2819	N.A		1	1																								
D 30	87832-3060	87832-3062	87832-6462		1	1	YES	N.A	YES	YES	YES	32.65	30.85	28.00	24.00	26.00	31.00	0.15	3.60±0.20											
	87832-3020	87832-3022	87832-6422		1	2																								
	87832-3021	87832-3023	87832-6423		1	3																								
	87832-3070	87832-3072	87832-6472		1	4												YES	N.A	YES	YES	N.A							0.15	3.60±0.20
	87832-3012	87832-3016	87832-3014		3	2																								
	87832-3260	87832-3262	87832-6562		1	1																								
C 32	87832-3220	87832-3222	87832-6522		1	2	YES	N.A	YES	YES	YES	34.65	32.85	30.00	26.00	28.00	33.00	0.15	3.60±0.20											
	87832-3221	87832-3223	87832-6523		1	3																								
	87832-3270	87832-3272	87832-6572		1	4																								
	87832-3460	87832-3462	87832-6662	87832-6630	1	1														YES	N.A	YES	YES	YES	36.65	34.85	32.00	28.00	30.00	35.00
87832-3420	87832-3422	87832-6622		1	2																									
87832-3421	87832-3423	87832-6623		1	3																									
87832-3470	87832-3472	87832-6672		1	4	YES	N.A	YES	YES	N.A							0.15	3.60±0.20												
87832-3412	87832-3416	87832-3414		3	2																									
87832-3419	87832-3445	87832-3435		3	1																									
B 36	87832-3660	87832-3662	N.A		N.A	1	YES	N.A	YES	YES	YES	38.65	36.85	34.00	30.00	32.00	37.00	0.15	3.60±0.20											
	87832-3620	87832-3622	N.A		N.A	2																								
	87832-3621	87832-3623	87832-3673		N.A	3																								
	87832-3670	87832-3672	N.A		N.A	4																								
B 38	87832-3860	87832-3862	N.A		N.A	1	YES	N.A	YES	YES	YES	40.65	38.85	36.00	32.00	34.00	39.00	0.15	3.60±0.20											
	87832-3820	87832-3822	87832-6822		N.A	2																								
	87832-3821	87832-3823	87832-3874		N.A	3																								
	87832-3870	87832-3872	N.A		N.A	4																								

PLATING OPTIONS:

- 0.05-0.13µm/2-5µin GOLD IN CONTACT AREA AND 1.88µm/75µin MIN. MATTE TIN IN SOLDER TAIL AREA OVER 1.27µm/50µin MIN. NICKEL OVERALL.
- 0.38µm/15µin MIN. GOLD IN CONTACT AREA AND 1.88µm/75µin MIN. MATTE TIN IN SOLDER TAIL AREA OVER 1.27µm/50µin MIN. NICKEL OVERALL.
- 0.76µm/30µin MIN. GOLD IN CONTACT AREA AND 1.88µm/75µin MIN. MATTE TIN IN SOLDER TAIL AREA OVER 1.27µm/50µin MIN. NICKEL OVERALL.
- 2.50µm/100µin MIN. MATTE TIN OVER 1.25µm/50µin MIN. NICKEL OVERALL.

THIS DRAWING CONTAINS INFORMATION THAT IS PROPRIETARY TO MOLEX ELECTRONIC TECHNOLOGIES, LLC AND SHOULD NOT BE USED WITHOUT WRITTEN PERMISSION

EC NO: 721932 DRWN: DANUSA CHK'D: DANUSA REV APPR: MRAMAKRISHNA	2022/07/25	GENERAL TOLERANCES (UNLESS SPECIFIED)		DIMENSION UNITS		SCALE		 MILLIGRID 2MM PITCH, SMT VERTICAL SHROUDED HEADER PRODUCT CUSTOMER DRAWING SERIES: 87832 MATERIAL NUMBER: SEE TABLE CUSTOMER: GENERAL MARKET DOCUMENT NUMBER: SD-87832-0001 DOC TYPE: PSD DOC PART: 001 SHEET NUMBER: 10 OF 13			
	2022/09/20	MM	INCH	MM	NTS						
	2022/09/20	DRWN BY	DATE	GMENARLY	2015/05/22						
		CHK'D BY	DATE	CGOH	2015/09/21						
		APPR BY	DATE	KHLIM	2015/09/22						
		ANGULAR TOL = 3.0		DRAWING SIZE	THIRD ANGLE PROJECTION						
		DRAFT WHERE APPLICABLE MUST REMAIN WITHIN DIMENSIONS		A3							

## 40 TO 50 CIRCUITS

CKT SIZE	ASSY P/N WITHOUT CAP IN TUBE	ASSY P/N WITH CAP IN TUBE	ASSY P/N WITH CAP IN T&R	ASSY P/N WITHOUT CAP IN T&R	T&R OPTIONS (SEE SHEET 12)	PLATING OPTIONS	FRICTION LOCKS		DUAL SIDE SLOTS	CENTER POLARIZATION	PEGS	DIMENSION								
							DUAL	CENTER				A	B	C	D	E	F	G (COPLAN)	H	
40	87832-4060	87832-4062	87832-6962		1	1														
	87832-4020	87832-4022	87832-6922		1	2														
	87832-4021	87832-4023	87832-6923		1	3	YES	N.A	YES	YES	YES	42.65	40.85	38.00	34.00	36.00	41.00	0.15	3.60±0.20	
	87832-4070	87832-4072	87832-6972		1	4														
	87832-4012	87832-4016	N.A		N.A	2	YES	N.A	YES	YES	N.A							0.15	3.60±0.20	
42	87832-4260	87832-4262	N.A		N.A	1														
	87832-4220	87832-4222	87832-4230		N.A	2														
	87832-4221	87832-4223	N.A		N.A	3	YES	N.A	YES	YES	44.65	42.85	40.00	36.00	38.00	43.00	0.15	3.60±0.20		
	87832-4270	87832-4272	N.A		N.A	4														
44	87832-4460	87832-4462	87832-7162		1	1														
	87832-4420	87832-4422	87832-7122		1	2														
	87832-4421	87832-4423	87832-7123		1	3	YES	N.A	YES	YES	YES	46.65	44.85	42.00	38.00	40.00	45.00	0.15	3.60±0.20	
	87832-4470	87832-4472	87832-7172		1	4														
	87832-4413	87832-4417	87832-4415		3	3	YES	N.A	YES	YES	N.A							0.15	3.60±0.20	
46	87832-4660	87832-4662	87832-7262		1	1														
	87832-4620	87832-4622	87832-7222	87832-7230	1	2														
	87832-4621	87832-4623	N.A		N.A	3	YES	N.A	YES	YES	YES	48.65	46.85	44.00	40.00	42.00	47.00	0.15	3.60±0.20	
	87832-4670	87832-4672	87832-7272		1	4														
48	87832-4860	87832-4862	N.A		N.A	1														
	87832-4820	87832-4822	N.A		N.A	2														
	87832-4821	87832-4823	N.A		N.A	3	YES	N.A	YES	YES	YES	50.65	48.85	46.00	42.00	44.00	49.00	0.15	3.60±0.20	
	87832-4870	87832-4872	N.A		N.A	4														
50	87832-5060	87832-5062	87832-7462		1	1														
	87832-5020	87832-5022	87832-7422		1	2														
	87832-5021	87832-5023	87832-7423		1	3	YES	N.A	YES	YES	YES	52.65	50.85	48.00	44.00	46.00	51.00	0.15	3.60±0.20	
	87832-5070	87832-5072	87832-7472		1	4														
	87832-5012	87832-5016	N.A		N.A	2	YES	N.A	YES	YES	N.A							0.15	3.60±0.20	

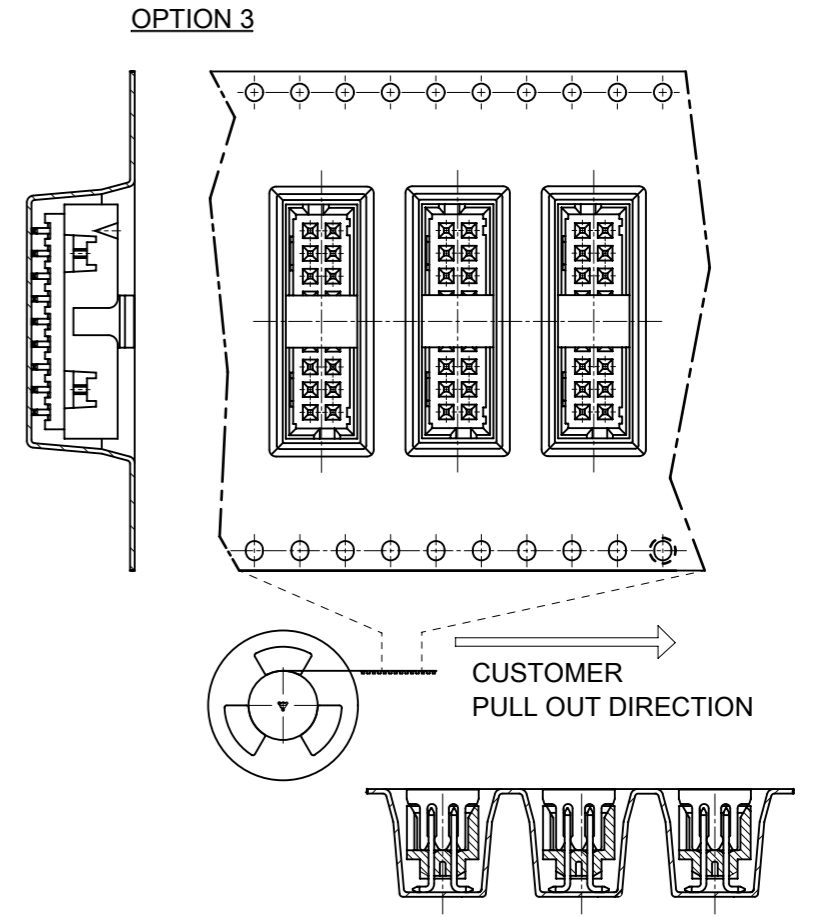
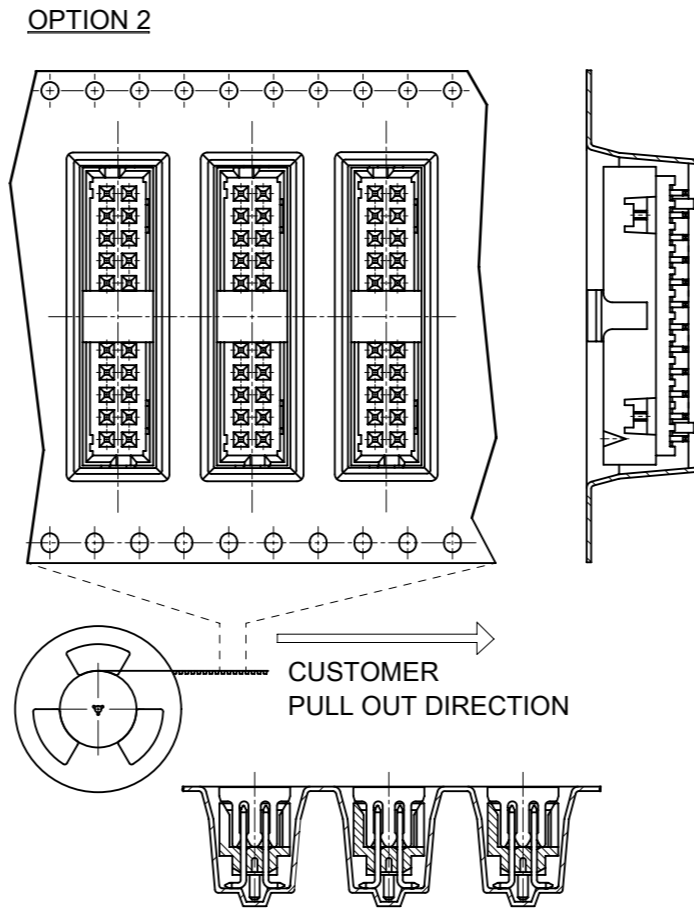
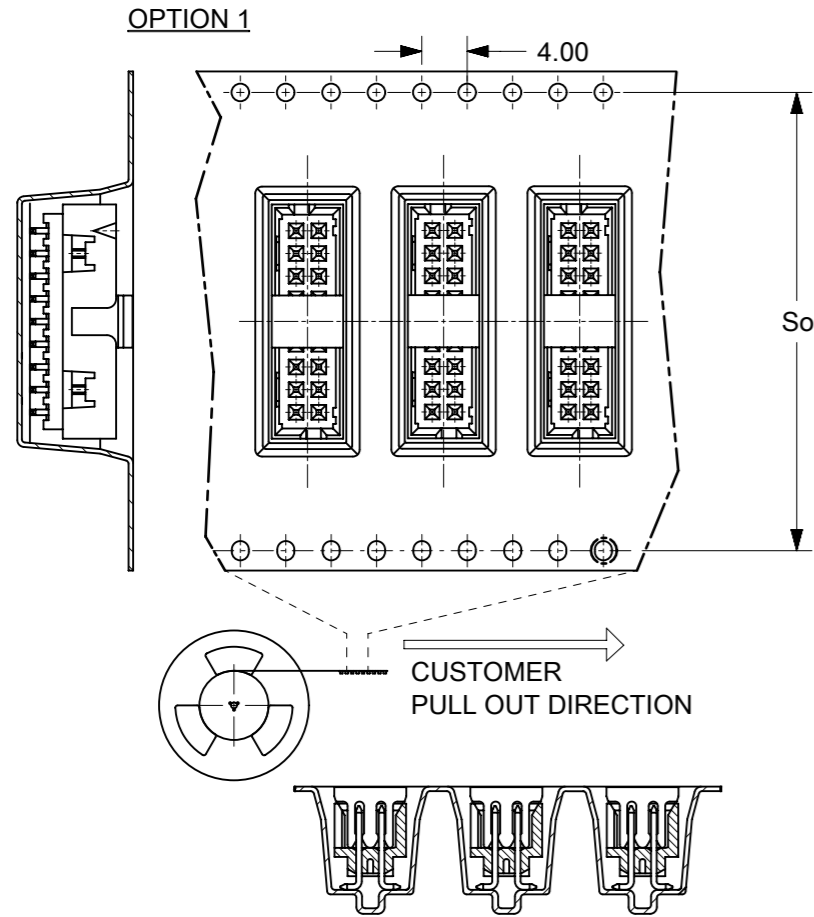
**PLATING OPTIONS:**

- 1 - 0.05-0.13µm/2-5µin GOLD IN CONTACT AREA AND 1.88µm/75µin MIN. MATTE TIN IN SOLDER TAIL AREA OVER 1.27µm/50µin MIN. NICKEL OVERALL.
- 2 - 0.38µm/15µin MIN. GOLD IN CONTACT AREA AND 1.88µm/75µin MIN. MATTE TIN IN SOLDER TAIL AREA OVER 1.27µm/50µin MIN. NICKEL OVERALL.
- 3 - 0.76µm/30µin MIN. GOLD IN CONTACT AREA AND 1.88µm/75µin MIN. MATTE TIN IN SOLDER TAIL AREA OVER 1.27µm/50µin MIN. NICKEL OVERALL.
- 4 - 2.50µm/100µin MIN. MATTE TIN OVER 1.25µm/50µin MIN. NICKEL OVERALL.

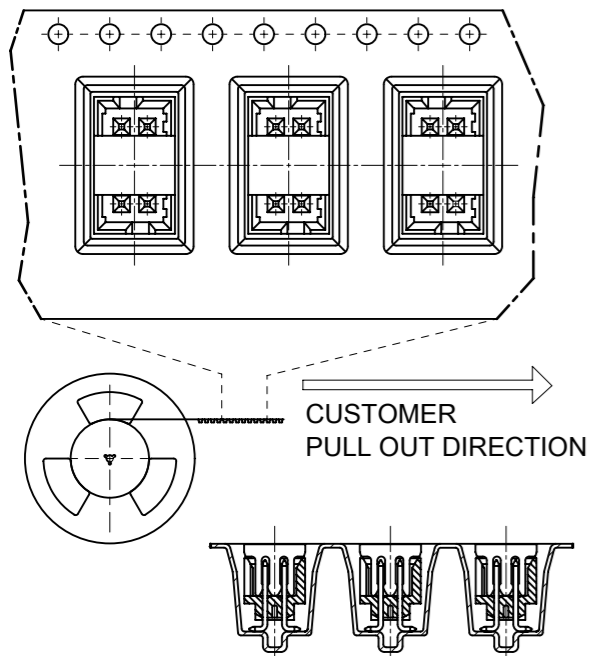
THIS DRAWING CONTAINS INFORMATION THAT IS PROPRIETARY TO MOLEX ELECTRONIC TECHNOLOGIES, LLC AND SHOULD NOT BE USED WITHOUT WRITTEN PERMISSION

EC NO: 721932 DRWN: DANUSA CHK'D: DANUSA REV APPR: MIRAMAKRISHNA	2022/07/25	2022/09/20	2022/09/20	GENERAL TOLERANCES (UNLESS SPECIFIED)		DIMENSION UNITS		SCALE		molex®							
				MM	INCH	MM	NTS			MILLIGRID 2MM PITCH, SMT VERTICAL SHROUDED HEADER  PRODUCT CUSTOMER DRAWING							
	4 PLACES	±	±	DRWN BY	DATE	GMENARLY		2015/05/22									
	3 PLACES	±	±	CHK'D BY	DATE	CGOH		2015/09/21									
	2 PLACES	± 0.2	±	APPR BY	DATE	KHLIM		2015/09/22									
1 PLACES	±	±			DRAWING SIZE		THIRD ANGLE PROJECTION		SERIES		MATERIAL NUMBER		CUSTOMER				
0 PLACES	±	±			A3				87832		SEE TABLE		GENERAL MARKET				
				ANGULAR TOL = 3.0						DOCUMENT NUMBER		DOC TYPE		DOC PART		SHEET NUMBER	
				DRAFT WHERE APPLICABLE MUST REMAIN WITHIN DIMENSIONS						SD-87832-0001		PSD		001		11 OF 13	

# PACKAGING OPTIONS



## VIEW FOR 1 SIDE PILOT HOLE



## PACKAGING SPECIFICATION TABLE

TAPE AND REEL PACKAGING	PK-87832-300
TUBE STANDARD PACKAGING	PK-87831-001
TUBE NON-STANDARD PACKAGING FOR: 87832-0411 87832-0824 87832-1072 87832-1412	PK-87831-002

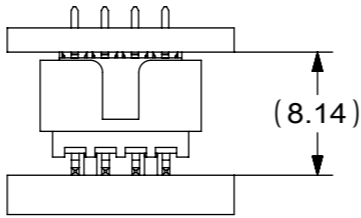
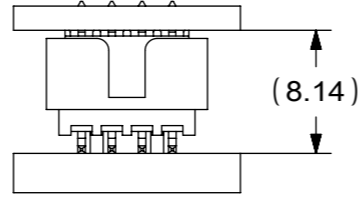
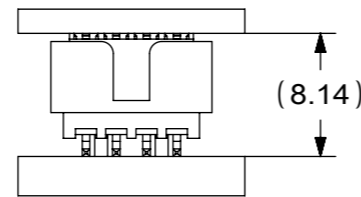
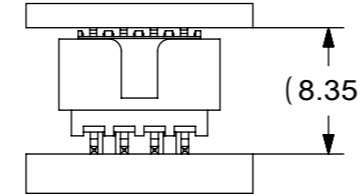
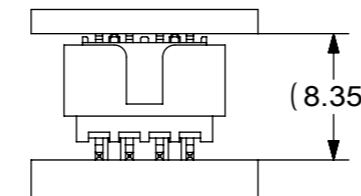
## EMBOSSED TAPE & REEL POCKET DESCRIPTIONS


OPTIONS	CENTER POLARIZATION OPTIONS		PEG OPTIONS		PILOT HOLE OPTIONS	
	ON THE LEFT	ON THE RIGHT	WITH PEG	WITHOUT PEG	2 SIDES	1 SIDE
1	YES	N.A	YES	N.A	CKT 12-50	CKT 4-10
2	N.A	YES	YES	YES	CKT 12-50	CKT 4-10
3	YES	N.A	N.A	YES	CKT 12-50	CKT 4-10

THIS DRAWING CONTAINS INFORMATION THAT IS PROPRIETARY TO MOLEX ELECTRONIC TECHNOLOGIES, LLC AND SHOULD NOT BE USED WITHOUT WRITTEN PERMISSION

EC NO: 721932 DRWN: DANUSA CHK'D: DANUSA REV APPR: MRAMAKRISHNA	2022/07/25	GENERAL TOLERANCES (UNLESS SPECIFIED)	DIMENSION UNITS		SCALE		
	2022/09/20		MM	INCH	MM	NTS	
2022/09/20	4 PLACES ±	MM	INCH	DRWN BY	DATE	MILLIGRID 2MM PITCH, SMT VERTICAL SHROUDED HEADER	
	3 PLACES ±	MM	INCH	GMENARLY	2015/05/22		
	2 PLACES ± 0.2	MM	INCH	CHK'D BY	DATE		
	1 PLACES ±	MM	INCH	CGOH	2015/09/21	PRODUCT CUSTOMER DRAWING	
	0 PLACES ±	MM	INCH	APPR BY	DATE		
	ANGULAR TOL = 3.0	DRAWING SIZE		THIRD ANGLE PROJECTION		SERIES: 87832 MATERIAL NUMBER: SEE TABLE CUSTOMER: GENERAL MARKET	
	DRAFT WHERE APPLICABLE MUST REMAIN WITHIN DIMENSIONS	A3				DOCUMENT NUMBER: SD-87832-0001 DOC TYPE: PSD DOC PART: 001 SHEET NUMBER: 12 OF 13	

# BOARD TO BOARD (BTB) DISTANCE

HEADER	MATES WITH (RECEPTACLE)	BTB DIST.	PICTORIAL VIEW
87832	79107	8.14	
	78787	8.14	
	79108	8.14	
	79109	8.35	
	78788	8.35	

THIS DRAWING CONTAINS INFORMATION THAT IS PROPRIETARY TO MOLEX ELECTRONIC TECHNOLOGIES, LLC AND SHOULD NOT BE USED WITHOUT WRITTEN PERMISSION											
DIMENSION UNITS		SCALE		CURRENT REV DESC:							
mm		NTS									
GENERAL TOLERANCES (UNLESS SPECIFIED)				EC NO: 721932		DRWN: DANUSA		2022/07/25		MILLIGRID	
				CHK'D: DANUSA		2022/09/20		2MM PITCH, SMT VERTICAL SHROUDED HEADER			
				APPR: MRAMAKRISHNA		2022/09/20		PRODUCT CUSTOMER DRAWING			
				INITIAL REVISION:		DRWN: DRWN BY		XXXX/XX/XX		DOCUMENT NUMBER	
				APPR: APPR BY		XXXX/XX/XX		SD-87832-0001		DOC TYPE	
				ANGULAR TOL ± 3.0°		DRAWING		A3-SIZE		DOC PART	
				DRAFT WHERE APPLICABLE MUST REMAIN WITHIN DIMENSIONS		THIRD ANGLE PROJECTION		SERIES		REVISION	
								87832		001 A21	
								MATERIAL NUMBER		CUSTOMER	
								GENERAL MARKET		SHEET NUMBER	
										13 OF 13	