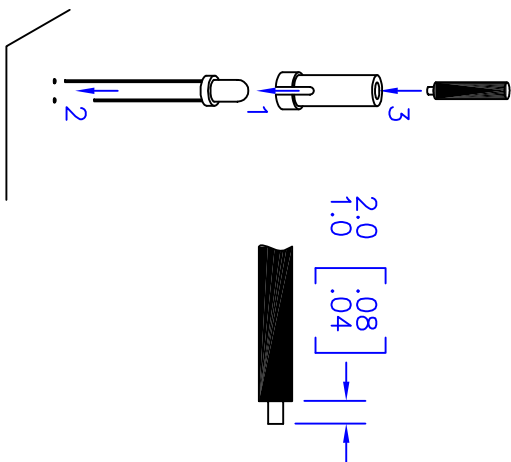


**LIGHT PIPE**

**PREPARATION/INSTALLATION:**



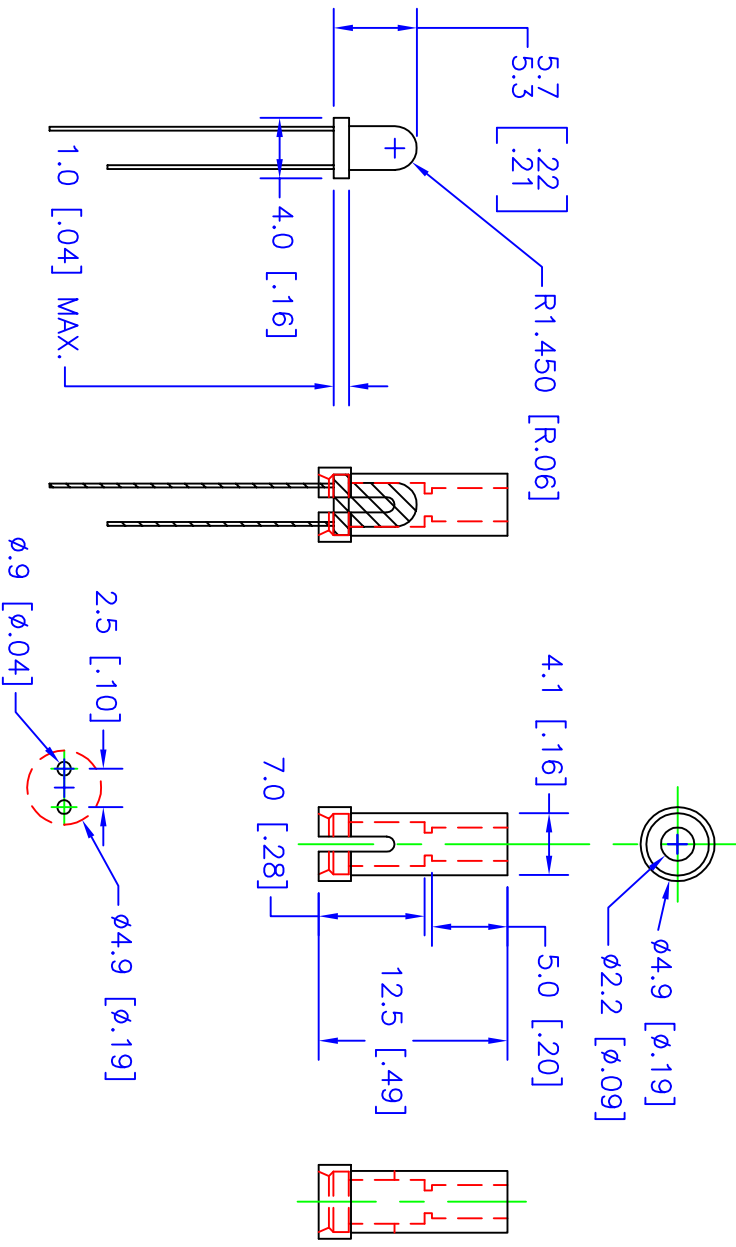
**NOTES:**

1. ROHS COMPLIANT
2. UL 94V-2 FLAMMABILITY RATING
3. -40°C TO 85°C OPERATING TEMPERATURE
4. SUITABLE FOR LIGHT PIPE WITH  $\phi 2.2$ mm JACKET AND OPTICAL CORE NO GREATER THAN  $\phi 1.5$ mm
5. DO NOT WAVE SOLDER WITH THIS DEVICE
6. FOR BEST RESULTS USE ONLY NARROW VIEWING ANGLE NON-DIFFUSED LEDS WITH OUTPUT POWER GREATER THAN 100mcd
7. NOT RECOMMENDED FOR DATA COMMUNICATIONS



**METRIC**

REVISIONS		ECO	DATE	DWN	APVD
REV	DESCRIPTION				
C	REVISED STRIP LENGTH FROM 1.0 $\phi$ .05	0034	09/17/09	BB	KS



PART IS MADE OF BLACK NYLON.

UNLESS OTHERWISE SPECIFIED		PRODUCT	LIGHT PIPE	
DIMENSIONS MILLIMETERS [IN.]		MATERIAL	NYLON 66	
TOLERANCES		FINISH	NONE	
0 PLC: $\pm 1$	SURFACE 3 $\sqrt{2}$	DRAWN BY	B. BIDWELL	
1 PLC: $\pm 0.25$	TEXTURE: $\checkmark$	DATE	11/12/08	
2 PLC: $\pm 0.127$		CHECKED BY	K. STOTZ	
3 PLC: $\pm 0.25$		DATE	09/17/09	
4 PLC: $\pm 0.13$				
ANGLE: $\pm 1/2$				
REMOVE BURRS AND SHARP EDGES		DO NOT SCALE	DRAWING	
FLATNESS .005 MM PER MM		SCALE	2:1	
ALL DIMENSIONS AFTER FINISH		PART NUMBER	51 0320	
		SHEET	1 OF 1	

**INDUSTRIAL FIBER OPTICS**

TEMPE, AZ 85281

MOUNT, VERTICAL LED  
TO LIGHT PIPE

NAME	MOUNT, VERTICAL LED TO LIGHT PIPE		
SIZE	SCALE	PART NUMBER	REV
A	2:1	51 0320	C