

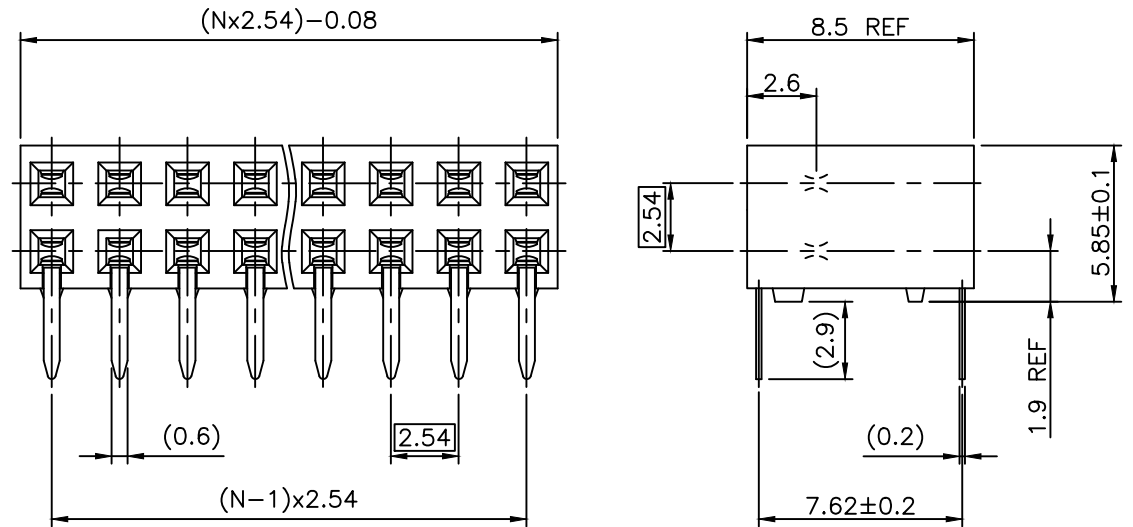
PRODUCT NUMBER

89883-YXXXLF

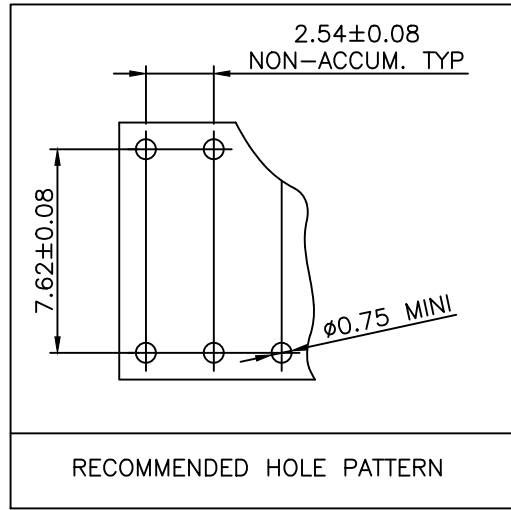
- RoHS COMPATIBLE, SEE NOTE 5.
- OPTIONAL LETTER
H: HIGH TEMPERATURE PRODUCT.
- NUMBER OF POSITIONS PER ROW: 02 TO 65.
- PLATING CODE
3= 0.76µm GOLD ON CONTACT AREA.
2µm MIN MATTE TIN ON TAIL.
- 4= 2µm MIN MATTE TIN FULL PLATED
- 7= 1.27µm GOLD ON CONTACT AREA.
2µm MIN MATTE TIN ON TAIL.
- 1.27µm Ni MIN UNDERPLATING

NOTES:

- 1 - HOUSING MAT'L: THERMOPLASTIC GLASS FILLED FLAME RETARDANT PER UL 94 V-0.
LOW TEMPERATURE: COLOR BLUE.
HIGH TEMPERATURE: COLOR GREY.
- 2 - TERMINAL MATERIAL: PHOSPHOR BRONZE.
- 3 - 2 UP TO 4 POSITIONS PRODUCT PACKED IN PLASTIC BOX.
5 UP TO 65 POSITIONS PRODUCT PACKED IN TUBE.
- 4 - TO DETERMINE DIMENSIONS:
N = NUMBER OF POSITIONS PER ROW
EXAMPLE: 8 POS: (N×2.54)-0.08=20.24 mm.
- 5 - RoHS COMPATIBLE PRODUCT SPECIFICATIONS
 - a - PLATING:
 - "LF" MEANS THE PRODUCT IS LEAD-FREE,
2µm MINIMUM MATTE TIN OVER 1.27µm
MINIMUM NICKEL UNDERPLATE.
 - b - MANUFACTURING PROCESS COMPATIBILITY
 - THE HOUSING WILL WITHSTAND EXPOSURE TO
260°C ±5°C SOLDER BATH TEMPERATURE FOR
5 SECONDS IN A WAVE SOLDER APPLICATION
WITH A 1.6mm MIN THICK CIRCUIT BOARD.
 - c - LABELING:
 - MEETS PACKAGING SPECS AS PER GS-14-920
 - d - LEGAL STATEMENT: SEE GS-47-0004



mat'l. code				surface		tolerance		projection		product family		
SEE NOTES				ISO 1302 ✓		ISO 406 ISO 1101				DUBOX		
ltr	ecn no	dr	date	tolerances unless otherwise specified		±0.3		mm		title		
K	F-47149	LMU	23.01.31	angles	linear			scale 5:1		BtB RECEPT. HORIZ DR TMT		
E	F70454	PNZ	97.06.23	±2'					dwg no		sheet 1 of 2	
F	F10110	GCO	01.01.16	dr	D LEGRAND	04.09.28			size		A3	
G	F04-0347	DLE	04.09.28	engr	P NIZZI	04.09.28			89883			
H	F06-0204	DLE	06.06.21	chr	D LEGRAND	04.09.28			type		CUSTOMER	Drawing
J	B-19123	LMU	14.10.21	appd	P NZ	04.09.28						
sheet	revision	K	B									
index	sheet	1	2									



Copyright FCI

mat'l. code		surface		tolerance		projection		product family	
SEE SHEET 1		ISO 1302 ✓		ISO 406 ISO 1101				DUBOX	
ltr	ecn no	dr	date	tolerances unless otherwise specified		mm		title	
A	F04-0347	DLE	04.09.28	angles	linear	±0.3		BtB RECEPT. HORIZ DR TMT	
B	F06-0204	DLE	06.06.21						
				±2'			scale 5:1		
		dr	D LEGRAND	04.09.28			dwg no		
		enfr	P NIZZI	04.09.28			sheet 2 of 2		size
		chr	D LE	04.09.28			89883		A4
		appd	P NZ	04.09.28			CUSTOMER		Drawing
sheet index	revision sheet								