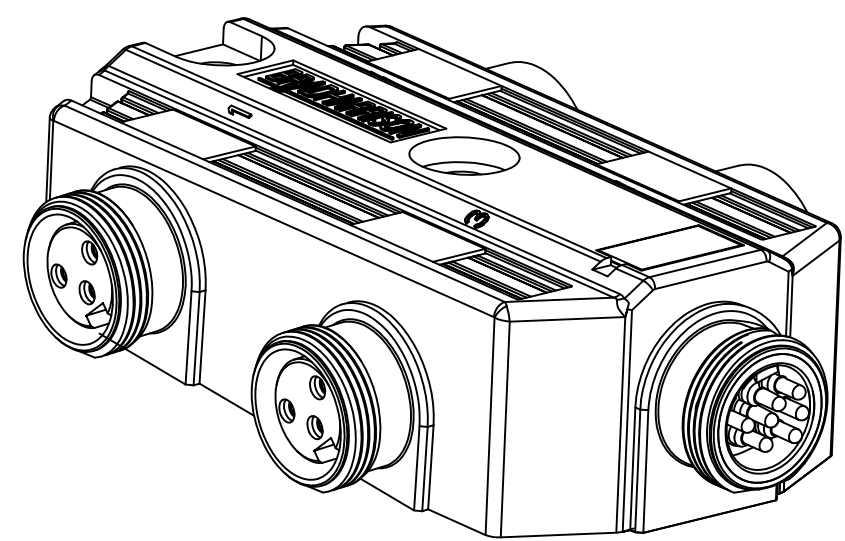


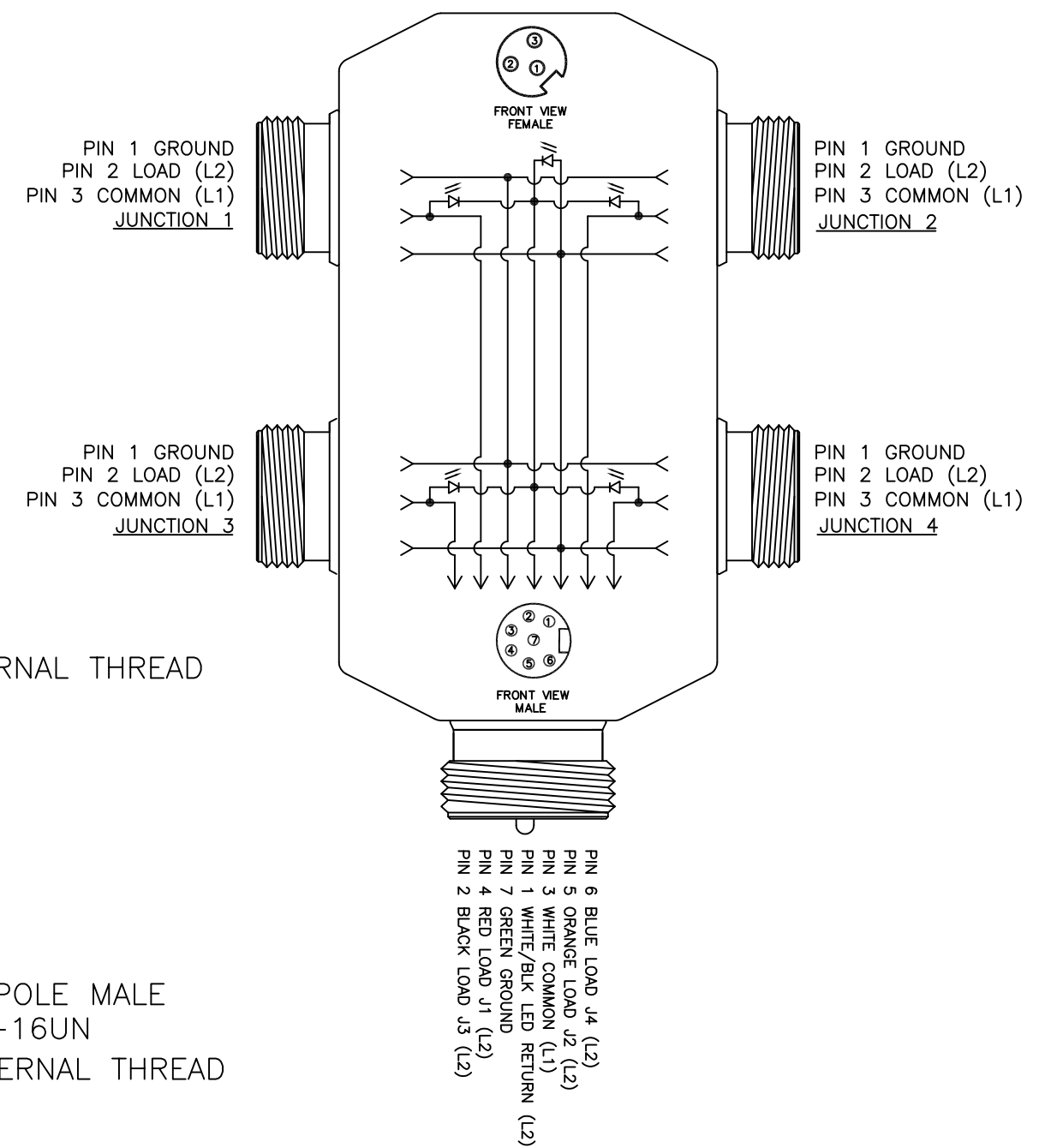
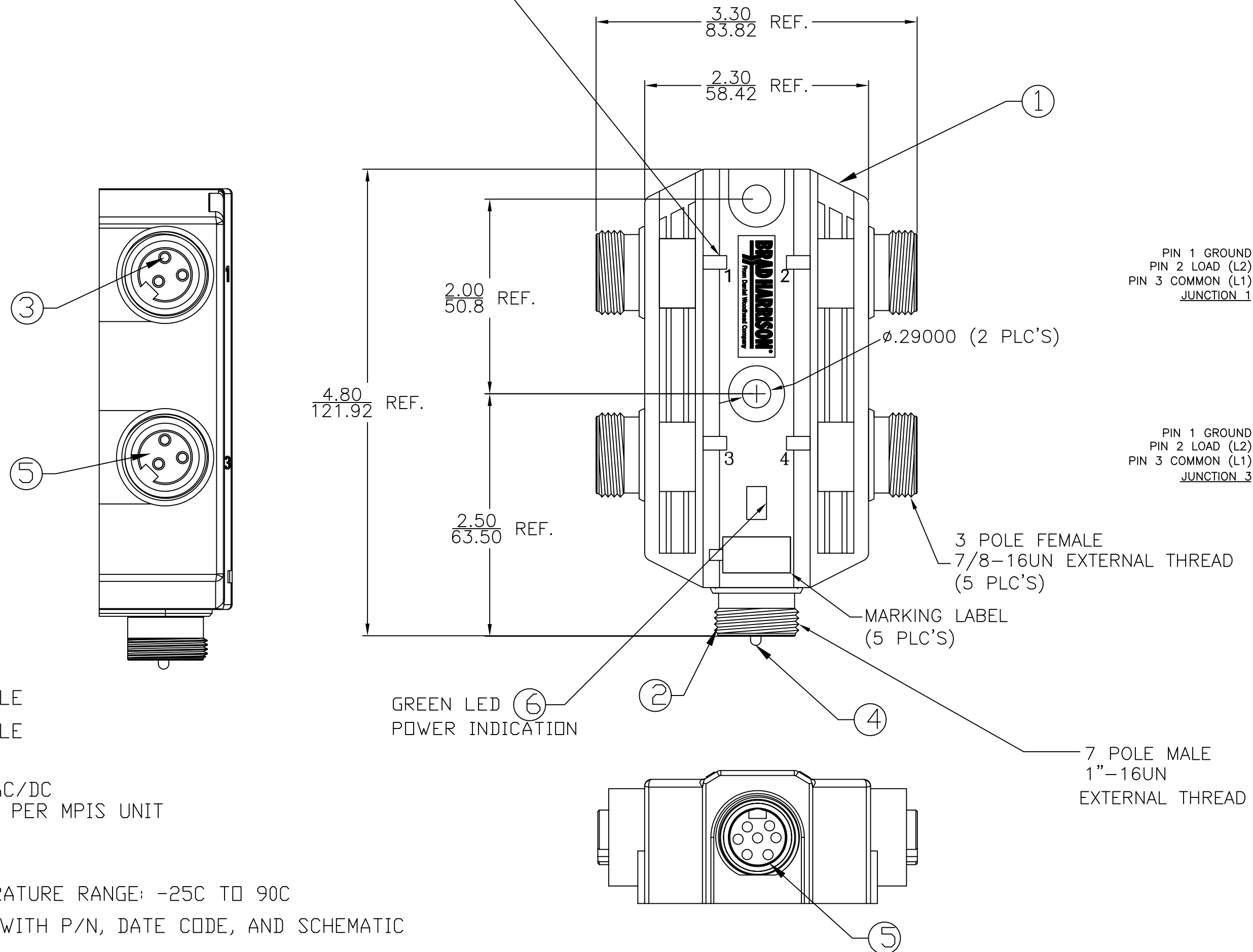
| | |
|-----------------|--------------------|
| MATERIAL NUMBER | ENGINEERING NUMBER |
| 1300600023 | 410P401 |



YELLOW LED (6)
OUTPUT INDICATION

DIMENSIONAL

SCHEMATIC



- NOTES:
- 1) MATERIAL: SEE TABLE
 - 2) FINISHES: SEE TABLE
 - 3) ELECTRICAL DATA:
VOLTAGE: 600V AC/DC
AMPERAGE: 7AMPS PER MPIS UNIT
 - 4) ENVIRONMENTAL:
PROTECTION IP67
OPERATING TEMPERATURE RANGE: -25C TO 90C
 - 5) LABEL IS MARKED WITH P/N, DATE CODE, AND SCHEMATIC
 - 6) CERTIFICATION:
UL: UL RECOGNIZED
CSA: CSA CERTIFIED

| ITEM | QTY. | DESCRIPTION | MATERIAL | FINISH |
|------|------|------------------|------------------------------|-------------|
| 6 | 5 | LENS | POLYCARBONATE, LEXAN 141R112 | CLEAR |
| 5 | 5 | INSERT | PVC | YELLOW |
| 4 | 7 | PIN CONTACT | COPPER ALLOY | GOLD PLATED |
| 3 | 12 | SOCKET CONTACT | COPPER ALLOY | GOLD PLATED |
| 2 | 5 | RECEPTACLE SHELL | E-COATED ZINC ALLOY | BLACK |
| 1 | 1 | HOUSING | PBT | YELLOW |

| | | | | | | | | | |
|---|----------------|---------------------------------------|--|-----------------|-------------|---------------|---|---|-----------|
| RELEASE EC NO: WNA2010-0456 DRWN: TWOLDEGE 2010/01/22 CH'KD: BWOODMAN APPR: JFMURPHY 2010/01/29 | QUALITY SYMBOL | GENERAL TOLERANCES (UNLESS SPECIFIED) | | DIMENSION STYLE | | SCALE | DESIGN UNITS | THIRD ANGLE PROJECTION | |
| | ▽=0 | 4 PLACES | mm | INCH | DRAWN BY | DATE | TITLE | 4PORT S. MOUNT MPIS LED 4PORT 3-POLE FEMALE W/ 7P MALE HOME RUN CONN. | |
| | ∇=0 | 3 PLACES | ±--- | ±--- | CHECKED BY | DATE | MOLEX MOLEX INCORPORATED | | |
| | | 2 PLACES | ±0.13 | ±0.10 | APPROVED BY | DATE | | DOCUMENT NO. | SHEET NO. |
| | 1 PLACE | ±0.25 | ±0.20 | JFMURPHY | 2010/01/29 | SD-130060-005 | 1 OF 1 | | |
| | ANGULAR ±1/2° | | DRAFT WHERE APPLICABLE MUST REMAIN WITHIN DIMENSIONS | | SEE CHART | | THIS DRAWING CONTAINS INFORMATION THAT IS PROPRIETARY TO MOLEX INCORPORATED AND SHOULD NOT BE USED WITHOUT WRITTEN PERMISSION | | |