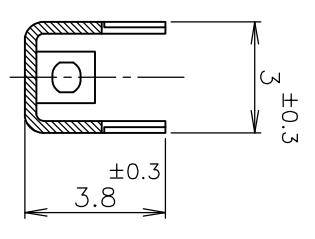
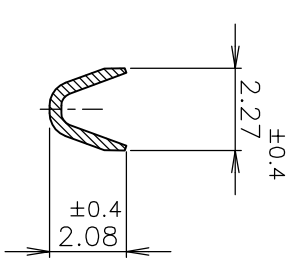


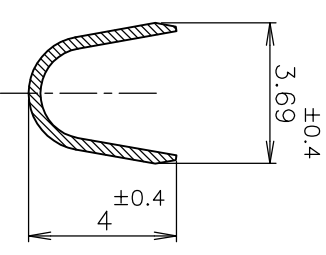
Loc	DIST	REVISIONS		
ES	00	P	DESCRIPTION	DATE
		LTR		DWN
		B	REVISED ECR-08-010159	22APR08
				C.Z S.Y



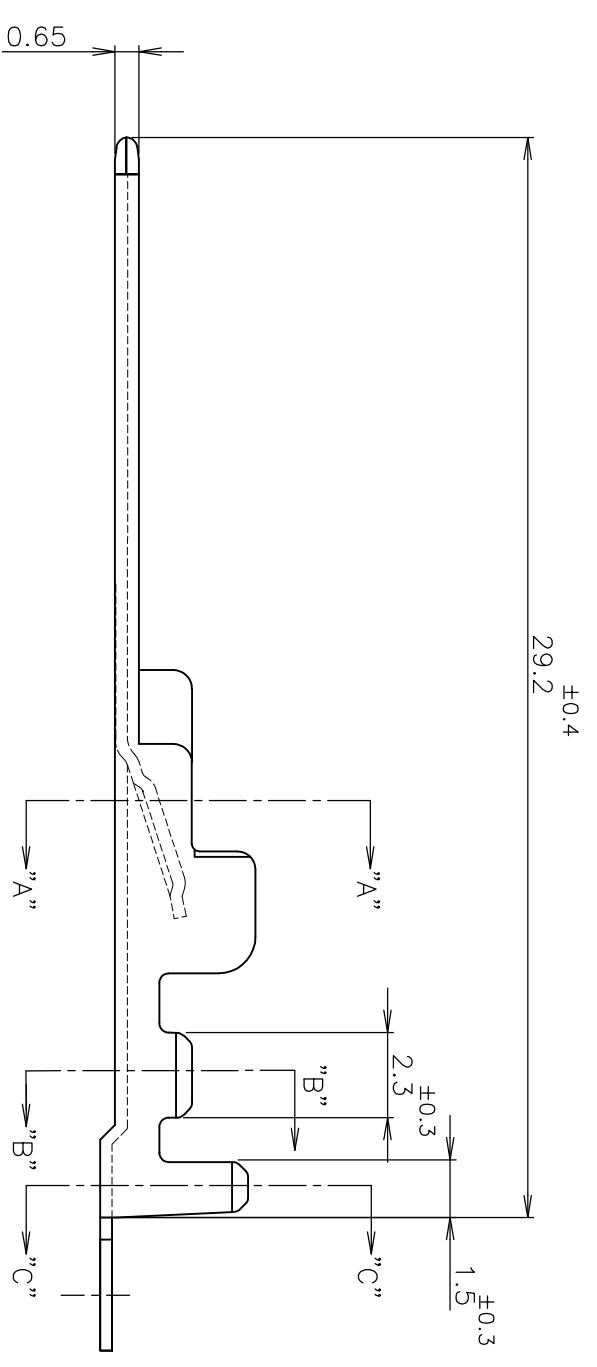
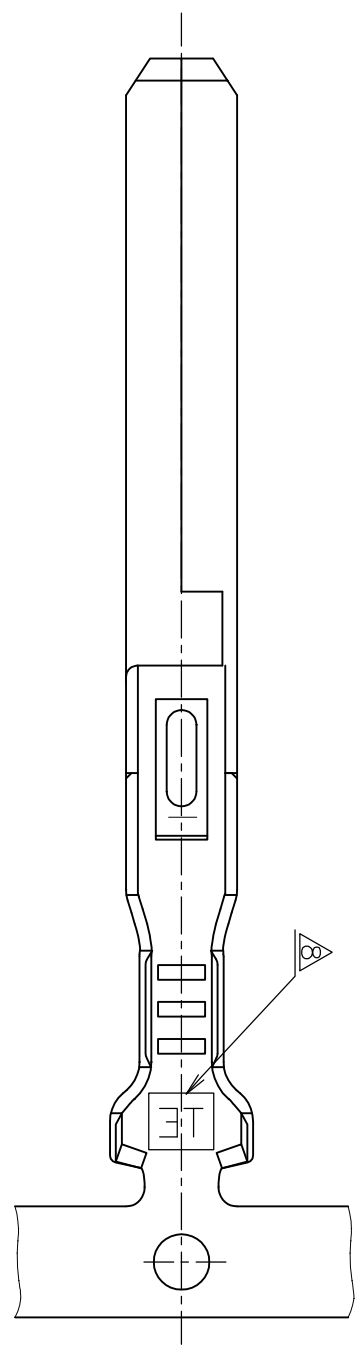
SECT "A" - "A"



SECT "B" - "B"



SECT "C" - "C"



NOTES:

- 1 MATERIAL : COPPER ALLOY.
- 2 FINISH : PRE-PLATED
- 3 FINISH : TIN PL ALL OVER
- 4 FINISH : PRE-PLATED
- 5 USED CONNECTOR P/N : X-179325-X, X-179318-X : X-179388-X
- 6 APPLICATION SPECIFICATION : (114-5182)
- GENERAL TOLERANCE
 - 10 μ : ±0.2
 - 30 μ >10 : ±0.25
 - 100 μ >30 : ±0.3
 - ANGLES : ±3°
- TRADE MARK: "TE"

4	179322-3
3	1-179322-2
2	179322-2
FINISH	P/N

WIRE RANGE 0.2~0.5mm² (AWG20~24)
 INSULATION DIA ϕ 1.4~2.6 mm

Tyco Electronics
 Tyco Electronics Corporation
 Shanghai, P.R.China, 200233

PLUG TAB CONTACT
 HYBRID MINI DRAWER CONNECTOR

THIS DRAWING IS A CONTROLLED DOCUMENT.	
DIMENSIONS: MM	TOLERANCES UNLESS OTHERWISE SPECIFIED:
0 PLC	±
1 PLC	±
2 PLC	±
3 PLC	±
4 PLC ANGLES	±
MATERIAL	1

DWN	03FEB94
CHK	T.YAMAD
Y.FUJUIRA	08FEB94
APVD	08FEB94
PRODUCT SPEC	
APPLICATION SPEC	
WEIGHT	114-5182
CUSTOMER DRAWING	

SIZE	A3	CAGE CODE	00779	DRAWING NO	179322	RESTRICTED TO	
SCALE	NTS	SHEET	1	OF	1	REV	B