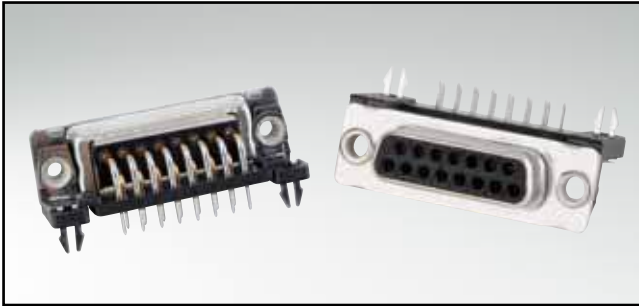


C-FILTER D-SUB STANDARD

Solder pin – Angled – .370" / 9.4 mm – Precision machined contacts – Plastic bracket

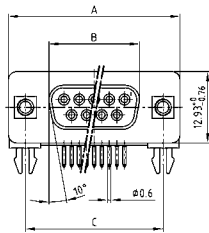


RoHS compliant – CSA listed, File No.: LR 115000-1 – UL listed, File No.: E202784

DESCRIPTION

- Mounting styles:
 - Mounting bracket with PCB clip and 4-40 UNC or M3 threaded insert
 - Mounting bracket with PCB clip and through-hole $\varnothing .118" / 3.0$ mm
- Quality class 3 (also available in quality class 1)
- Shell: Steel tin plated (brass tin plated on request)

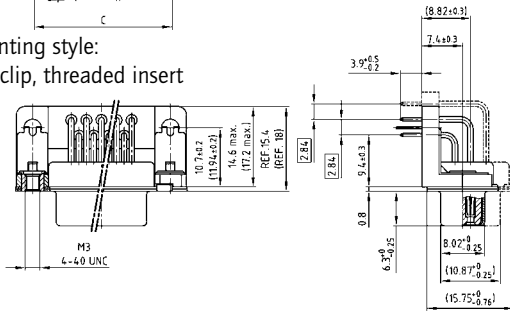
SOCKET CONNECTOR



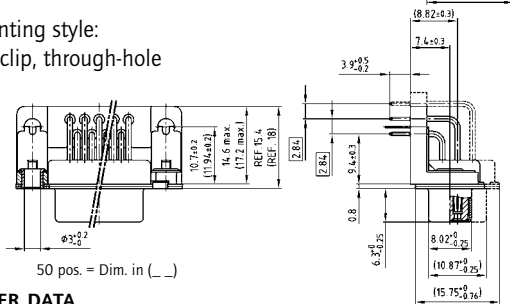
No. of pos.	A -0.76	B -0.25	C
09	31.19	16.46	25.00 $^{+0.12}_{-0.13}$
15	39.52	24.79	33.30 $^{+0.15}_{-0.10}$
25	53.42	38.50	47.04 ± 0.13
37	69.70	54.96	63.50 ± 0.13
50	67.31	52.55	61.10 $^{+0.14}_{-0.11}$

PCB layout: Kat1kGGA

Mounting style:
PCB clip, threaded insert

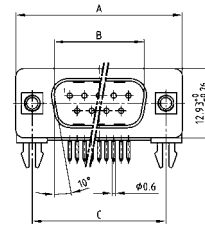


Mounting style:
PCB clip, through-hole



50 pos. = Dim. in (_)

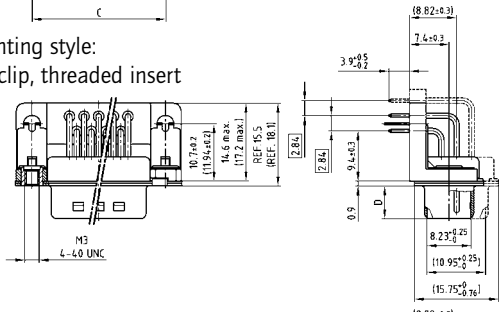
PLUG CONNECTOR



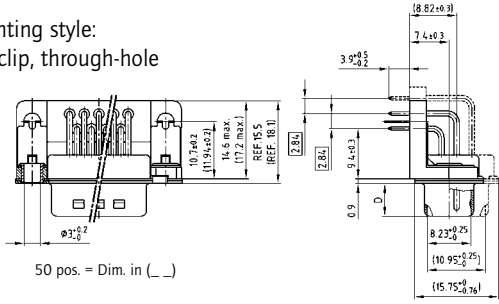
No. of pos.	A -0.76	B -0.25	C	D -0.3
09	31.19	16.79	25.00 $^{+0.12}_{-0.13}$	6.12
15	39.52	25.12	33.30 $^{+0.15}_{-0.10}$	6.12
25	53.42	38.84	47.04 ± 0.13	5.99
37	69.70	55.30	63.50 ± 0.13	5.99
50	67.31	52.68	61.10 $^{+0.14}_{-0.11}$	5.99

PCB layout: Kat1kGHA

Mounting style:
PCB clip, threaded insert



Mounting style:
PCB clip, through-hole



50 pos. = Dim. in (_)

ORDER DATA

Capacitance 180 pF

SOCKET CONNECTOR		
No. of pos.	Mounting style	Part Number
09	PCB clip / 4-40 UNC Threaded insert	242 A 17020 X
15	PCB clip / 4-40 UNC Threaded insert	242 A 17030 X
25	PCB clip / 4-40 UNC Threaded insert	242 A 17040 X
37	PCB clip / 4-40 UNC Threaded insert	242 A 17050 X
50	PCB clip / 4-40 UNC Threaded insert	242 A 24020 X
09	PCB clip / M3 Threaded insert	242 A 17060 X
15	PCB clip / M3 Threaded insert	242 A 17070 X
25	PCB clip / M3 Threaded insert	242 A 17080 X
37	PCB clip / M3 Threaded insert	242 A 17090 X
50	PCB clip / M3 Threaded insert	242 A 24060 X
09	PCB clip / Through-hole	242 A 16980 X
15	PCB clip / Through-hole	242 A 16990 X
25	PCB clip / Through-hole	242 A 17000 X
37	PCB clip / Through-hole	242 A 17010 X
50	PCB clip / Through-hole	242 A 23980 X

PLUG CONNECTOR		
No. of pos.	Mounting style	Part Number
09	PCB clip / 4-40 UNC Threaded insert	241 A 19640 X
15	PCB clip / 4-40 UNC Threaded insert	241 A 19650 X
25	PCB clip / 4-40 UNC Threaded insert	241 A 19660 X
37	PCB clip / 4-40 UNC Threaded insert	241 A 19670 X
50	PCB clip / 4-40 UNC Threaded insert	241 A 24120 X
09	PCB clip / M3 Threaded insert	241 A 19680 X
15	PCB clip / M3 Threaded insert	241 A 19690 X
25	PCB clip / M3 Threaded insert	241 A 19700 X
37	PCB clip / M3 Threaded insert	241 A 19710 X
50	PCB clip / M3 Threaded insert	241 A 24160 X
09	PCB clip / Through-hole	241 A 19600 X
15	PCB clip / Through-hole	241 A 19610 X
25	PCB clip / Through-hole	241 A 19620 X
37	PCB clip / Through-hole	241 A 19630 X
50	PCB clip / Through-hole	241 A 24080 X

PCB clip .122" / 3.1 ± .004" / 0.10 mm hole diameter and .063" / 1.6 mm circuit board thickness

C-FILTER D-SUB STANDARD

Solder pin – Angled – .370"/9.4 mm – Precision machined contacts – Plastic bracket

ORDER DATA

Capacitance 370 pF			
SOCKET CONNECTOR			PLUG CONNECTOR
No. of pos.	Mounting style	Part Number	
09	PCB clip / 4-40 UNC Threaded insert	242 A 12820 X	09 PCB clip / 4-40 UNC Threaded insert 241 A 12800 X
15	PCB clip / 4-40 UNC Threaded insert	242 A 12830 X	15 PCB clip / 4-40 UNC Threaded insert 241 A 12810 X
25	PCB clip / 4-40 UNC Threaded insert	242 A 12840 X	25 PCB clip / 4-40 UNC Threaded insert 241 A 12820 X
37	PCB clip / 4-40 UNC Threaded insert	242 A 12850 X	37 PCB clip / 4-40 UNC Threaded insert 241 A 12830 X
50	PCB clip / 4-40 UNC Threaded insert	242 A 24030 X	50 PCB clip / 4-40 UNC Threaded insert 241 A 24130 X
09	PCB clip / M3 Threaded insert	242 A 12940 X	09 PCB clip / M3 Threaded insert 241 A 12920 X
15	PCB clip / M3 Threaded insert	242 A 12950 X	15 PCB clip / M3 Threaded insert 241 A 12930 X
25	PCB clip / M3 Threaded insert	242 A 12960 X	25 PCB clip / M3 Threaded insert 241 A 12940 X
37	PCB clip / M3 Threaded insert	242 A 12970 X	37 PCB clip / M3 Threaded insert 241 A 12950 X
50	PCB clip / M3 Threaded insert	242 A 24070 X	50 PCB clip / M3 Threaded insert 241 A 24170 X
09	PCB clip / Through-hole	242 A 12700 X	09 PCB clip / Through-hole 241 A 12680 X
15	PCB clip / Through-hole	242 A 12710 X	15 PCB clip / Through-hole 241 A 12690 X
25	PCB clip / Through-hole	242 A 12720 X	25 PCB clip / Through-hole 241 A 12700 X
37	PCB clip / Through-hole	242 A 12730 X	37 PCB clip / Through-hole 241 A 12710 X
50	PCB clip / Through-hole	242 A 23990 X	50 PCB clip / Through-hole 241 A 24090 X

Capacitance 830 pF			
SOCKET CONNECTOR			PLUG CONNECTOR
No. of pos.	Mounting style	Part Number	
09	PCB clip / 4-40 UNC Threaded insert	242 A 12900 X	09 PCB clip / 4-40 UNC Threaded insert 241 A 12880 X
15	PCB clip / 4-40 UNC Threaded insert	242 A 12910 X	15 PCB clip / 4-40 UNC Threaded insert 241 A 12890 X
25	PCB clip / 4-40 UNC Threaded insert	242 A 12920 X	25 PCB clip / 4-40 UNC Threaded insert 241 A 12900 X
37	PCB clip / 4-40 UNC Threaded insert	242 A 12930 X	37 PCB clip / 4-40 UNC Threaded insert 241 A 12910 X
50	PCB clip / 4-40 UNC Threaded insert	242 A 24040 X	50 PCB clip / 4-40 UNC Threaded insert 241 A 24140 X
09	PCB clip / M3 Threaded insert	242 A 13020 X	09 PCB clip / M3 Threaded insert 241 A 13000 X
15	PCB clip / M3 Threaded insert	242 A 13030 X	15 PCB clip / M3 Threaded insert 241 A 13010 X
25	PCB clip / M3 Threaded insert	242 A 13040 X	25 PCB clip / M3 Threaded insert 241 A 13020 X
37	PCB clip / M3 Threaded insert	242 A 13050 X	37 PCB clip / M3 Threaded insert 241 A 13030 X
50	PCB clip / M3 Threaded insert	242 A 24080 X	50 PCB clip / M3 Threaded insert 241 A 24180 X
09	PCB clip / Through-hole	242 A 12780 X	09 PCB clip / Through-hole 241 A 12760 X
15	PCB clip / Through-hole	242 A 12790 X	15 PCB clip / Through-hole 241 A 12770 X
25	PCB clip / Through-hole	242 A 12800 X	25 PCB clip / Through-hole 241 A 12780 X
37	PCB clip / Through-hole	242 A 12810 X	37 PCB clip / Through-hole 241 A 12790 X
50	PCB clip / Through-hole	242 A 24000 X	50 PCB clip / Through-hole 242 A 24100 X

Capacitance 1300 pF			
SOCKET CONNECTOR			PLUG CONNECTOR
No. of pos.	Mounting style	Part Number	
09	PCB clip / 4-40 UNC Threaded insert	242 A 12860 X	09 PCB clip / 4-40 UNC Threaded insert 241 A 12840 X
15	PCB clip / 4-40 UNC Threaded insert	242 A 12870 X	15 PCB clip / 4-40 UNC Threaded insert 241 A 12850 X
25	PCB clip / 4-40 UNC Threaded insert	242 A 12880 X	25 PCB clip / 4-40 UNC Threaded insert 241 A 12860 X
37	PCB clip / 4-40 UNC Threaded insert	242 A 12890 X	37 PCB clip / 4-40 UNC Threaded insert 241 A 12870 X
50	PCB clip / 4-40 UNC Threaded insert	242 A 24050 X	50 PCB clip / 4-40 UNC Threaded insert 241 A 24150 X
09	PCB clip / M3 Threaded insert	242 A 12980 X	09 PCB clip / M3 Threaded insert 241 A 12960 X
15	PCB clip / M3 Threaded insert	242 A 12990 X	15 PCB clip / M3 Threaded insert 241 A 12970 X
25	PCB clip / M3 Threaded insert	242 A 13000 X	25 PCB clip / M3 Threaded insert 241 A 12980 X
37	PCB clip / M3 Threaded insert	242 A 13010 X	37 PCB clip / M3 Threaded insert 241 A 12990 X
50	PCB clip / M3 Threaded insert	242 A 24090 X	50 PCB clip / M3 Threaded insert 241 A 24190 X
09	PCB clip / Through-hole	242 A 12740 X	09 PCB clip / Through-hole 241 A 12720 X
15	PCB clip / Through-hole	242 A 12750 X	15 PCB clip / Through-hole 241 A 12730 X
25	PCB clip / Through-hole	242 A 12760 X	25 PCB clip / Through-hole 241 A 12740 X
37	PCB clip / Through-hole	242 A 12770 X	37 PCB clip / Through-hole 241 A 12750 X
50	PCB clip / Through-hole	242 A 24010 X	50 PCB clip / Through-hole 241 A 24110 X

PCB clip .122"/3.1 ± .004"/0.10 mm hole diameter and .063"/1.6 mm circuit board thickness