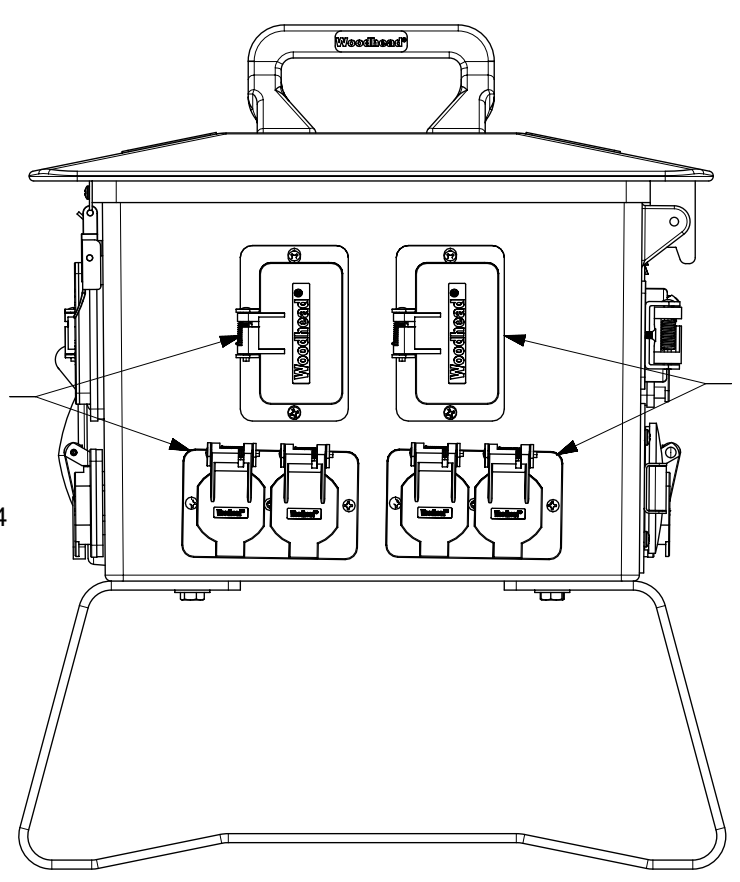
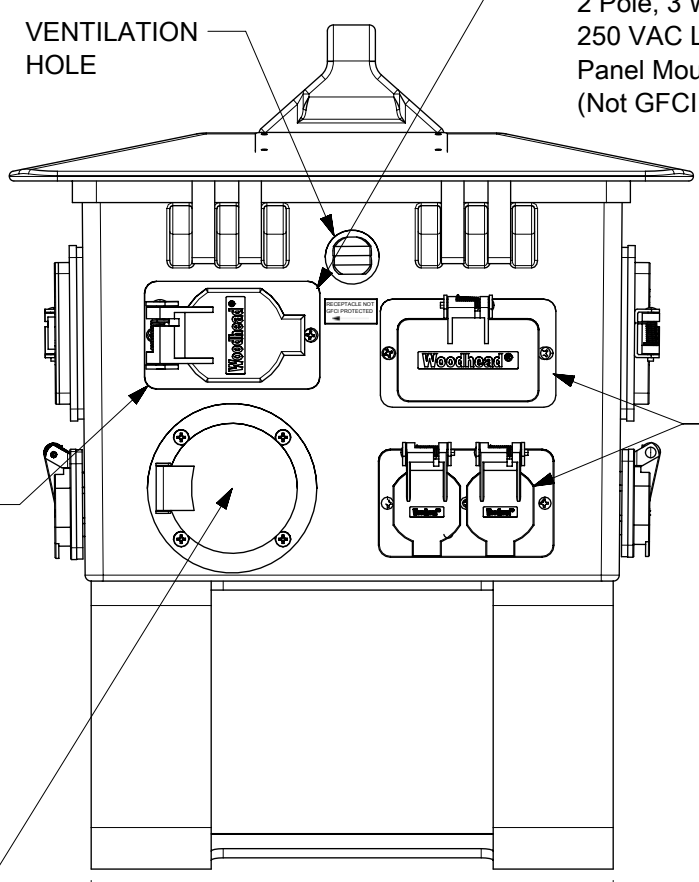


FEED THRU:
Qty(1) 50A,
California Style Locking Receptacle,
Single Phase (H,H,N,G),
125/250 VAC, Panel Mount

BACK VIEW
(FEE THRU)

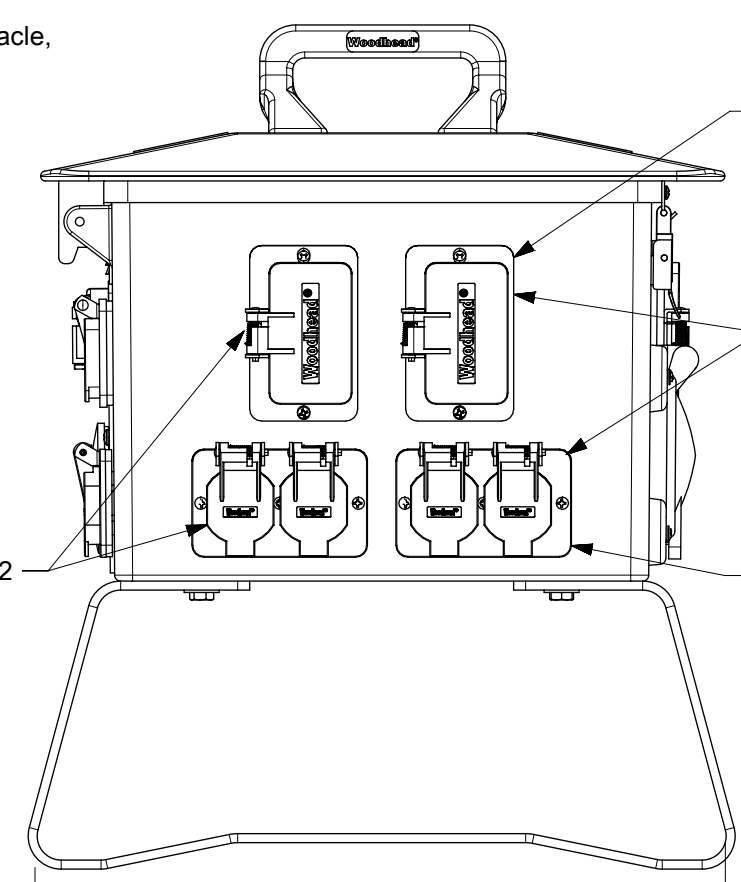


LEFT SIDE



INPUT:
Qty(1) 50A,
California Style Locking Inlet,
Single Phase (H,H,N,G),
125/250 VAC, Panel Mount

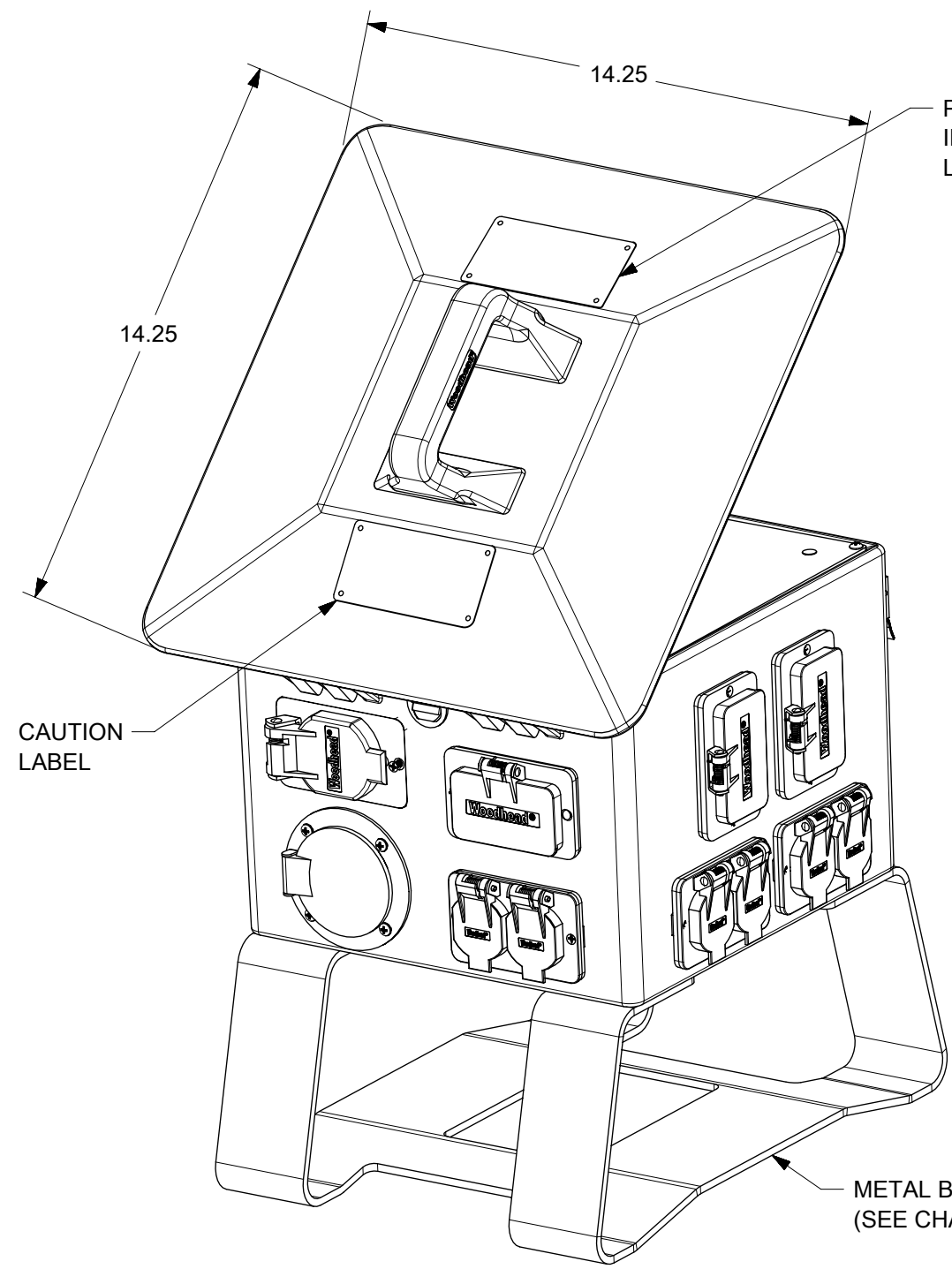
FRONT VIEW
(INPUT)



RIGHT SIDE

GFCI Open-Neutral
Protection Modules:
Qty(6)

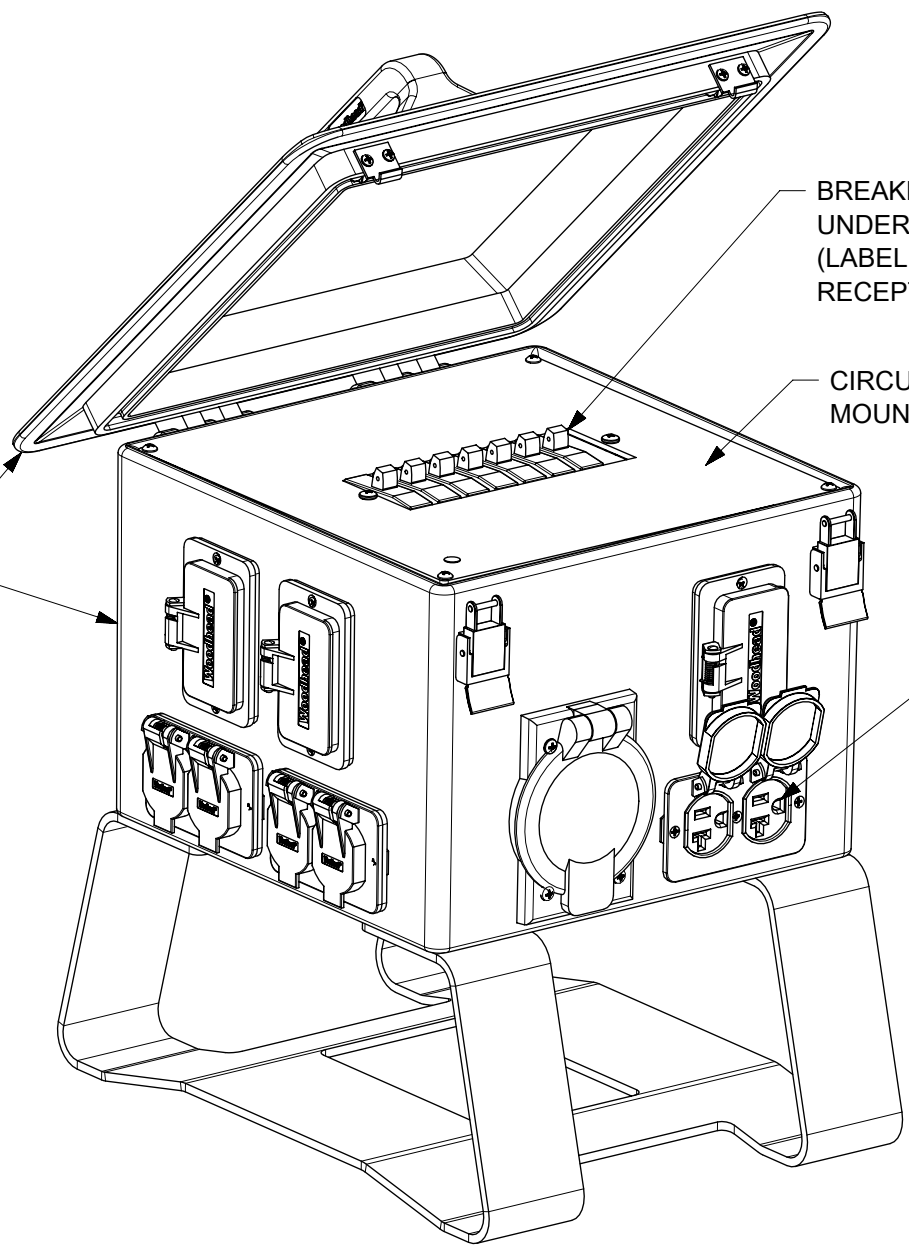
OUTPUT:
Qty(6) NEMA Straight Blade 5-20, 20A,
Single Phase (H,N,G), 2 Pole, 3 Wire,
125 VAC Duplex receptacles,
Panel Mount, GFCI Open-Neutral Protected
Weather-Resistant Type



CAUTION
LABEL

PRODUCT
IDENTIFICATION
LABEL

METAL BASE
(SEE CHART)



BREAKERS MOUNTED
UNDER HINGED COVER
(LABELED PER
RECEPTACLE #)

CIRCUIT BREAKER
MOUNTING PLATE

RUBBER
(SEE CHART)

RECEPTACLE FACE
COLOR-CODED
PER HOT WIRE
(SEE CHART)

RECEPTACLE #	FACE COLOR
1	BLACK
2	RED
3	BLACK
4	RED
5	BLACK
6	RED

NOTES:

- cULus Listed Portable Power Distribution Unit
- Rating: 50A, Single Phase (H,H,N,G), 3 Pole, 4 Wire 125/250 VAC
- Input: Qty(1) 50A, California Style Locking Inlet, Single Phase (H,H,N,G), 3 Pole, 4 Wire, 125/250 VAC, Panel Mount (Not GFCI Protected)
- Output:
 - Qty(6) NEMA Straight Blade, 20A, 5-20, Single Phase (H,N,G), 2 Pole, 3 Wire, 125 VAC Duplex receptacles, Panel Mount GFCI Open-Neutral Protected, Weather-Resistant Type
 - Qty(1) NEMA L6-30, 30A, Single Phase (H,H,G), 2 Pole, 3 Wire, 250 VAC Locking receptacle, Panel Mount (Not GFCI Protected)
- Main Breaker: None
- Feed Thru: Yes, Qty(1) 50A, California Style Locking Receptacle, Single Phase (H,H,N,G), 3 Pole, 4 Wire, 125/250 VAC, Panel Mount (Not GFCI Protected)
- Overcurrent Protection:
 - Qty(6) 20A, 1 Pole branch-rated circuit breakers
 - Qty(1) 30A, 2 Pole branch-rated circuit breaker
- Environmental Rating: NEMA Type 3R Rainproof (when all cover plates and hinged lid cover closed)
- Box Style: Rubber, Hinged
- Dimensions: 14.25" L x 14.25" W x 17.5" H
- Approximate Weight: 29 lbs
- See Sheet 2 for Wiring Schematic
- For User Manual: See document P/N# 1301380126_USR_MAN
- Woodhead Engineering No.: SEE CHART
- Temperature Rating:
 - Operating: -21° to +135°F (-29° to +57°C)
 - Storage: -40° to +160°F (-40° to +71°C)

PART NUMBER	Woodhead® ENGINEERING NUMBER	RUBBER & METAL BASE COLOR	MINIMUM ORDER QUANTITY (MOQ)
1301380126	DY5-6E1H	YELLOW	1
1301380177	DB5-6E1H	BLACK	1
1301380179	DY5-6E1H-BP	YELLOW	1 unit = 25 pcs of 1301380126
1301380181	DB5-6E1H-BP	BLACK	1 unit = 25 pcs of 1301380177

THIS DRAWING CONTAINS INFORMATION THAT IS PROPRIETARY TO MOLEX ELECTRONIC TECHNOLOGIES, LLC AND SHOULD NOT BE USED WITHOUT WRITTEN PERMISSION

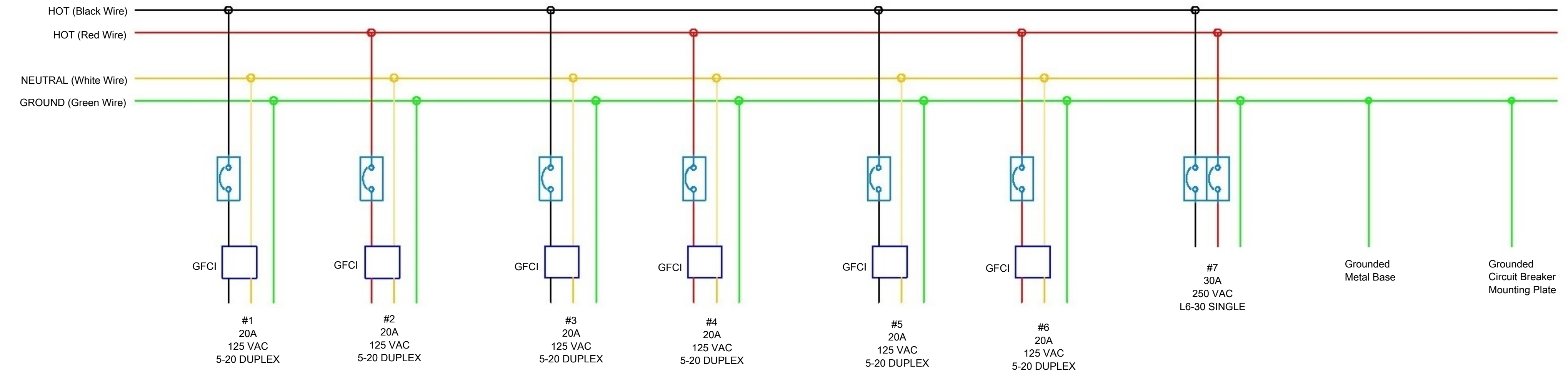
DIMENSION UNITS	SCALE	CURRENT REV	DESC: UPDATE QTY IN CHART
INCH	NTS		
GENERAL TOLERANCES (UNLESS SPECIFIED)			
ANGULAR TOL	±		
4 PLACES	±		
3 PLACES	±		
2 PLACES	±		
1 PLACE	±		
0 PLACES	±		
DRAFT WHERE APPLICABLE MUST REMAIN WITHIN DIMENSIONS		THIRD ANGLE PROJECTION	DRAWING SERIES
		C-SIZE	130138

molex			
PORTABLE PWR DIST BOX, 50A RATING IN:50A CALI LOCKING; OUT:(6)20A NEMA 5-20 & (1)30A NEMA L6-30			
PRODUCT CUSTOMER DRAWING			
DOCUMENT NUMBER		DOC TYPE	DOC PART
1301380126		PSD	000
		REV	E1
MATERIAL NUMBER	CUSTOMER	SHEET NUMBER	
SEE CHART		1 OF 2	

DOCUMENT STATUS	P1	RELEASE DATE	2018/04/26	13:37:59
-----------------	----	--------------	------------	----------

INPUT: California Style, 50A,
Single Phase (H,H,N,G),
125/250VAC, Panel Mount

FEED
THRU



DOCUMENT STATUS	P1	RELEASE DATE	2018/04/26	13:37:59
-----------------	----	--------------	------------	----------

THIS DRAWING CONTAINS INFORMATION THAT IS PROPRIETARY TO MOLEX ELECTRONIC TECHNOLOGIES, LLC AND SHOULD NOT BE USED WITHOUT WRITTEN PERMISSION										
DIMENSION UNITS		SCALE		CURRENT REV DESC: UPDATE QTY IN CHART						
INCH		NTS								
GENERAL TOLERANCES (UNLESS SPECIFIED)				EC NO: 175572		2018/04/25		PORTABLE PWR DIST BOX, 50A RATING IN:50A CALI LOCKING; OUT:(6)20A NEMA 5-20 & (1)30A NEMA L6-30		
ANGULAR TOL		± °		DRWN: WLEUNG		2018/04/25				
4 PLACES		±		CHK'D: DNGUYEN62		2018/04/25				
3 PLACES		±		APPR: BRUPERT		2018/04/26		PRODUCT CUSTOMER DRAWING		
2 PLACES		±		INITIAL REVISION:				DOCUMENT NUMBER		
1 PLACE		±		DRWN: WLEUNG		2016/07/14		1301380126		
0 PLACES		±		APPR: JFMURPHY		2017/02/18		DOC TYPE	DOC PART	REVISION
DRAFT WHERE APPLICABLE MUST REMAIN WITHIN DIMENSIONS		THIRD ANGLE PROJECTION		DRAWING	SERIES	MATERIAL NUMBER		CUSTOMER		SHEET NUMBER
				C-SIZE	130138	SEE CHART				2 OF 2