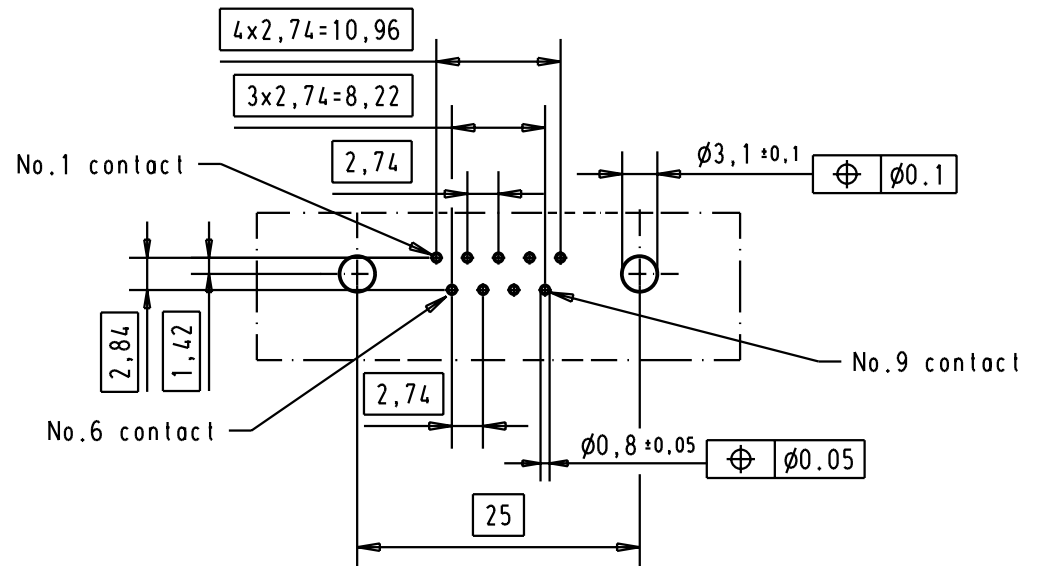
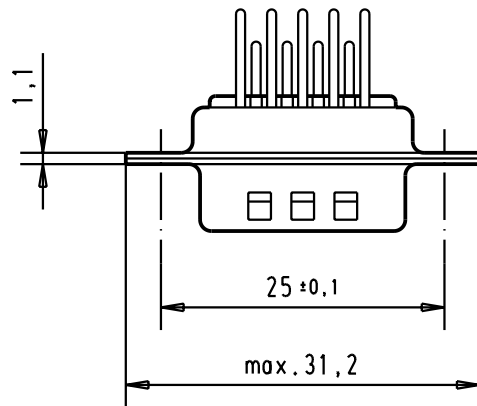


Printed board layout component side



					DoI.		Name		<p>All Dim. in mm Orig. Size DIN A 4</p>	D-Sub, Male, angled, 09 Poles with turned contacts, solder pins and without fixing brackets	Maßstab/ Scale 1.5:1
					Detail.		09-APR-02 CV				
					Insp.						
					Stand.						
09 67 009 5664		3.1 ± 0.1		2							
09 67 009 5663		3.1 ± 0.1		3							
Part number		ϕ hole		Performance level		Mod.		Date		Name	
				29767		09-APR-02		CV		HARTING EURL F-95972 Paris	
										TB 0967009566x Sub.	
										Blatt/ Page 1 /	