

## ELEMENT LED Down Light



Beyond LED's Down Light is an energy-efficient and economical product that is equipped with a smooth trim that fits 6" recessed can-style housings. It utilizes adjustable torsion springs, can be dimmed down to 10%, and maintains 70% light output after 35,000 hours of use. These luminaires are ideal for corporate environments, educational & health facilities, basements, and give an exceptional performance in general lighting applications for hotels, motels, residential and commercial properties. An E26 adapter is included. The Down Light provides for improved focus and concentration with reduced glare and uniform illumination. Moreover, these fixtures produce a high quality of light with superior longevity and energy savings. These ETL certified panels are ideal for brightening up indoor spaces.

### Product Features

- Operating temperature: -20°C to 50°C
- 1000 Lumens output
- Compatible with IC and non-IC rated air-tight recessed housings and is Energy Star qualified
- Illuminates down to 10% with most electronic dimmers
- Adjustable CCT 2700K, 3K, 4K and 5K
- Dimming capability
- Durable thermoplastic construction
- Plug and play motion sensor
- Integral LED driver, eliminates the need for an external driver or ballast
- Energy Star Certified
- Spotless soft light without shadow
- Input Voltage 120Vac 60Hz
- No UV or IR in the beam
- Environment friendly with no mercury
- Easy to install and operate, with instant and no humming
- Energy saving with long lifespan with 35,000-hour LEDs at L70 reduces life cycle maintenance costs
- 5 years manufacturer warranty

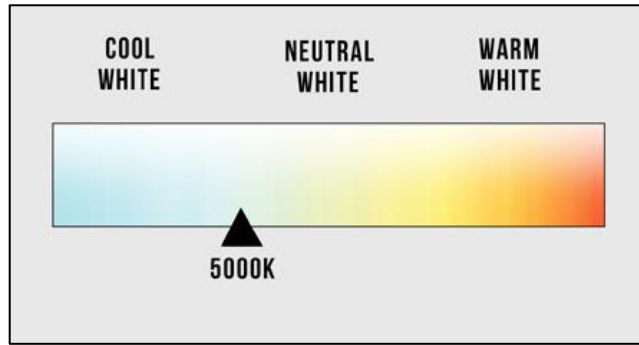
SKU #	Model #	Watts	Lumens	CCT	Dimmable	Certifications
153606	BLT-D836-CCT-90	15W	1000LM	2700K/3K/4K/5K	Yes	ETL & ES

## SKU Number 153606 Specifications

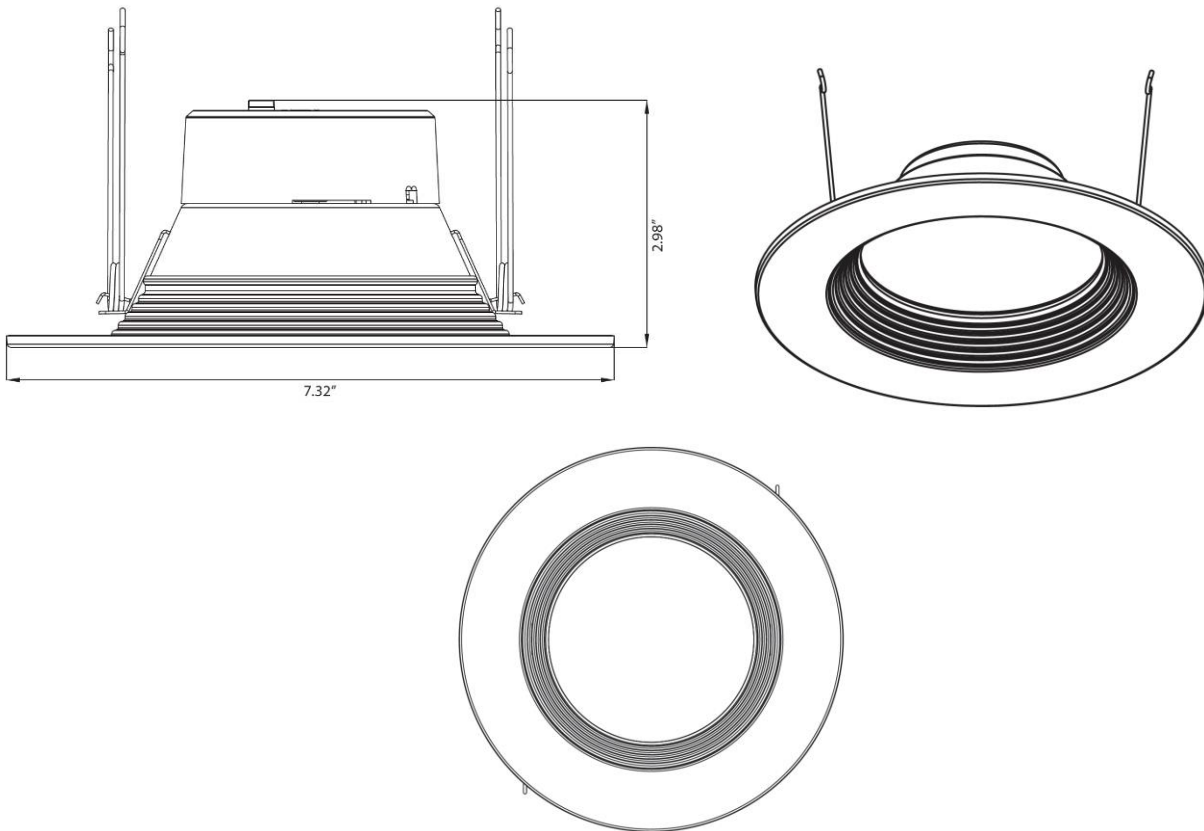
Parameter	Description	Value
<b>General Performance</b>	Model #	BLT-D836-CCT-90
	Description	LED 6" Down Light 15W CCT Adjustable
	Wattage	15W
	Lumen	Up to 1000LM
	Lumen Efficacy	Up to 67LM/W
	Color Temperature	2700K/3K/4K/5K
	CRI (Ra)	>90
	Beam Angle	120 Degree
<b>Electrical</b>	Input Voltage	120Vac
	Frequency	60Hz
	Input Current	0.125 A
	Dimmable	Yes
<b>Physical</b>	Operating Temperature	-20°C TO 50°C
	LED Type	2835
	Housing Color	White
<b>Qualification</b>	Warranty	5 years warranty with 24/7 operating hours Luminaire lifetime at 25°C



## Correlated Color Temperature (CCT)



## Dimensions



# Photometric Data for SKU Number 153606

## Electrical Data

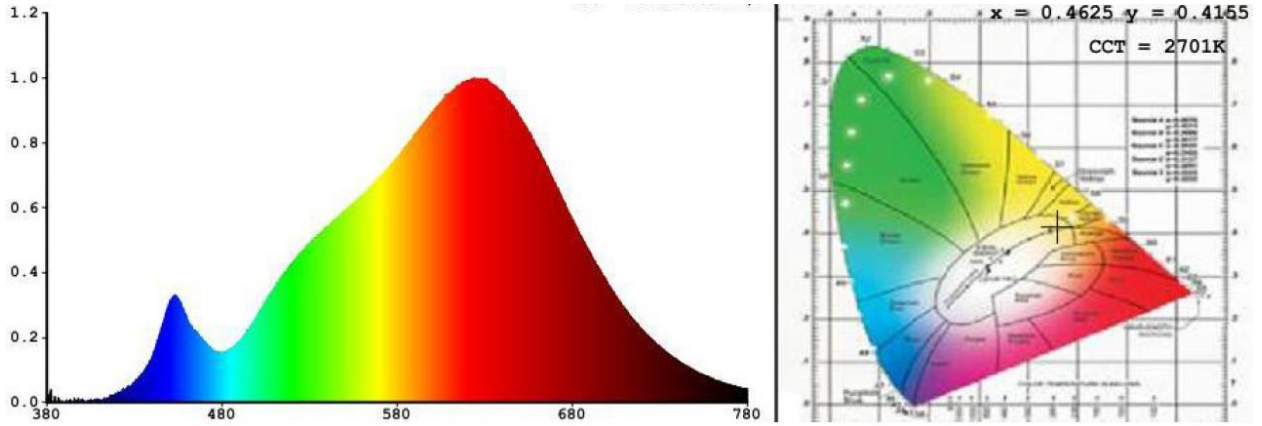
Criteria Item	Result(Sphere)	Result(Goniophotometer)
Input Voltage & Frequency	120.00 V~60Hz	120.00 V~60Hz
Input Current(A)	0.127	0.127
Total Power(W)	14.83	14.83
Power Factor	0.971	0.970
Off-state Power(W)	-	-

## Photometric Data

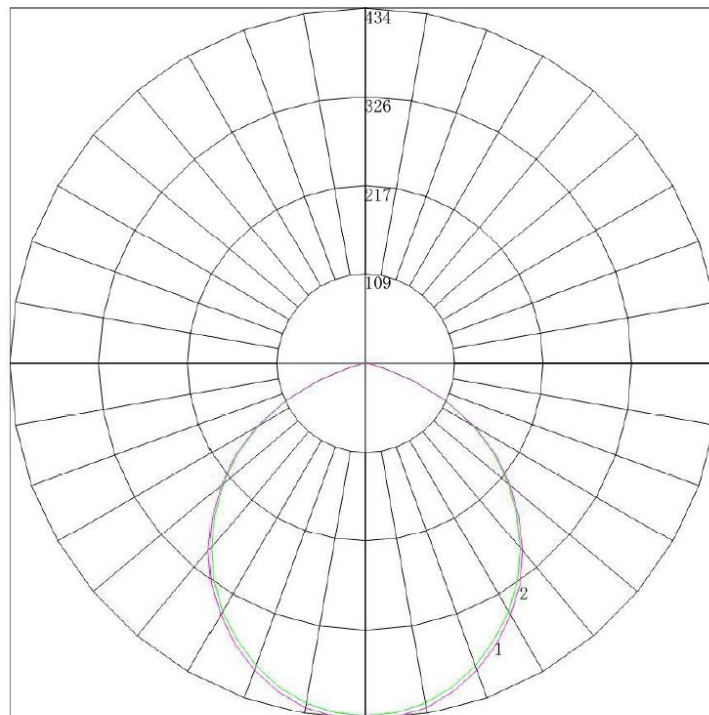


Criteria Item	Result(Sphere)	Result(Goniophotometer)
Total Lumens(lm)	-	1042.47
Luminaire Efficacy(lm/W)	-	70.29
Correlated Color Temperature (CCT)(K)	2701	-
Color Rendering Index (CRI)	90.9	-
R9	56	-
Chromaticity Coordinate (x,y)	x = 0.4625 y = 0.4155	-
Chromaticity Coordinate (u,v)	u = 0.2620 v = 0.3531	-
Chromaticity Coordinate (u',v')	u' = 0.2620 v' = 0.5296	-
Duv	0.0016	-
Zone Lumens between 0-60 °	-	86.57 %
Beam Angle(50%Imax)	-	C0/180= 103.8° C90/270= 103.5°

## Spectral Distribution



## Luminous Intensity Distribution Curve



Maximum Candela = 434.05 Located At Horizontal Angle = 90, Vertical Angle = 5  
 # 1 - Vertical Plane Through Horizontal Angles (0 - 180)  
 # 2 - Vertical Plane Through Horizontal Angles (90 - 270)

## Installation Instructions

### General

All electrical connections must be in accordance with local and national electrical code (N.E.C.) Standards. If you are unfamiliar with proper electrical wiring connections obtain the services of a qualified electrician. Remove the trim from the box and make sure that no parts are missing by referencing the parts illustrations.

### Warning – Risk of Fire or Electric Shock

- Do not make or alter any open holes in an enclosure of wiring or electrical components during kit installation.
- To prevent wiring damage or abrasion, do not expose wiring to edges of sheet metal or other sharp objects.
- Suitable for wet locations.
- Suitable for type ic or suitable for type non-ic.
- Use only in open luminaires.
- This device is not intended for use with emergency exits.

**"Warning – risk of fire or electric shock. Led retrofit kit installation requires knowledge of luminaires electrical systems. If not qualified, do not attempt installation. Contact a qualified electrician."** or equivalent.

**"Warning – risk of fire or electric shock. Do not alter, relocate, or remove wiring, lamp holders, power supply, or any other electrical component."** or equivalent.

**"Warning – risk of fire or electric shock. Install this kit only in the luminaires that have the construction features and dimensions shown in the photographs and/or drawings."** or equivalent.

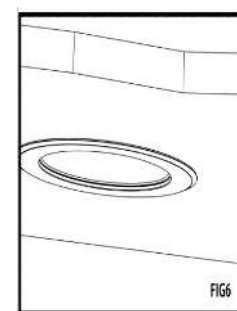
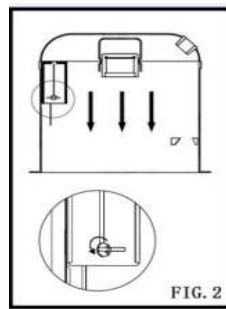
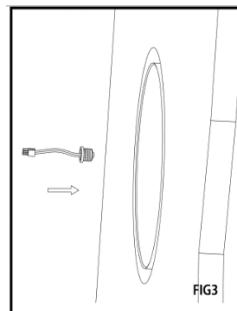
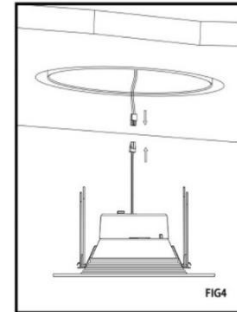
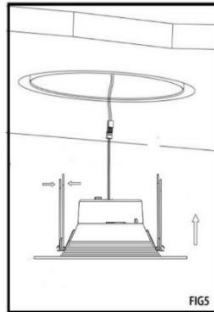
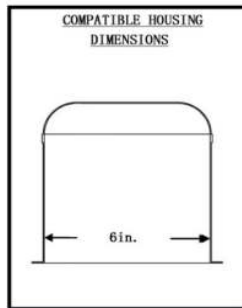


### Incandescent Housings

- Unscrew the WING NUT inside the CAN to detach the SOCKET BRACKET from the CAN. Disengage the SOCKET from the SOCKET BRACKET. (FIG. 2)
- Thread the SOCKET ADAPTER into the SOCKET. (FIG. 3)
- Plug the FEMALE CONNECTOR of the RETROFIT TRIM onto the MALE CONNECTOR of the SOCKET ADAPTER ASSEMBLY. (FIG. 4)
- If using TORSION SPRINGS, squeeze both TORSION SPRING arms together and insert into the TORSION SPRING SLOTS (or RECEIVER BRACKETS) of the CAN. (FIG. 5)
- Tuck all wires into the CAN and carefully push the RETROFIT TRIM into CAN. (NOTE: To provide enough room in shallow cans, carefully position SOCKET ADAPTER and SOCKET adjacent to the long side of the LED DRIVER prior to inserting the RETROFIT TRIM into the CAN.) (FIG. 5)
- Plug the FEMALE CONNECTOR of the RETROFIT TRIM onto the MALE CONNECTOR of the HALO HOUSING. (FIG. 4)
- If using TORSION SPRINGS, squeeze both TORSION SPRING arms together and insert into the TORSION SPRING SLOTS (or RECEIVER BRACKETS) of the CAN. (FIG. 5)
- Tuck all wires into the CAN and carefully push the RETROFIT TRIM into CAN. (NOTE: To provide enough room in shallow cans, carefully position SOCKET ADAPTER and SOCKET adjacent to the long side of the LED DRIVER prior to inserting the RETROFIT TRIM into the CAN.) (FIG. 5)

## LED Housings

### Assembly and Installation



## Dimming

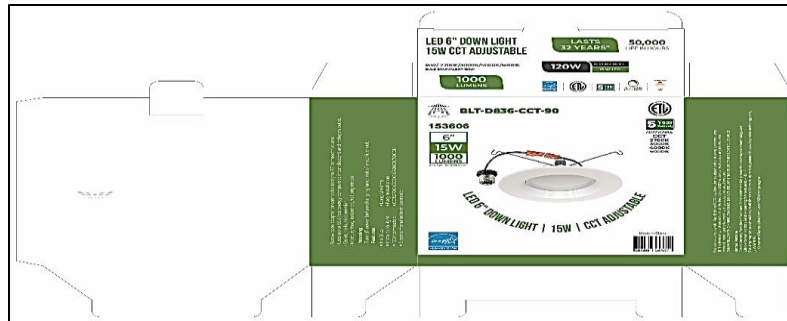
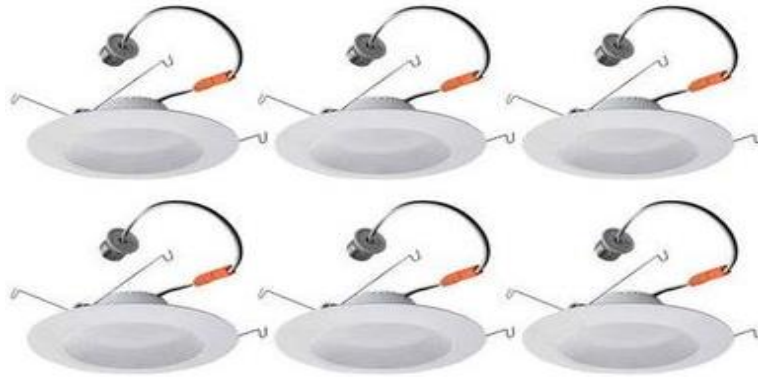
Dimming performance may depend on the dimmer, the dimmer range adjustment setting (for dimmers with brightness range adjustments), the wiring method, and/or the number of LED modules installed onto the dimmer circuit.

- For dimmer selection, dimming control manufacturers revise their product often; for the latest list of compatible dimmers please visit our website.
- For best results, it is recommended to install a minimum of four LED modules onto one dimmer.
- Before turning on the LED lights, set dimmer position at maximum before adjusting to a lower light level.
- Please follow the dimming control manufacturer's instructions for the installation of all dimming controls.

## Packaging Info for SKU # 153606

*Package of 6*

### Inner Box



### Dimensions

Bracket Type	Carton Size	Qty/Box	G.W./Box
Inner Box	7.80 X 3.15 X 7.80 in	1 PC	0.96 lbs
Outer Box	15.94 X 9.84 X 8.19 in	6 PCs	5.73 lbs

**\*\*Tolerance of Carton Size: ±15 MM, Tolerance of Weight: ±10%.**



## Application



## Safety Precautions

To reduce the risk of death, personal injury or property damage from fire, electric shock, falling parts, cuts/abrasions, and other hazards read all warnings and instructions included with and on the fixture box and all fixture labels. Before installing, servicing, or performing routine maintenance upon this equipment, follow these general precautions. Commercial installation, service and maintenance of luminaires should be performed by a qualified licensed electrician.

For the installation: If you are unsure about the installation or maintenance of the luminaires, consult a qualified licensed electrician and check your local electrical code. To prevent wiring damage or abrasion, do not expose wiring to edges of sheet metal or other sharp objects. Do not make or alter any open holes in an enclosure of wiring or electrical components during kit installation.

### **WARNING: RISK OF FIRE OR ELECTRICAL SHOCK**

Turn off electrical power at fuse or circuit breaker box before wiring fixture to the power supply. Turn off the power when you perform any maintenance. Verify that supply voltage is correct by comparing it with the luminaire label information. Make all electrical and grounded connections in accordance with the National Electrical Code and any applicable local code requirements. All wiring connections should be capped with UL approved wire connectors.

### **CAUTION: RISK OF INJURY**

Avoid direct eye exposure to the light source while it is on.  
Account for small parts and destroy packing material, as these may be hazardous to children.

## Warranty

### 5 Years Warranty

This product is warranty to be free from defects in workmanship and materials for up to 5 Years from date of purchase. If it fails to do so, please contact Beyond LED technology at [sales@beyondledtechnology.com](mailto:sales@beyondledtechnology.com) or call 1(866) 786-1117 for instructions on replacement.