

# SURE-SEAL® IP67 M5 SERIES CATALOG





# Table of Contents

<b>Technical Information</b> .....	4	<b>M5 Cable Assembly</b>	
<b>How to Order</b>		<b>M5 to M5 Cable Assemblies</b>	
M5 Series With Molded Cable.....	5	M5 Straight Female to M5 Straight Male Cable Assembly .....	19
M5 Series Panel Mount .....	6	M5 Straight Female to M5 Right Angle Male Cable Assembly .....	20
M5 Series Cable Assemblies.....	6	M5 Right Angle Female to M5 Straight Male Cable Assembly .....	21
		M5 Right Angle Female to M5 Right Angle Male Cable Assembly .....	22
<b>M5 Molded Cable</b>		<b>Part Numbers</b> .....	23
M5 Male Molded Cable, Straight .....	7		
M5 Female Molded Cable, Straight.....	8		
M5 Male Molded Cable, Straight, Shielded .....	9		
M5 Female Molded Cable, Straight, Shielded .....	10		
M5 Male Molded Cable, Angled.....	11		
M5 Female Molded Cable, Angled.....	12		
<b>M5 Panel Mount</b>			
M5 Male Panel Mount, PCB Type, Front fastened .....	13		
M5 Female Panel Mount, PCB Type, Front fastened .....	14		
M5 Male Panel Mount, Solder Type, Front Fastened .....	15		
M5 Female Panel Mount, Solder Type, Front Fastened .....	16		
M5 Male Panel Mount, Flying Leads, Front Fastened.....	17		
M5 Female Panel Mount, Flying Leads, Front Fastened.....	18		

# Technical Information

## Wire Gauge Conversion Chart

Conversion between American Wire Gauge (AWG), Circular Mil Area (CMA), and approximate metric millimeter squared (mm<sup>2</sup>) wire sizes.

Diameter			Area	
AWG	in.	mm	CMA	mm <sup>2*</sup>
4/0 (0000)	0.46	11.68	212000	120
3/0 (000)	0.41	10.41	168000	95
2/0 (00)	0.365	9.27	133000	70
1/0 (0)	0.325	8.26	106000	50
1	0.289	7.34	83700	-
2	0.258	6.55	66400	35
3	0.229	5.82	52600	-
4	0.204	5.18	41700	25
5	0.182	4.62	33100	-
6	0.162	4.11	26300	16
7	0.144	3.66	20800	-
8	0.128	3.25	16500	10
9	0.114	2.90	13100	-
10	0.102	2.59	10400	6
11	0.091	2.31	8230	-
12	0.081	2.06	6530	4
13	0.072	1.83	5180	-

Diameter			Area	
AWG	in.	mm	CMA	mm <sup>2*</sup>
14	0.062	1.57	4110	2.5
15	0.057	1.45	3260	-
16	0.051	1.30	2580	1.5
17	0.045	1.14	2050	1
18	0.040	1.02	1620	0.75
19	0.036	0.91	1290	-
20	0.032	0.81	1020	0.5
21	0.0285	0.72	810	-
22	0.0253	0.643	642	0.34
23	0.0226	0.574	509	-
24	0.0201	0.511	404	0.25
25	0.0179	0.45	320	-
26	0.0159	0.404	254	0.14
27	0.0142	0.361	202	-
28	0.0126	0.320	160	0.08
29	0.0113	0.29	127	-
30	0.01	0.254	101	0.05

\*Nearest metric wire size  
Use to Convert American Wire Gauge to Diameter and Circular Mil Area.

# How to Order

## M5 Series With Molded Cable

1	2		3	4		5	6
<b>IPM-M5</b>	<b>A3</b>	-	<b>M</b>	<b>WL</b>	-	<b>1.5</b>	<b>U</b>
SERIES	CODING & # CONTACTS		GENDER	ANGLE		ASSEMBLY LENGTH	CABLE SHEATH & SHIELDING

**SERIES**

IPM-M5 = M5

**CODING & # CONTACTS**

A3 = 3 Contacts, A Coding

A4 = 4 Contacts, A Coding

**GENDER**

F = Female

M = Male

**ANGLE**

WL = Straight

RA-WL = Right Angle (non-shielded)

**ASSEMBLY LENGTH**

1.5 = 1.5 meters

2.0 = 2 meters

3.0 = 3 meters

5.0 = 5 meters

10 = 10 meters

**CABLE SHEATH & SHIELDING**

(blank) = PVC, Unshielded

S = PVC, Shielded

U = PUR, Unshielded

US = PUR, Shielded

# How to Order

## M5 Series Panel Mount

1	2	3		4
<b>IPM-M5</b>	<b>A3</b>	<b>M</b>	<b>-</b>	<b>PC</b>
SERIES	CODING & # CONTACTS	GENDER		TYPE

**SERIES**

IPM-M5 = M5

**CODING & # CONTACTS**

A3 = 3 Contacts, A Coding

A4 = 4 Contacts, A Coding

**GENDER**

F = Female

M = Male

**TYPE**

FL = Flying Leads (500mm)

PC = Straight PC Tails

SC = Solder Cup

## M5 Series Cable Assemblies

1	2		3		4	5
<b>IPM-M5</b>	<b>A3</b>	<b>-</b>	<b>FM</b>	<b>-</b>	<b>0.5</b>	<b>U</b>
SERIES	CODING & # CONTACTS		GENDERS AND ANGLES		ASSEMBLY LENGTH	CABLE SHEATH

**SERIES**

IPM-M5 = M5

**CODING & # CONTACTS**

A3 = 3 Contacts, A Coding

A4 = 4 Contacts, A Coding

**CONNECTOR GENDERS AND ANGLES**

FM = Straight Female to Straight Male

FMRA = Straight Female to Male Right Angle

FRAM = Female Right Angle to Straight Male

FRAMRA = Female Right Angle to Male Right Angle

**ASSEMBLY LENGTH**

0.5 = 0.5 meters

1.5 = 1.5 meters

3.0 = 3 meters

**CABLE SHEATH**

(blank) = PVC, Unshielded

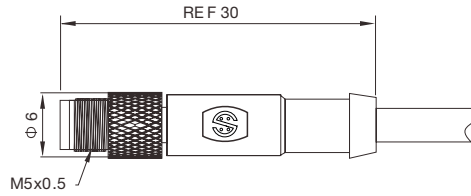
U = PUR, Unshielded

S = PVC, Shielded

US = PUR, Shielded

# M5 Male Molded Cable, Straight

Connector series: M5  
Gender: Male  
Coding: A  
Locking type: Fix screw  
Mounting type: Straight  
Part No.: IPM-M5\*\* -MWL-XXX





\*\* refers to coding and number of contacts  
X refers to cable length and material

## General Information

Standard:	IEC 61076-2-105	Insulation resistance:	≥ 100MΩ
Ambient temperature:	-10°C ~ 80°C (fixed) -5°C ~ 80°C (flexible)	Contact resistance:	≤ 5mΩ
Connector insert:	TPU	Shielding:	Unavailable
Connector contacts:	Brass with gold plated	IP rating:	IP67 in locked condition
Connector overmold:	TPU		
Connector nut/screw:	Brass with nickel plated		

## Electrical Data & Mechanical Data

Contacts	Rated Current	Voltage		Wire gauge / size		Cable jacket	Wire insulation	Cable ending & length
		A/C	D/C	AWG	mm <sup>2</sup>			
03 pins 	1A	60V	60V	26AWG	0.14	PUR / PVC	PVC	Customized cable ending and length
04 pins 	1A	60V	60V	26AWG	0.14	PUR / PVC	PVC	

## Notes

- Please refer to Page 4 for the Conversion between American Wire Gauge AWG and Wire Cross-section mm<sup>2</sup>
- Please refer to Page 5 for part number breakdown.

# M5 Female Molded Cable, Straight

Connector series: M5

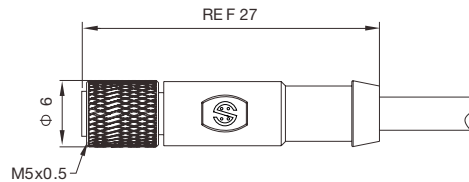
Gender: Female

Coding: A

Locking type: Fix screw

Mounting type: Straight

Part No.: IPM-M5\*\*-FWL-XXX



\*\* refers to coding and number of contacts

X refers to cable length and material

## General Information

Standard:	IEC 61076-2-105	Insulation resistance:	$\geq 100M\Omega$
Ambient temperature:	-10°C ~ 80°C (fixed) -5°C ~ 80°C (flexible)	Contact resistance:	$\leq 5m\Omega$
Connector insert:	TPU; PA	Shielding:	Unavailable
Connector contacts:	Brass with gold plated	IP rating:	IP67 in locked condition
Connector overmold:	TPU		
Connector nut/screw:	Brass with nickel plated		
Seal / O-ring:	FKM		

## Electrical Data & Mechanical Data

Contacts	Rated Current	Voltage		Wire gauge / size		Cable jacket	Wire insulation	Cable ending & length
		A/C	D/C	AWG	mm <sup>2</sup>			
03 pins	1A	60V	60V	26AWG	0.14	PUR / PVC	PVC	Customized cable ending and length
04 pins	1A	60V	60V	26AWG	0.14	PUR / PVC	PVC	

## Notes

- Please refer to Page 4 for the Conversion between American Wire Gauge AWG and Wire Cross-section mm<sup>2</sup>
- Please refer to Page 5 for part number breakdown.



# M5 Male Molded Cable, Straight, Shielded

Connector series: M5

Gender: Male

Coding: A

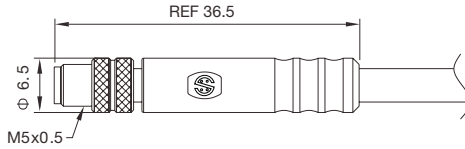
Locking type: Fix screw

Mounting type: Straight

Part No.: IPM-M5\*\*-MWL-XXUS

\*\* refers to coding and number of contacts

X refers to cable length



## General Information

Standard:	IEC 61076-2-105	Insulation resistance:	≥ 100MΩ
Ambient temperature:	-10°C ~ 80°C (fixed) -5°C ~ 80°C (flexible)	Contact resistance:	≤ 5mΩ
Connector insert:	TPU	Shielding:	Available
Connector contacts:	Brass with gold plated	IP rating:	IP67 in locked condition
Connector overmold:	TPU		
Connector nut/screw:	Brass with nickel plated		

## Electrical Data & Mechanical Data

Contacts	Rated Current	Voltage		Wire gauge / size		Cable jacket	Wire insulation	Cable ending & length
		A/C	D/C	AWG	mm <sup>2</sup>			
03 pins	1A	60V	60V	26AWG	0.14	PUR	PVC	Customized cable ending and length
04 pins	1A	60V	60V	26AWG	0.14	PUR	PVC	

## Notes

- Please refer to Page 4 for the Conversion between American Wire Gauge AWG and Wire Cross-section mm<sup>2</sup>
- Please refer to Page 5 for part number breakdown.

# M5 Female Molded Cable, Straight, Shielded

Connector series: M5

Gender: Female

Coding: A

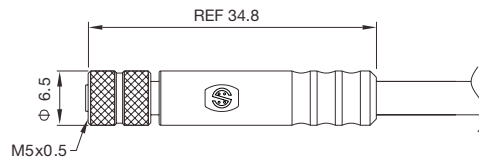
Locking type: Fix screw

Mounting type: Straight

Part No.: IPM-M5\*\* -FWL-XXUS

\*\* refers to coding and number of contacts

X refers to cable length



## General Information

Standard:	IEC 61076-2-105	Insulation resistance:	≥ 100MΩ
Ambient temperature:	-10°C ~ 80°C (fixed) -5°C ~ 80°C (flexible)	Contact resistance:	≤ 5mΩ
Connector insert:	TPU; PA	Shielding:	Available
Connector contacts:	Brass with gold plated	IP rating:	IP67 in locked condition
Connector overmold:	TPU		
Connector nut/screw:	Brass with nickel plated		
Seal / O-ring:	FKM		

## Electrical Data & Mechanical Data

Contacts	Rated Current	Voltage		Wire gauge / size		Cable jacket	Wire insulation	Cable ending & length
		A/C	D/C	AWG	mm <sup>2</sup>			
03 pins	1A	60V	60V	26AWG	0.14	PUR	PVC	Customized cable ending and length
04 pins	1A	60V	60V	26AWG	0.14	PUR	PVC	

## Notes

- Please refer to Page 4 for the Conversion between American Wire Gauge AWG and Wire Cross-section mm<sup>2</sup>
- Please refer to Page 5 for part number breakdown.

# M5 Male Molded Cable, Angled

Connector series: M5

Gender: Male

Coding: A

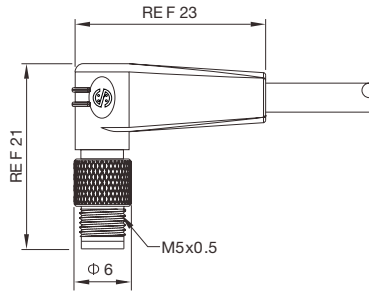
Locking type: Fix screw

Mounting type: Right angled

Part No.: IPM-M5\*\*-MRA-WL-XXX

\*\* refers to coding and number of contacts

X refers to cable length and material



## General Information

Standard:	IEC 61076-2-105	Insulation resistance:	≥ 100MΩ
Ambient temperature:	-10°C ~ 80°C (fixed) -5°C ~ 80°C (flexible)	Contact resistance:	≤ 5mΩ
Connector insert:	TPU	Shielding:	Unavailable
Connector contacts:	Brass with gold plated	IP rating:	IP67 in locked condition
Connector overmold:	TPU		
Connector nut/screw:	Brass with nickel plated		

## Electrical Data & Mechanical Data

Contacts	Rated Current	Voltage		Wire gauge / size		Cable jacket	Wire insulation	Cable ending & length
		A/C	D/C	AWG	mm <sup>2</sup>			
03 pins	1A	60V	60V	26AWG	0.14	PUR / PVC	PVC	Customized cable ending and length
04 pins	1A	60V	60V	26AWG	0.14	PUR / PVC	PVC	

## Notes

- Please refer to Page 4 for the Conversion between American Wire Gauge AWG and Wire Cross-section mm<sup>2</sup>
- Please refer to Page 5 for part number breakdown.

# M5 Female Molded Cable, Angled

Connector series: M5

Gender: Female

Coding: A

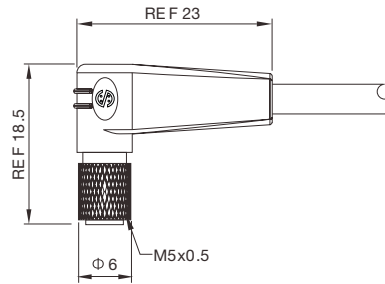
Locking type: Fix screw

Mounting type: Right angled

Part No.: IPM-M5\*\*-FRA-WL-XXX

\*\* refers to coding and number of contacts

X refers to cable length and material



## General Information

Standard:	IEC 61076-2-105	Insulation resistance:	≥ 100MΩ
Ambient temperature:	-10°C ~ 80°C (fixed) -5°C ~ 80°C (flexible)	Contact resistance:	≤ 5mΩ
Connector insert:	TPU; PA	Shielding:	Unavailable
Connector contacts:	Brass with gold plated	IP rating:	IP67 in locked condition
Connector overmold:	TPU		
Connector nut/screw:	Brass with nickel plated		
Seal / O-ring:	FKM		

## Electrical Data & Mechanical Data

Contacts	Rated Current	Voltage		Wire gauge / size		Cable jacket	Wire insulation	Cable ending & length
		A/C	D/C	AWG	mm <sup>2</sup>			
03 pins	1A	60V	60V	26AWG	0.14	PUR / PVC	PVC	Customized cable ending and length
04 pins	1A	60V	60V	26AWG	0.14	PUR / PVC	PVC	

## Notes

- Please refer to Page 4 for the Conversion between American Wire Gauge AWG and Wire Cross-section mm<sup>2</sup>
- Please refer to Page 5 for part number breakdown.

# M5 Male Panel Mount, PCB Type, Front Fastened

Connector series: M5

Gender: Male

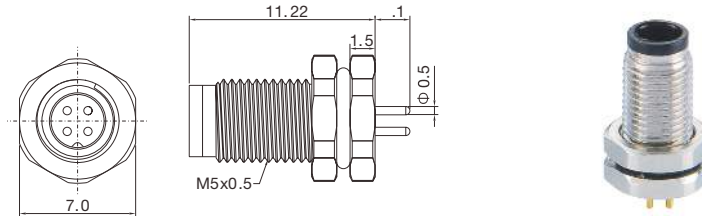
Coding: A

Locking type: Fix screw

Mounting type: Front fastening

Part No.: IPM-M5\*\*M-PC



\*\* refers to coding and number of contacts



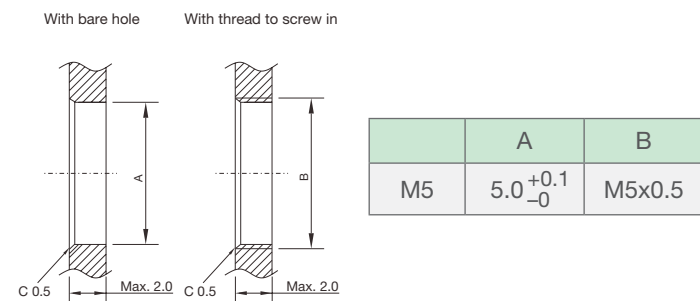
## General Information

Standard:	IEC 61076-2-105	Insulation resistance:	≥ 100MΩ
Ambient temperature:	-25°C ~ +90°C	Contact resistance:	≤ 5mΩ
Connector insert:	TPU	Shielding:	Unavailable
Connector contacts:	Brass with gold plated	IP rating:	IP67 in locked condition
Connector nut/screw:	Brass with nickel plated		
Seal/O-ring:	Epoxy resin/FKM		

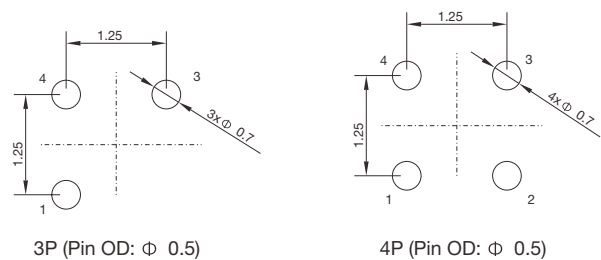
## Electrical Data & Mechanical Data

Contacts	Contacts termination	Rated Current	Voltage	
			A/C	D/C
03 pins	 PCB version	1A	60V	60V
04 pins	 PCB version	1A	60V	60V

## Panel Cut-out Dimensions



## PCB Layout



## Notes

- Please refer to Page 6 for part number breakdown.

# M5 Female Panel Mount, PCB Type, Front Fastened

Connector series: M5

Gender: Female

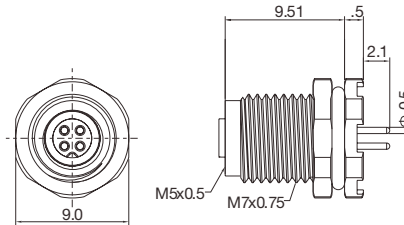
Coding: A

Locking type: Fix screw

Mounting type: Front fastening

Part No.: IPM-M5\*\*F-PC

\*\* refers to coding and number of contacts



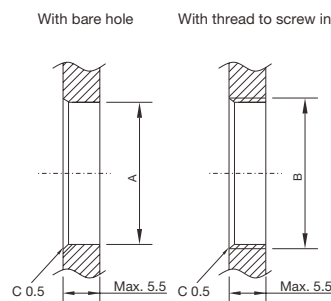
## General Information

Standard:	IEC 61076-2-105	Insulation resistance:	≥ 100MΩ
Ambient temperature:	-25°C ~ +90°C	Contact resistance:	≤ 5mΩ
Connector insert:	PA + GF	Shielding:	Unavailable
Connector contacts:	Brass with gold plated	IP rating:	IP67 in locked condition
Connector nut/screw:	Brass with nickel plated		
Seal/O-ring:	Epoxy resin/FKM		

## Electrical Data & Mechanical Data

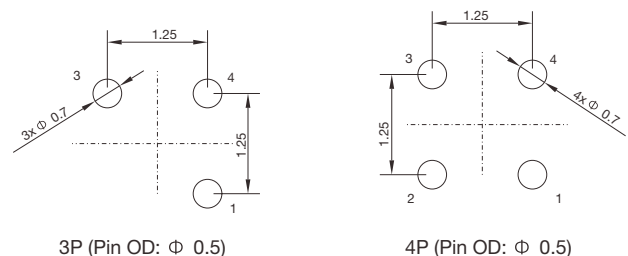
Contacts		Contacts termination	Rated Current	Voltage	
				A/C	D/C
03 pins		PCB version	1A	60V	60V
04 pins		PCB version	1A	60V	60V

## Panel Cut-out Dimensions



	A	B
M7	7.0 <sup>+0.1</sup> <sub>-0</sub>	M7x0.75

## PCB Layout

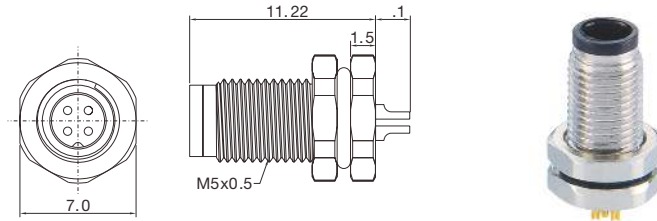


## Notes

- Please refer to Page 6 for part number breakdown.

# M5 Male Panel Mount, Solder, Front Fastened

Connector series: M5  
Gender: Male  
Coding: A  
Locking type: Fix screw  
Mounting type: Front fastened  
Part No.: IPM-M5\*\*M-SC



\*\* refers to coding and number of contacts

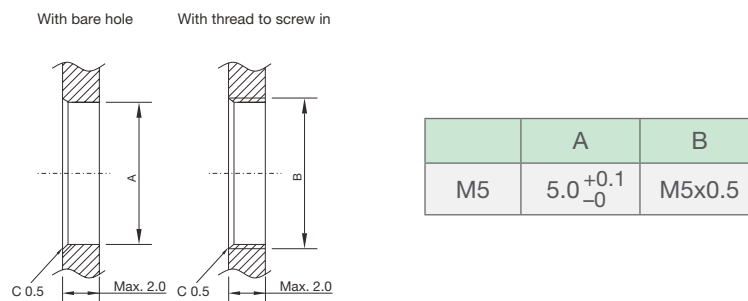
## General Information

Standard:	IEC 61076-2-105	Insulation resistance:	≥ 100MΩ
Ambient temperature:	-25°C ~ +90°C	Contact resistance:	≤ 5mΩ
Connector insert:	TPU	Shielding:	Unavailable
Connector contacts:	Brass with gold plated	IP rating:	IP67 in locked condition
Connector nut/screw:	Brass with nickel plated		
Seal/O-ring:	Epoxy resin/FKM		

## Electrical Data & Mechanical Data

Contacts		Contacts termination	Rated Current	Voltage		Wire gauge/size	
				A/C	D/C	AWG	mm <sup>2</sup>
03 pins		Solder version	1A	60V	60V	26AWG	0.14
04 pins		Solder version	1A	60V	60V	26AWG	0.14

## Panel Cut-out Dimensions



## Notes

- Please refer to Page 6 for part number breakdown.

# M5 Female Panel Mount, Solder, Front Fastened

Connector series: M5

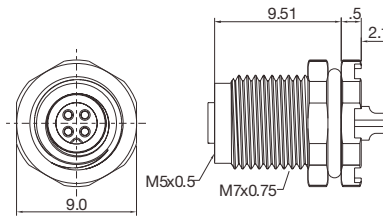
Gender: Female

Coding: A

Locking type: Fix screw

Mounting type: Front fastened

Part No.: IPM-M5\*\*F-SC



\*\* refers to coding and number of contacts

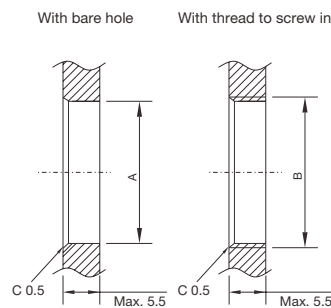
## General Information

Standard:	IEC 61076-2-105	Insulation resistance:	≥ 100MΩ
Ambient temperature:	-25°C ~ +90°C	Contact resistance:	≤ 5mΩ
Connector insert:	PA + GF	Shielding:	Unavailable
Connector contacts:	Brass with gold plated	IP rating:	IP67 in locked condition
Connector nut/screw:	Brass with nickel plated		
Seal/O-ring:	Epoxy resin/FKM		

## Electrical Data & Mechanical Data

Contacts	Contacts termination	Rated Current	Voltage		Wire gauge/size	
			A/C	D/C	AWG	mm <sup>2</sup>
03 pins	Solder version	1A	60V	60V	26AWG	0.14
04 pins	Solder version	1A	60V	60V	26AWG	0.14

## Panel Cut-out Dimensions



	A	B
M7	7.0 <sup>+0.1</sup> <sub>-0</sub>	M7x0.75

## Notes

- Please refer to Page 6 for part number breakdown.



# M5 Male Panel Mount, Flying Leads, Front Fastened

Connector series: M5

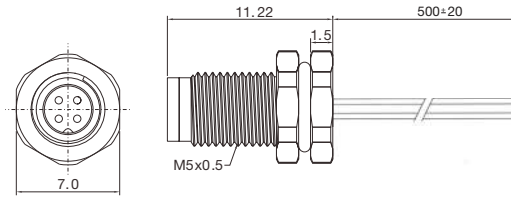
Gender: Male

Coding: A, B

Locking type: Fix screw

Mounting type: Front fastening

Part No.: IPM-M5\*\*M-FL



\*\* refers to coding and number of contacts

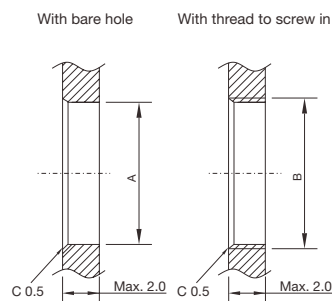
## General Information

Standard:	IEC 61076-2-105	Insulation resistance:	≥ 100MΩ
Ambient temperature:	-25°C ~ +90°C	Contact resistance:	≤ 5mΩ
Connector insert:	TPU	Shielding:	Unavailable
Connector contacts:	Brass with gold plated	IP rating:	IP67 in locked condition
Connector nut/screw:	Brass with nickel plated	Wire length:	500 mm
Seal/O-ring:	Epoxy resin/FKM		

## Electrical Data & Mechanical Data

Contacts		Rated Current	Voltage		Wire gauge / size		Wire insulation
			A/C	D/C	AWG	mm <sup>2</sup>	
03 pins		1A	60V	60V	26AWG	0.14	PVC
04 pins		1A	60V	60V	26AWG	0.14	PVC

## Panel Cut-out Dimensions



	A	B
M5	5.0 <sup>+0.1</sup> <sub>-0</sub>	M5x0.5

## Notes

- Please refer to Page 6 for part number breakdown.

# M5 Female Panel Mount, Flying Leads, Front Fastened

Connector series: M5

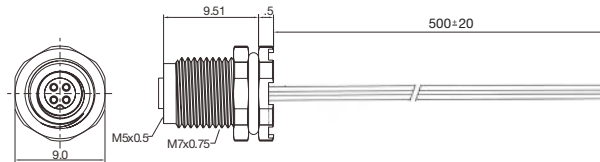
Gender: Female

Coding: A

Locking type: Fix screw

Mounting type: Front fastening

Part No.: IPM-M5\*\*F-FL



\*\* refers to coding and number of contacts

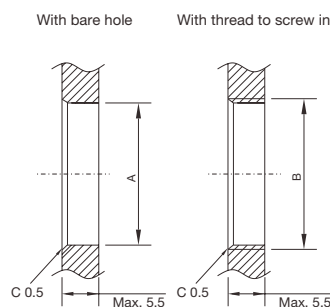
## General Information

Standard:	IEC 61076-2-105	Insulation resistance:	≥ 100MΩ
Ambient temperature:	-25°C ~ +90°C	Contact resistance:	≤ 5mΩ
Connector insert:	TPU	Shielding:	Unavailable
Connector contacts:	Brass with gold plated	IP rating:	IP67 in locked condition
Connector nut/screw:	Brass with nickel plated	Wire length:	500 mm
Seal/O-ring:	Epoxy resin/FKM		

## Electrical Data & Mechanical Data

Contacts	Rated Current	Voltage		Wire gauge / size		Wire insulation
		A/C	D/C	AWG	mm <sup>2</sup>	
03 pins	1A	60V	60V	26AWG	0.14	PVC
04 pins	1A	60V	60V	26AWG	0.14	PVC

## Panel Cut-out Dimensions



	A	B
M7	7.0 <sup>+0.1</sup> <sub>-0</sub>	M7x0.75

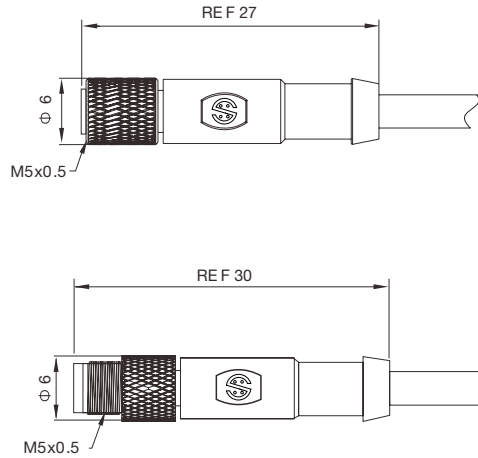
## Notes

- Please refer to Page 6 for part number breakdown.

# M5 Straight Female to M5 Straight Male Cable Assembly

Connector series: M5  
Gender: Female to Male  
Coding: A  
Locking type: Fix screw  
Mounting type: Straight  
Part No.: IPM-M5\*\*-FM-XXX

\*\* refers to coding and number of contacts  
X refers to cable length and material



## General Information

Standard:	IEC 61076-2-105	Insulation resistance:	≥ 100MΩ
Ambient temperature:	-10°C~80°C (fixed) -5°C~80°C (flexible)	Contact resistance:	≤ 5mΩ
Connector insert:	TPU	Shielding:	Unavailable
Connector contacts:	Brass with gold plated	IP rating:	IP67 in locked condition
Connector overmold:	TPU		
Connector nut/screw:	Brass with nickel plated		
Seal / O-ring:	FKM		

## Electrical Data & Mechanical Data

	Contacts		Rated Current	Voltage		Wire gauge / size		Cable jacket	Wire insulation	Cable length
	Male	Female		A/C	D/C	AWG	mm <sup>2</sup>			
03 pins			1A	60V	60V	26AWG	0.14	PUR / PVC	PVC	Customized length
04 pins			1A	60V	60V	26AWG	0.14	PUR / PVC	PVC	

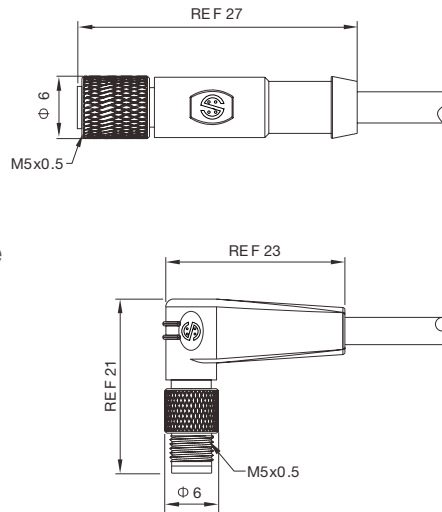
## Notes

- Please refer to Page 4 for the Conversion between American Wire Gauge AWG and Wire Cross-section mm<sup>2</sup>
- Please refer to Page 6 for part number breakdown.

# M5 Straight Female to M5 Right Angle Male Cable Assembly

Connector series: M5  
 Gender: Female to Male  
 Coding: A  
 Locking type: Fix screw  
 Mounting type: Straight to Right Angle  
 Part No.: IPM-M5\*\*-FMRA-XXX

\*\* refers to coding and number of contacts  
 X refers to cable length and material



## General Information

Standard:	IEC 61076-2-105	Insulation resistance:	≥ 100MΩ
Ambient temperature:	-10°C~80°C (fixed) -5°C~80°C (flexible)	Contact resistance:	≤ 5mΩ
Connector insert:	TPU	Shielding:	Unavailable
Connector contacts:	Brass with gold plated	IP rating:	IP67 in locked condition
Connector overmold:	TPU		
Connector nut/screw:	Brass with nickel plated		
Seal / O-ring:	FKM		

## Electrical Data & Mechanical Data

	Contacts		Rated Current	Voltage		Wire gauge / size		Cable jacket	Wire insulation	Cable length
	Male	Female		A/C	D/C	AWG	mm <sup>2</sup>			
03 pins			1A	60V	60V	26AWG	0.14	PUR / PVC	PVC	Customized length
04 pins			1A	60V	60V	26AWG	0.14	PUR / PVC	PVC	

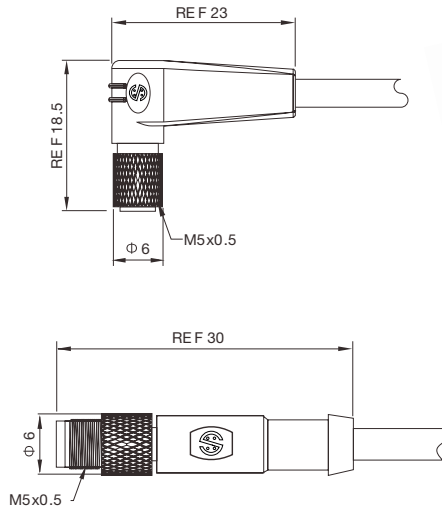
## Notes

- Please refer to Page 4 for the Conversion between American Wire Gauge AWG and Wire Cross-section mm<sup>2</sup>
- Please refer to Page 6 for part number breakdown.

# M5 Right Angle Female to M5 Straight Male Cable Assembly

Connector series: M5  
Gender: Female to Male  
Coding: A  
Locking type: Fix screw  
Mounting type: Right Angle to Straight  
Part No.: IPM-M5\*\*-FRAM-XXX

\*\* refers to coding and number of contacts  
X refers to cable length and material



## General Information

Standard:	IEC 61076-2-105
Ambient temperature:	-10°C~80°C (fixed) -5°C~80°C (flexible)
Connector insert:	TPU; PA
Connector contacts:	Brass with gold plated
Connector overmold:	TPU
Connector nut/screw:	Brass with nickel plated
Seal / O-ring:	FKM

Insulation resistance:	≥ 100MΩ
Contact resistance:	≤ 5mΩ
Shielding:	Unavailable
IP rating:	IP67 in locked condition

## Electrical Data & Mechanical Data

	Contacts		Rated Current	Voltage		Wire gauge / size		Cable jacket	Wire insulation	Cable length
	Male	Female		A/C	D/C	AWG	mm <sup>2</sup>			
03 pins			1A	60V	60V	26AWG	0.14	PUR / PVC	PVC	Customized length
04 pins			1A	60V	60V	26AWG	0.14	PUR / PVC	PVC	

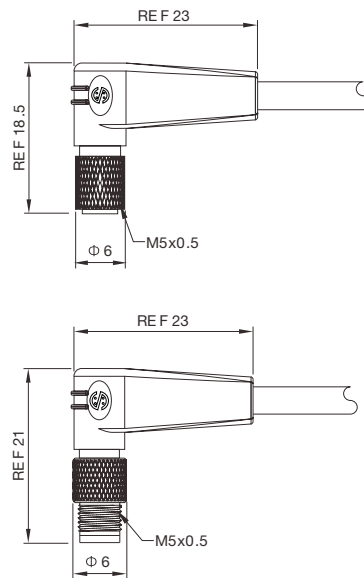
## Notes

- Please refer to Page 4 for the Conversion between American Wire Gauge AWG and Wire Cross-section mm<sup>2</sup>
- Please refer to Page 6 for part number breakdown.

# M5 Right Angle Female to M5 Right Angle Male Cable Assembly

Connector series: M5  
 Gender: Female to Male  
 Coding: A  
 Locking type: Fix screw  
 Mounting type: Right angled  
 Part No.: IPM-M5\*\*-FRAMRA-XXX

\*\* refers to coding and number of contacts  
 X refers to cable length and material



## General Information

Standard:	IEC 61076-2-105	Insulation resistance:	≥ 100MΩ
Ambient temperature:	-10°C~80°C (fixed) -5°C~80°C (flexible)	Contact resistance:	≤ 5mΩ
Connector insert:	TPU	Shielding:	Unavailable
Connector contacts:	Brass with gold plated	IP rating:	IP67 in locked condition
Connector overmold:	TPU		
Connector nut/screw:	Brass with nickel plated		
Seal / O-ring:	FKM		

## Electrical Data & Mechanical Data

	Contacts		Rated Current	Voltage		Wire gauge / size		Cable jacket	Wire insulation	Cable length
	Male	Female		A/C	D/C	AWG	mm <sup>2</sup>			
03 pins			1A	60V	60V	26AWG	0.14	PUR / PVC	PVC	Customized length
04 pins			1A	60V	60V	26AWG	0.14	PUR / PVC	PVC	

## Notes

- Please refer to Page 4 for the Conversion between American Wire Gauge AWG and Wire Cross-section mm<sup>2</sup>
- Please refer to Page 6 for part number breakdown.

## Part Numbers

All M5 Series P/Ns	Catalog Page
IPM-M5A3-MWL-0.5	7
IPM-M5A3-MWL-0.5U	7
IPM-M5A4-MWL-0.5	7
IPM-M5A4-MWL-0.5U	7
IPM-M5A3-MWL-1.5	7
IPM-M5A3-MWL-1.5U	7
IPM-M5A4-MWL-1.5	7
IPM-M5A4-MWL-1.5U	7
IPM-M5A3-MWL-3.0	7
IPM-M5A3-MWL-3.0U	7
IPM-M5A4-MWL-3.0	7
IPM-M5A4-MWL-3.0U	7
IPM-M5A3-FWL-0.5	8
IPM-M5A3-FWL-0.5U	8
IPM-M5A4-FWL-0.5	8
IPM-M5A4-FWL-0.5U	8
IPM-M5A3-FWL-1.5	8
IPM-M5A3-FWL-1.5U	8
IPM-M5A4-FWL-1.5	8
IPM-M5A4-FWL-1.5U	8
IPM-M5A3-FWL-3.0	8
IPM-M5A3-FWL-3.0U	8
IPM-M5A4-FWL-3.0	8
IPM-M5A4-FWL-3.0U	8
IPM-M5A3-MWL-0.5S	9
IPM-M5A3-MWL-0.5US	9
IPM-M5A4-MWL-0.5S	9
IPM-M5A4-MWL-0.5US	9
IPM-M5A3-MWL-1.5S	9
IPM-M5A3-MWL-1.5US	9

All M5 Series P/Ns	Catalog Page
IPM-M5A4-MWL-1.5S	9
IPM-M5A4-MWL-1.5US	9
IPM-M5A3-MWL-3.0S	9
IPM-M5A3-MWL-3.0US	9
IPM-M5A4-MWL-3.0S	9
IPM-M5A4-MWL-3.0US	9
IPM-M5A3-FWL-0.5S	10
IPM-M5A3-FWL-0.5US	10
IPM-M5A4-FWL-0.5S	10
IPM-M5A4-FWL-0.5US	10
IPM-M5A3-FWL-1.5S	10
IPM-M5A3-FWL-1.5US	10
IPM-M5A4-FWL-1.5S	10
IPM-M5A4-FWL-1.5US	10
IPM-M5A3-FWL-3.0S	10
IPM-M5A3-FWL-3.0US	10
IPM-M5A4-FWL-3.0S	10
IPM-M5A4-FWL-3.0US	10
IPM-M5A3-MRA-WL-0.5	11
IPM-M5A3-MRA-WL-0.5U	11
IPM-M5A4-MRA-WL-0.5	11
IPM-M5A4-MRA-WL-0.5U	11
IPM-M5A3-MRA-WL-1.5	11
IPM-M5A3-MRA-WL-1.5U	11
IPM-M5A4-MRA-WL-1.5	11
IPM-M5A4-MRA-WL-1.5U	11
IPM-M5A3-MRA-WL-3.0	11
IPM-M5A3-MRA-WL-3.0U	11
IPM-M5A4-MRA-WL-3.0	11
IPM-M5A4-MRA-WL-3.0U	11

All M5 Series P/Ns	Catalog Page
IPM-M5A3-FRA-WL-0.5	12
IPM-M5A3-FRA-WL-0.5U	12
IPM-M5A4-FRA-WL-0.5	12
IPM-M5A4-FRA-WL-0.5U	12
IPM-M5A3-FRA-WL-1.5	12
IPM-M5A3-FRA-WL-1.5U	12
IPM-M5A4-FRA-WL-1.5	12
IPM-M5A4-FRA-WL-1.5U	12
IPM-M5A3-FRA-WL-3.0	12
IPM-M5A3-FRA-WL-3.0U	12
IPM-M5A4-FRA-WL-3.0	12
IPM-M5A4-FRA-WL-3.0U	12
IPM-M5A3M-PC	13
IPM-M5A4M-PC	13
IPM-M5A3F-PC	14
IPM-M5A4F-PC	14
IPM-M5A3M-SC	15
IPM-M5A4M-SC	15
IPM-M5A3F-SC	16
IPM-M5A4F-SC	16
IPM-M5A3M-FL	17
IPM-M5A4M-FL	17
IPM-M5A3F-FL	18
IPM-M5A4F-FL	18
IPM-M5A3-FM-0.5	19
IPM-M5A3-FM-0.5U	19
IPM-M5A4-FM-0.5	19
IPM-M5A4-FM-0.5U	19
IPM-M5A3-FM-1.5	19
IPM-M5A3-FM-1.5U	19

All M5 Series P/Ns	Catalog Page
IPM-M5A4-FM-1.5	19
IPM-M5A4-FM-1.5U	19
IPM-M5A3-FM-3.0	19
IPM-M5A3-FM-3.0U	19
IPM-M5A4-FM-3.0	19
IPM-M5A4-FM-3.0U	19
IPM-M5A3-FMRA-0.5	20
IPM-M5A3-FMRA-0.5U	20
IPM-M5A4-FMRA-0.5	20
IPM-M5A4-FMRA-0.5U	20
IPM-M5A3-FMRA-1.5	20
IPM-M5A3-FMRA-1.5U	20
IPM-M5A4-FMRA-1.5	20
IPM-M5A4-FMRA-1.5U	20
IPM-M5A3-FMRA-3.0	20
IPM-M5A3-FMRA-3.0U	20
IPM-M5A4-FMRA-3.0	20
IPM-M5A4-FMRA-3.0U	20
IPM-M5A3-FRAM-0.5	21
IPM-M5A3-FRAM-0.5U	21
IPM-M5A4-FRAM-0.5	21
IPM-M5A4-FRAM-0.5U	21
IPM-M5A3-FRAM-1.5	21
IPM-M5A3-FRAM-1.5U	21
IPM-M5A4-FRAM-1.5	21
IPM-M5A4-FRAM-1.5U	21
IPM-M5A3-FRAM-3.0	21
IPM-M5A3-FRAM-3.0U	21
IPM-M5A4-FRAM-3.0	21
IPM-M5A4-FRAM-3.0U	21

All M5 Series P/Ns	Catalog Page
IPM-M5A3-FRAMRA-0.5	22
IPM-M5A3-FRAMRA-0.5U	22
IPM-M5A4-FRAMRA-0.5	22
IPM-M5A4-FRAMRA-0.5U	22
IPM-M5A3-FRAMRA-1.5	22
IPM-M5A3-FRAMRA-1.5U	22
IPM-M5A4-FRAMRA-1.5	22
IPM-M5A4-FRAMRA-1.5U	22
IPM-M5A3-FRAMRA-3.0	22
IPM-M5A3-FRAMRA-3.0U	22
IPM-M5A4-FRAMRA-3.0	22
IPM-M5A4-FRAMRA-3.0U	22





Corporate Headquarters, Philadelphia, PA



European Headquarters & Production Facility, Southampton, UK



Production Facility, Zhuhai, China



North American Production Facility, South Bend, IN



FilConn, Chandler, AZ



PEI-Genesis has sales offices throughout the Americas, Europe and Asia.  
Visit [www.peigenesis.com](http://www.peigenesis.com), call +1 800.675.1214 (North America), +44 (0) 23 8062 1260 (Europe),  
+86 756 7683 088 (Asia), +1 631.475.5050 (Rest of World), or email: [sales@peigenesis.com](mailto:sales@peigenesis.com).

[www.peigenesis.com](http://www.peigenesis.com) | [www.peigenesis.cn](http://www.peigenesis.cn)

