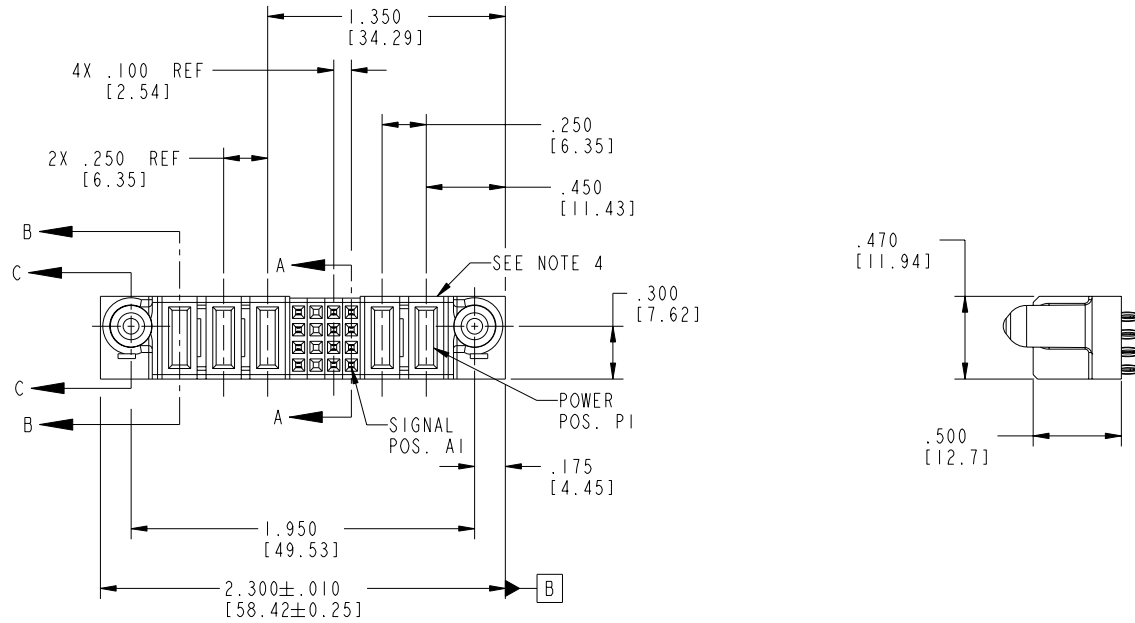


Tous droits strictement réservés. Reproduction ou communication à des tiers interdite sous quelque forme que ce soit sans autorisation écrite du propriétaire. Propriété de c FCI. Droits de reproduction FCI.

All rights strictly reserved. Reproduction or issue to third parties in any form whatever is not permitted without written authority from the proprietor. Property of FCI. Copyright FCI.

PRODUCT NO.	ROWS	POWER			SIGNAL			POWER		
		E2	P5	P4	4	3	P3	P2	P1	E1
51750-071-- NOTE 3	D C B A		PC	PC	PC	F	F	F	F	



CODE	DIM "M" MATING LENGTH	CONTACT TYPE
PC	.042 [1.07]	POWER
PF	.092 [2.34]	POWER
F	N/A [N/A]	SIGNAL
X	OMITTED	OMITTED

mat'l code				SEE NOTE 2		tolerances unless otherwise specified		CUSTOMER		FCI www.fciconnect.com	
ltr	ecn no.	dr	date	linear	.XX±.01/0.X±0.3		COPY		projection		
A	DG05-0378	CS	09/10/05	angles	.XXX±.005/0.XX±0.13		INCH/MM		title 2P + 16S + 3P VERTICAL PRESS-FIT RECEPT		
				dr	CS	09/10/05	scale 1:1		product family PwrBlade code 213		
				enr	STEVEN WANG	09/10/05			size dwg no 51750-071 sheet 1 of 4		
				chr	VICTOR LIN	09/10/05					
				appd	JOSEPH HSIA	09/10/05					
sheet index	revision sheet	A 1	A 2	A 3	A 4						

cage code 22526 4

Pro/E

PDM: Rev:A

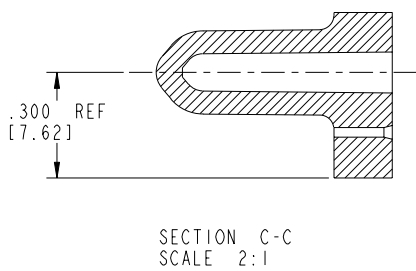
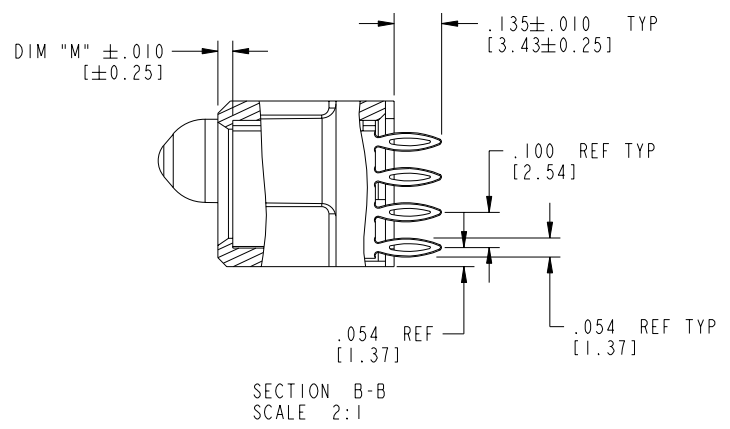
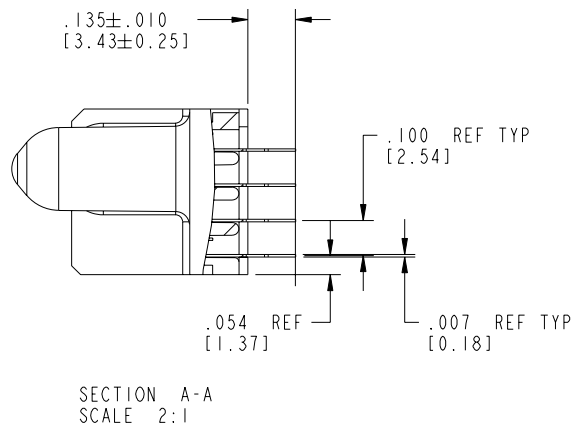
STATUS: Released

Printed: Dec 20, 2010

Tous droits strictement réservés. Reproduction ou communication à des tiers interdite sous quelque forme que ce soit sans autorisation écrite du propriétaire. Propriété de c FCI. Droits de reproduction FCI.

All rights strictly reserved. Reproduction or issue to third parties in any form whatever is not permitted without written authority from the proprietor. Property of FCI. Copyright FCI.

PRODUCT NUMBER
51750-071
NOTE ③



mat'l code		SEE NOTE 2		tolerances unless otherwise specified		CUSTOMER		 www.fciconnect.com	
ltr	ecn no.	dr	date	linear	.XX±.01/0.XX±0.3	COPY		projection	title
A				angles	.XXX±.005/0.XX±0.13	INCH/MM			2P + 16S + 3P VERTICAL PRESS-FIT RECEIPT
				dr	XXXX±.0020/0.XXX±0.051	scale		product family	code
				enr	0° ± 2°	1:1		PwrBlade	213
				chr				size	dwg no
				appd				A	51750-071
sheet index	revision sheet								sheet 2 of 4

cage code 22526

Pro/E

PDM: Rev:A

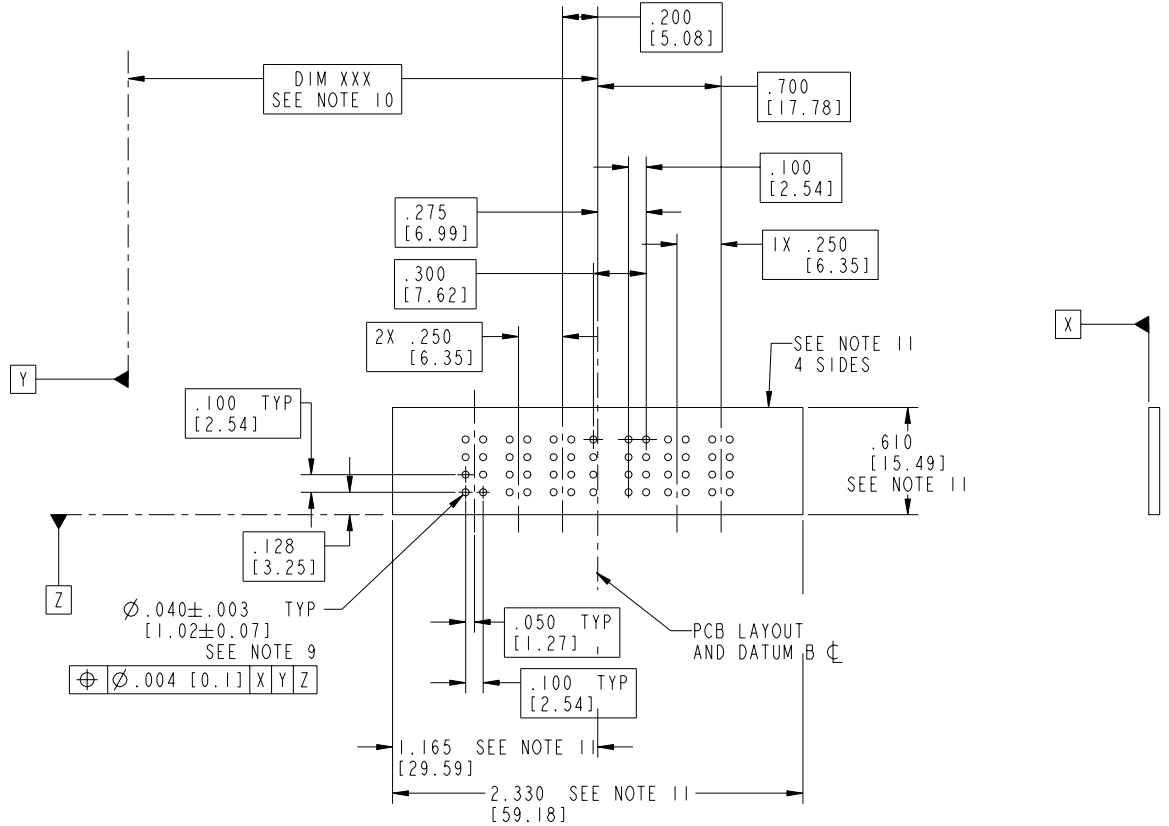
STATUS: Released

Printed: Dec 20, 2010

Tous droits strictement réservés. Reproduction ou communication a des tiers interdite sous quelque forme que ce soit sans autorisation écrite du propriétaire. Propriété de c FCI. Droits de reproduction FCI.

All rights strictly reserved. Reproduction or issue to third parties in any form whatever is not permitted without written authority from the proprietor. Property of FCI. Copyright FCI.

PRODUCT NUMBER
51750-071
NOTE ③



mat'l code		SEE NOTE 2		tolerances unless otherwise specified		CUSTOMER		 www.fciconnect.com	
ltr	ecn no.	dr	date	linear	.XX±.01/0.X±0.3	COPY		projection	title
A					.XXX±.005/0.XX±0.13				2P + 16S + 3P
				angles	.XXXX±.0020/0.XXX±0.051				VERTICAL PRESS-FIT RECEPT
				dr	CS 09/10/05	INCH/MM		product family	PwrBlade
				enr	STEVEN WANG 09/10/05	scale		size	code
				chr	VICTOR LIN 09/10/05	1:1		dwg no	213
				appd	JOSEPH HSIA 09/10/05			51750-071	sheet
sheet index	revision sheet								3 of 4

cage code 22526 4

Pro/E

PDM: Rev:A

STATUS: Released

Printed: Dec 20, 2010

Tous droits strictement réservés. Reproduction ou communication à des tiers interdite sous quelque forme que ce soit sans autorisation écrite du propriétaire. Propriété de c FCI. Droits de reproduction FCI.

All rights strictly reserved. Reproduction or issue to third parties in any form whatever is not permitted without written authority from the proprietor. Property of FCI. Copyright FCI.

PRODUCT NUMBER
51750-071
NOTE ③

NOTES:

1. DIMENSIONS AND TOLERANCES ARE IN ACCORDANCE WITH ASME Y14.5M, 1994 UNLESS OTHERWISE SPECIFIED.

CONNECTOR NOTES:

② HOUSING MATERIAL: UL 94 V-0 GLASS FILLED
HIGH-TEMP THERMOPLASTIC
POWER CONTACT MATERIAL: COPPER ALLOY
SIGNAL PIN MATERIAL: COPPER ALLOY

3. PLATING:
51750-071 Singal Pin: 30u"/0.76um Au OVER 50u"/1.27um Ni ON CONTACT AREA.
AND 100u"/2.54um SnPb PLATING OVER 50u"/1.27um Ni ON THE TERMINATION SECTION.
Power Pin: 30u"/0.76um Au OVER 50u"/1.27um Ni ON THE CONTACT AREA,
AND 100u"/2.54um SnPb PLATING OVER 50u"/1.27um Ni ON THE TERMINATION SECTION.

51750-071LF Singal Pin: 30u"/0.76um Au OVER 50u"/1.27um Ni ON CONTACT AREA.
AND 78u"/2.00um Sn PLATING OVER 50u"/1.27um Ni ON THE TERMINATION SECTION.
Power Pin: 30u"/0.76um Au OVER 50u"/1.27um Ni ON THE CONTACT AREA,
AND 78u"/2.00um Sn PLATING OVER 50u"/1.27um Ni ON THE TERMINATION SECTION.

PART NUMBER 51750-071LF MEETS EUROPEAN UNION DIRECTIVE AND OTHER COUNTRY REGULATIONS AS DESCRIBED IN GS-22-008.

THE HOUSING WILL WITHSTAND EXPOSURE TO 260° PEAK TEMPERATURE FOR 10 SECONDS IN A WAVE SOLDER APPLICATION WITH A CIRCUIT BOARD

④ MANUFACTURER'S NAME, P/N, AND DATE CODE TO APPEAR ON THIS SURFACE.

5. PRODUCT SPECIFICATION GS-12-149.
APPLICATION SPECIFICATION BUS-20-067.

6. PACKAGED IN TRAYS.

PCB NOTES:

7. ALL HOLE DIAMETERS ARE FINISHED HOLE SIZE.

⑧ MOUNTING HOLES, WHERE APPLICABLE, ARE UNPLATED.

⑨ $\varnothing .0453 \pm .0010$ [1.151 ± 0.025] DRILLED HOLES PLATED WITH
.0003 [0.008] MIN SnPb OVER .001 [0.03]
TO .003 [0.08] Cu PLATING TO ACHIEVE
 $\varnothing .040 \pm .003$ [1.02 ± .07] HOLE.

⑩ "DIM XXX" TO BE DETERMINED BY THE CUSTOMER.

⑪ CONNECTOR KEEP-OUT ZONE.

mat'l code		SEE NOTE 2		tolerances unless otherwise specified		CUSTOMER		A FCI www.fciconnect.com	
ltr	ecn no.	dr	date	linear	.XX±.01/0.X±0.3	COPY		projection	title
A					.XXX±.005/0.XX±0.13				2P + 16S + 3P
				angles	XXXX±.0020/0.XXX±0.051				VERTICAL PRESS-FIT RECEIPT
				dr	0° ± 2°	INCH/MM		product family	code
				enr	CS 09/10/05	scale		PwrBlade	213
				chr	STEVEN WANG 09/10/05	1:1		size	4 of 4
				appd	VICTOR LIN 09/10/05			dwg no	
					JOSEPH HSIA 09/10/05			51750-071	
sheet index	revision sheet								

cage code 22526 4