

THIS DRAWING IS UNPUBLISHED.

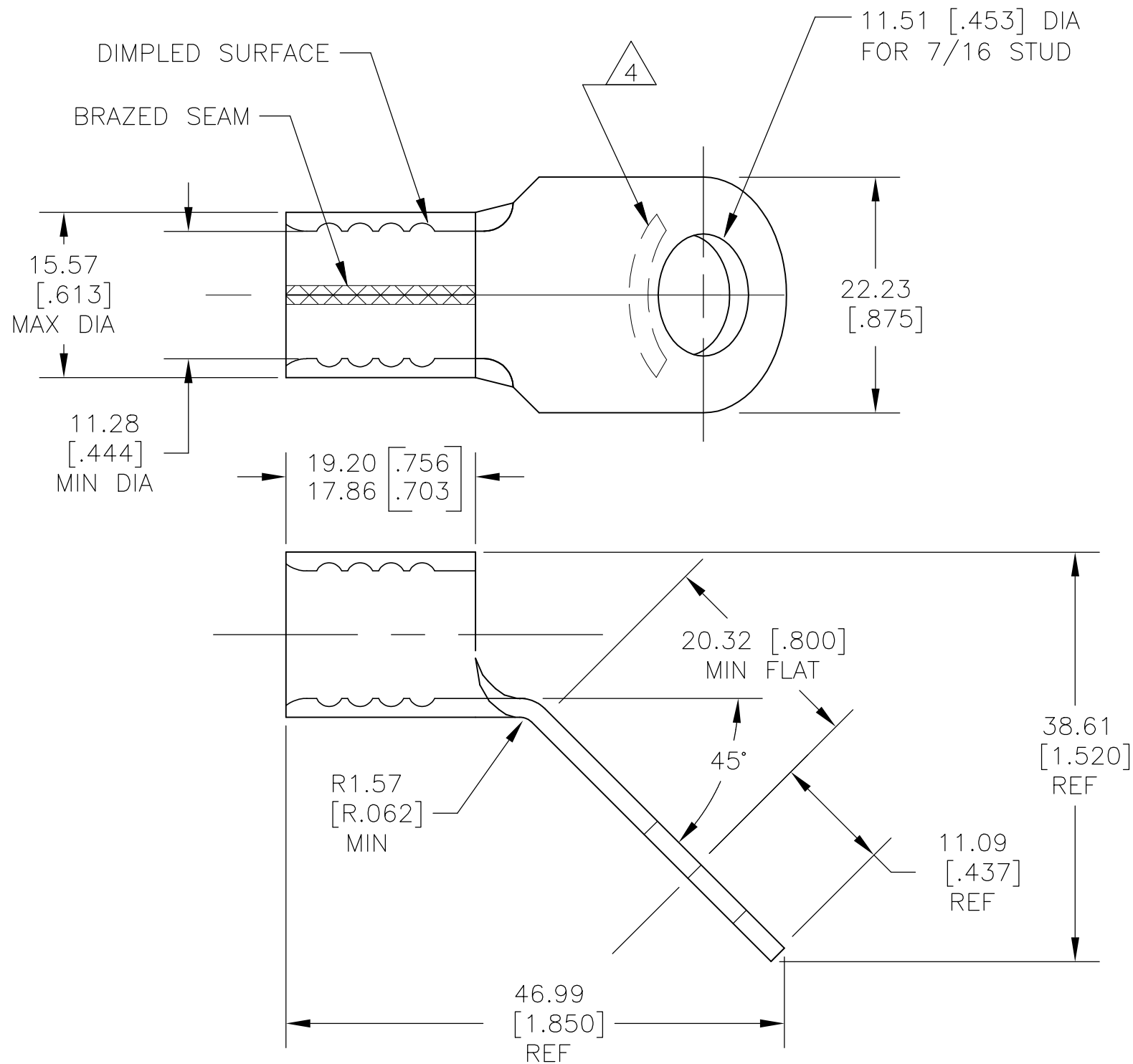
RELEASED FOR PUBLICATION

© COPYRIGHT - TE Connectivity Ltd.

ALL RIGHTS RESERVED.


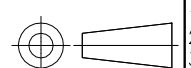

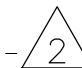
REVISIONS

P	LTR	DESCRIPTION	DATE	DWN	APVD
	A	REL PER ECR 08-032612	14JAN09	JR	RL
	A1	REVISED PER ECO-18-009938	26JUN2018	RS	DR



1958246-1

PART NO

THIS DRAWING IS A CONTROLLED DOCUMENT.		DWN	jr ruth	21JUL08	 TE Connectivity Ltd.
DIMENSIONS: MM [INCHES]		CHK	RAY LANDON	21JUL08	
		APVD	RAY LANDON	21JUL08	
TOLERANCES UNLESS OTHERWISE SPECIFIED:		PRODUCT SPEC		NAME	
0 PLC ± - 1 PLC ± - 2 PLC ± 0.20 [.008] 3 PLC ± - 4 PLC ± - ANGLES ± 5°		APPLICATION SPEC		TERMINAL, RING TONGUE, SOLISTRAND, 1/0	
MATERIAL		WEIGHT		SIZE	
		-		A3 00779	
FINISH		CUSTOMER DRAWING		DRAWING NO	
		SCALE		C-1958246	
		2:1		RESTRICTED TO	
		SHEET		-	
		1 OF 1		REV	
				A1	