

THIS DRAWING IS UNPUBLISHED.

RELEASED FOR PUBLICATION

-. -. .

REVISIONS

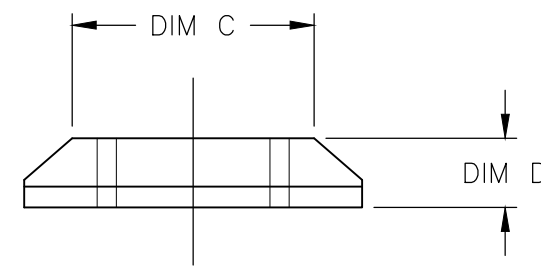
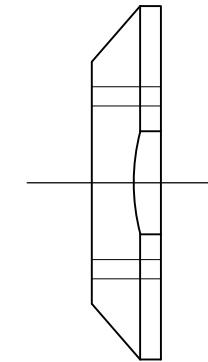
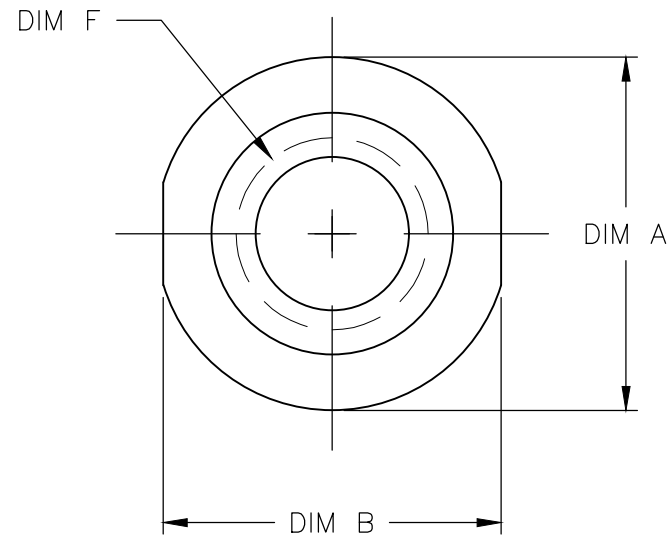
© COPYRIGHT - TE Connectivity Ltd.

ALL RIGHTS RESERVED.


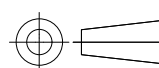
P	LTR	DESCRIPTION	DATE	DWN	APVD
	A1	ECR-16-017266	01JUN2018	SR	PO

① MATERIAL: BRASS.

② FINISH: NICKEL PLATE .0002 THK MIN.



OBSOLETE	15/32-32 UNS-2B	.170	.512	.551	.630	N3504	1825621-2
	1/4-40 UNS-2B	.090	.315	.440	.460	N304	1825621-1
	DIM E	DIM D	DIM C	DIM B	DIM A	ALCO PART NUMBER	TYCO PART NUMBER

THIS DRAWING IS A CONTROLLED DOCUMENT.		DWN S SCHLEGEL 17JAN2007	 TE Connectivity Ltd.			
DIMENSIONS: INCHES		CHK M WILBOURN 1/17/07				
		APVD M WILBOURN 1/17/07	NAME DECORATIVE MOUNTING NUT			
TOLERANCES UNLESS OTHERWISE SPECIFIED:		PRODUCT SPEC	-			
0 PLC ± -		APPLICATION SPEC	-			
1 PLC ± -		WEIGHT	SIZE	CAGE CODE	DRAWING NO	RESTRICTED TO
2 PLC ± -			A3	00779	C-1825621	-
3 PLC ± -			CUSTOMER DRAWING			SCALE
4 PLC ± -			4:1			SHEET
ANGLES ± -			1 OF 1			REV
MATERIAL - ①		FINISH - ②	A1			