

THIS DRAWING IS UNPUBLISHED.

RELEASED FOR PUBLICATION

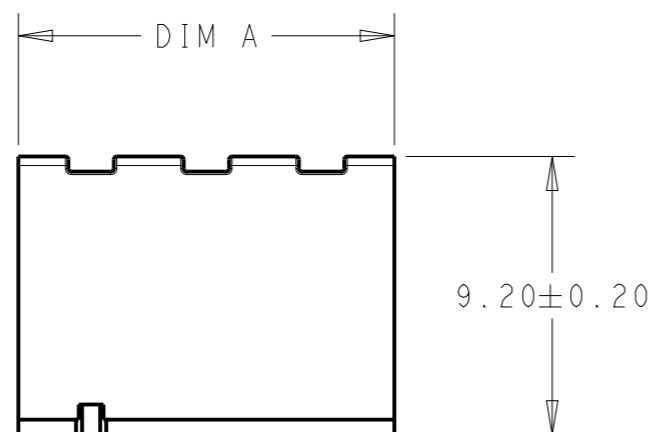
20

© COPYRIGHT 20 BY -

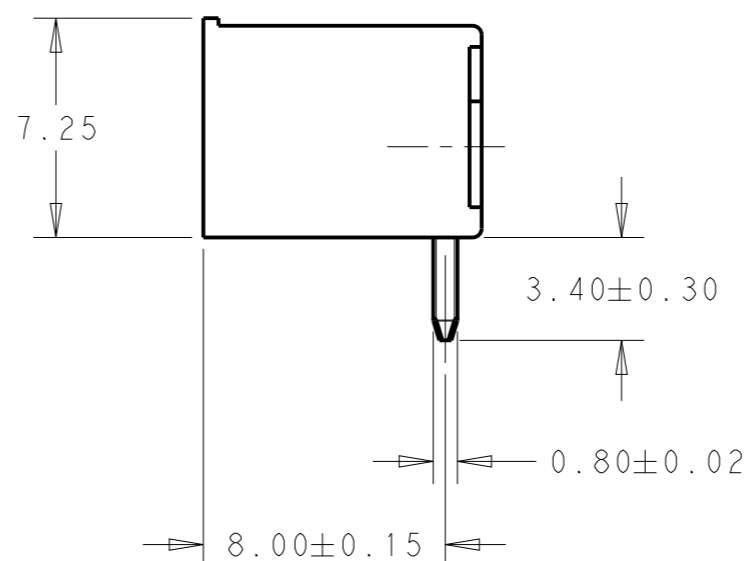
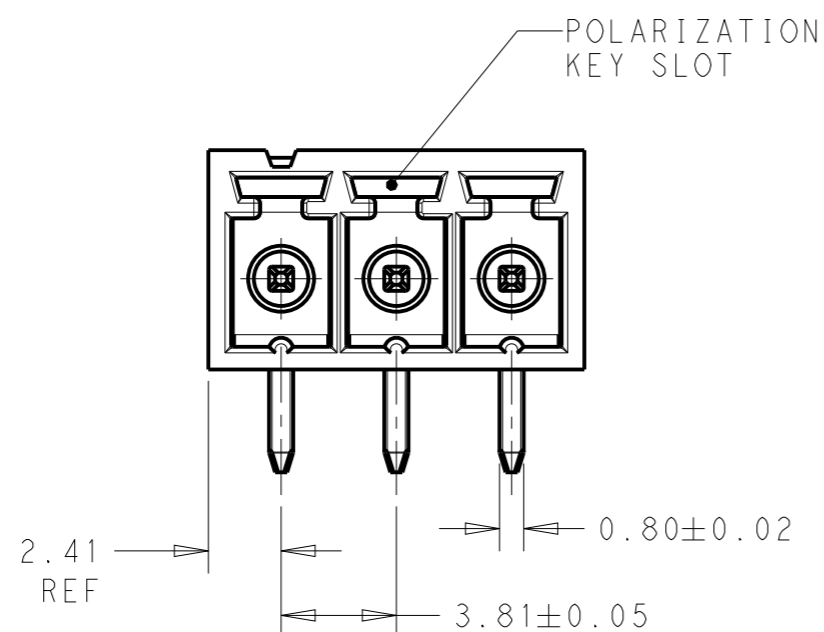
ALL RIGHTS RESERVED.

REVISIONS

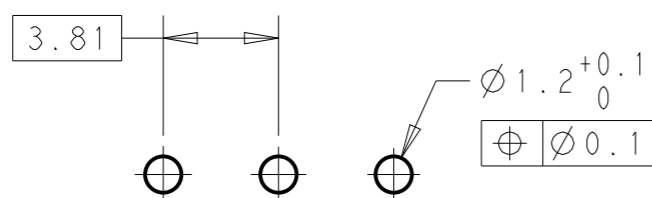
P	LTR	DESCRIPTION	DATE	DWN	APVD
	A	REVISED PER ECO-14-009591	07OCT2014	NK	MM



- 1 MATERIALS AND FINISH:  
HOUSING: HIGH TEMPERATURE POLYAMIDE, UL94V-0  
COLOR: BLACK.  
TERMINAL: PHOSPHOR BRONZE, TIN PLATED.
- 2 SUITABLE FOR 1.6-2.4mm PC BOARD THICKNESS.
- 3 UL RATING: 300V, 11A.



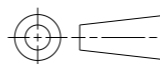
46.73	12	1-1776135-2
42.92	11	1-1776135-1
39.11	10	1-1776135-0
35.30	9	1776135-9
31.49	8	1776135-8
27.68	7	1776135-7
23.87	6	1776135-6
20.06	5	1776135-5
16.25	4	1776135-4
12.44	3	1776135-3
8.63	2	1776135-2
DIM A	NO OF POS.	PART NUMBER



RECOMMENDED PC BOARD LAYOUT

THIS DRAWING IS A CONTROLLED DOCUMENT.

DIMENSIONS:  
mm



TOLERANCES UNLESS OTHERWISE SPECIFIED:

- 0 PLC ±-
- 1 PLC ±0.3
- 2 PLC ±0.25
- 3 PLC ±-
- 4 PLC ±-
- ANGLES ±2°

MATERIAL



FINISH

DWN 06JAN2010

S. SCHLEGEL

CHK 06JAN2010

C RICHARD

APVD 06JAN2010

C RICHARD

PRODUCT SPEC

-

APPLICATION SPEC

-

WEIGHT

-

CUSTOMER DRAWING

NAME

TERMINAL BLOCK HEADER ASSEMBLY,  
90 DEGREE, CLOSED ENDS, 3.81mm PITCH

SIZE

A3

CAGE CODE

000779

DRAWING NO

C=1776135

RESTRICTED TO

-

SCALE 4:1

SHEET 1 OF 1

REV A

