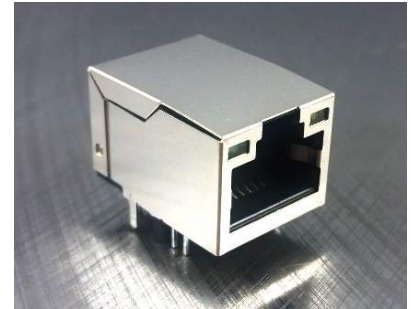




Single Port RJ45 Connector

AR11-3837

- 10/100 Base-T Ethernet Application
- Impedance: 100Ω
- Standard Operating Temperature: 0°C to ±70°C
- Storage Temperature: -40°C to ±85°C



Electrical Specifications @ 25°C

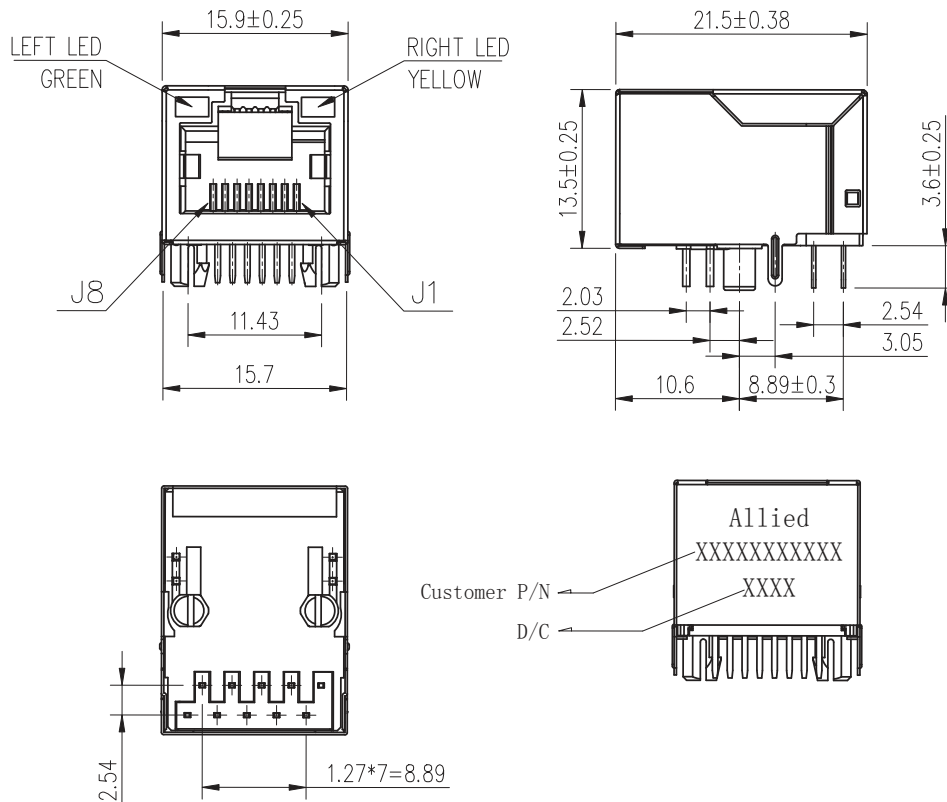
Part Number	OCL(μH Min) @ 100kHz, 0.1V With 8mA DC Bias	Insertion Loss (dB Max) @1-100MHz	Turns Ratio @100kHz, 0.1V	Turns Ratio @100kHz, 0.1V	Cross Talk @1-100MHz -30dB Min
			P1-P2: J1-J2	P3-P6: J3-J6	
AR11-3837	350	-1.0dB Max	1:1±2%	1:1±2%	

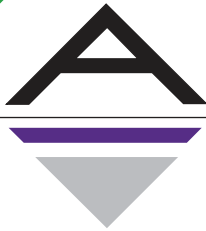
Electrical Specifications @ 25°C

Part Number	Return Loss @MHz				Common Mode Rejection	HI-POT (Vrms) 1.0mA/3Sec.
	1-30	30-60	60-80	80-100		
AR11-3837	-18dB Min	-16dB MIN	-12dB MIN	-10dB MIN	@1-100MHz : -30dB Min	1500

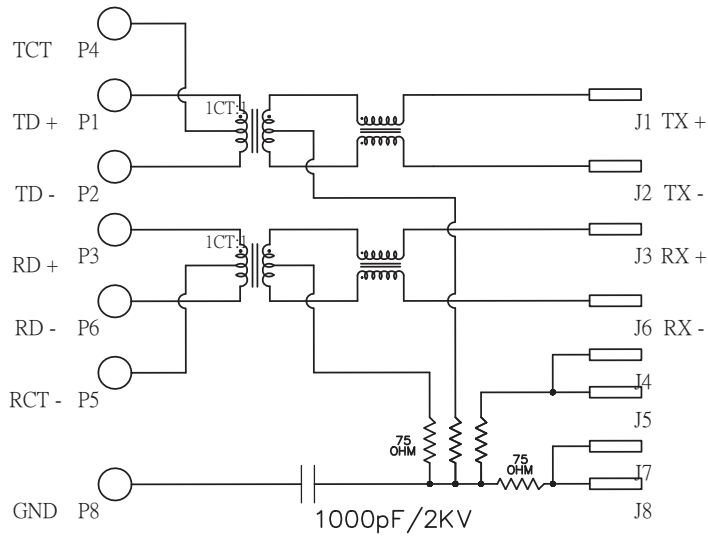
All specifications subject to change without notice.

MECHANICAL





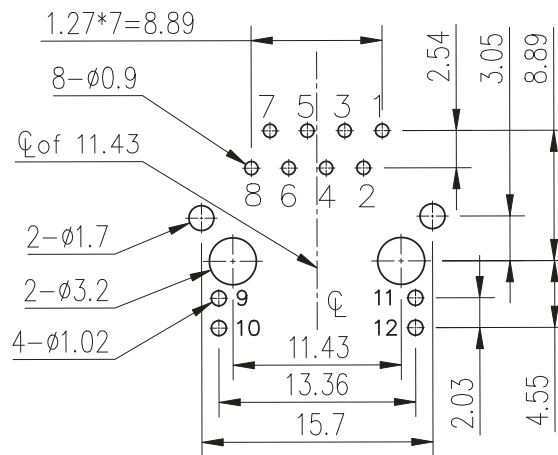
SCHEMATICS



STANDARD LED	WAVELENGTH	FORWARD VOLTAGE
GREEN	565nm	2.5V MAX
YELLOW	585nm	2.5V MAX

With a forward current of 20mA

PCB LAYOUT



NOTES

- Shield- 0.20mm THICKNESS BRASS C2680 H. PLATING NICKEL 20u" MIN.
- Housing- Plastic: Nylon 66, Glass Fiber Filled Polyester UL94V-0 Standard Color Black.
- Contact Pin- Plastic: Nylon 66, Glass Fiber Filled Polyester UL94V-0 Standard Color Black. Pin: 0.35mm Thickness Phosphor Bronze C5210 EH. Plating: Nickel 30u"-60u" for all and Sn 100%, and 15u" Gold Plating.
- Insert Pin- Plastic: Nylon 66, Glass Fiber Filled Polyester UL94V-0 Standard Color Black. Pin: 0.35mm Thickness SUS430. Plating: Sn all over 30u"-60u" Nickel