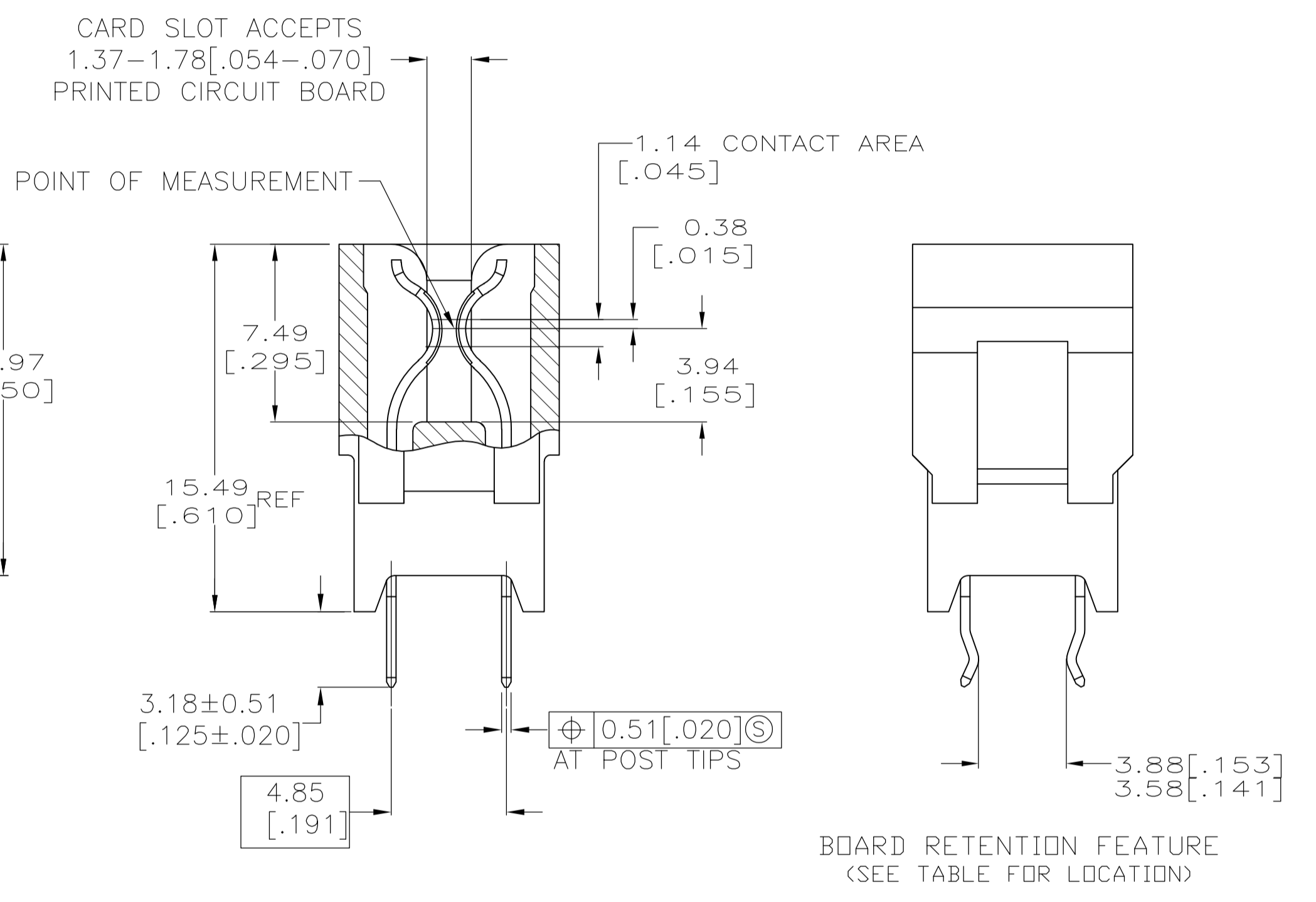
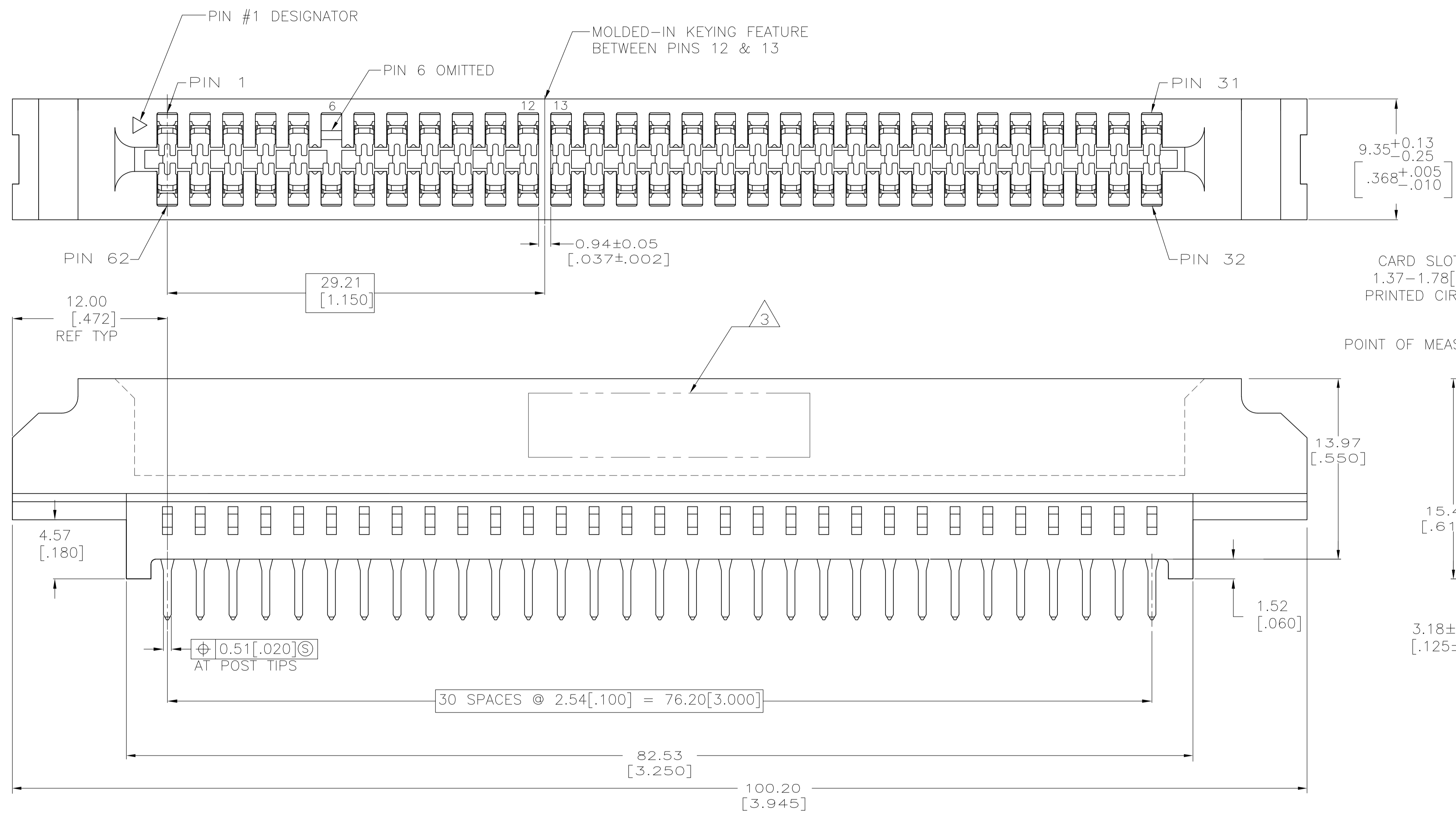


LOC		DIST		REVISIONS			
F	LTR	DESCRIPTION	DATE	DWN	APVD		
B		ECO-07-026535	01APR2008	LAM	AWF		

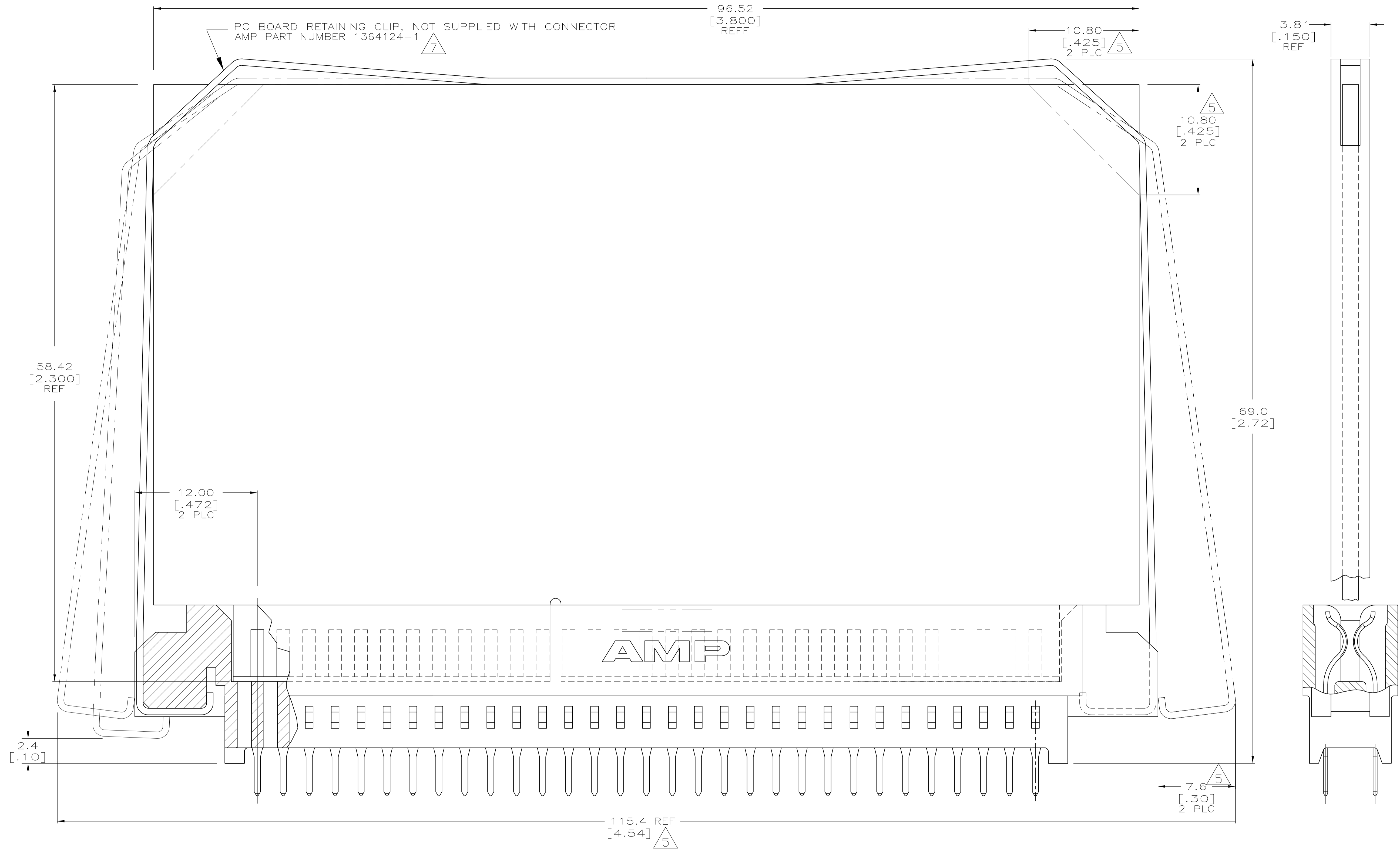
- MATERIAL:  
HOUSING: GLASS FILLED POLYESTER; COLOR: BLACK.  
CONTACT: HIGH CONDUCTIVITY COPPER ALLOY
- FINISH:  
0.00038[.00015] MIN GOLD PLATE IN CONTACT AREA,  
0.00254[.000100] MIN MATTE TIN ON SOLDER POSTS, ALL  
OVER 0.00127[.000050] MIN NICKEL
- AMP LOGO, TE PART NUMBER, DATE CODE AND CSA LOGO INK  
STAMPED WHITE (HOT STAMPED OR LAZER PRINTED) IN THE APPROXIMATE  
AREA SHOWN, EITHER SIDE PERMISSABLE, WHEN HOUSING SIZE PERMITS
- DATUMS AND BASIC DIMENSIONS ESTABLISHED BY CUSTOMER
- KEEP OUT ZONE APPLIES TO BOTH SIDES OF PC BOARD (FRONT AND BACK)
- 4 OUNCE COPPER REQUIRED
- RETAINING CLIP: STAINLESS STEEL, SOLD SEPARATELY, NOT INCLUDED WITH CONNECTOR
- ELECTRICAL PERFORMANCE OF THIS CONNECTOR IS DIRECTLY RELATED TO THE VRM 9.1  
POWER MODULE BOARD DESIGN AND MAY BE AFFECTED BY CHANGES TO THAT DESIGN
- CONNECTOR PERFORMANCE IS BASED UPON INFORMATION FROM THE VRM 9.0 AND  
9.1 MODULE BOARD DESIGN STANDARD
- CONNECTORS SHOWN ARE USED IN APPLICATIONS WITH VRM MODULES WEIGHING UP TO  
6 OUNCES. ALTERNATIVE CONNECTOR AND LATCHING METHOD IS AVAILABLE FOR VRM  
MODULES WEIGHING 3 OUNCES OR LESS. CONSULT TYCO ELECTRONICS ENGINEERING  
FOR ADDITIONAL INFORMATION



<b>OBsolete</b>	6489162-3
<b>OBsolete</b>	6489162-2
	PART NUMBER

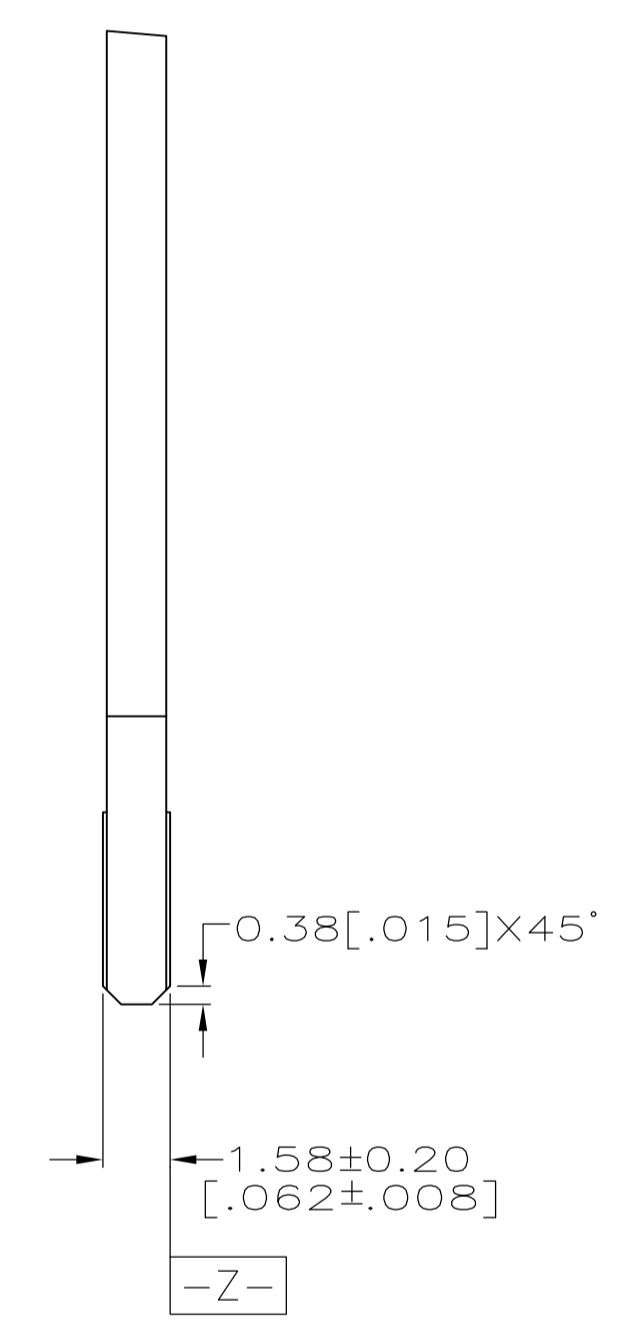
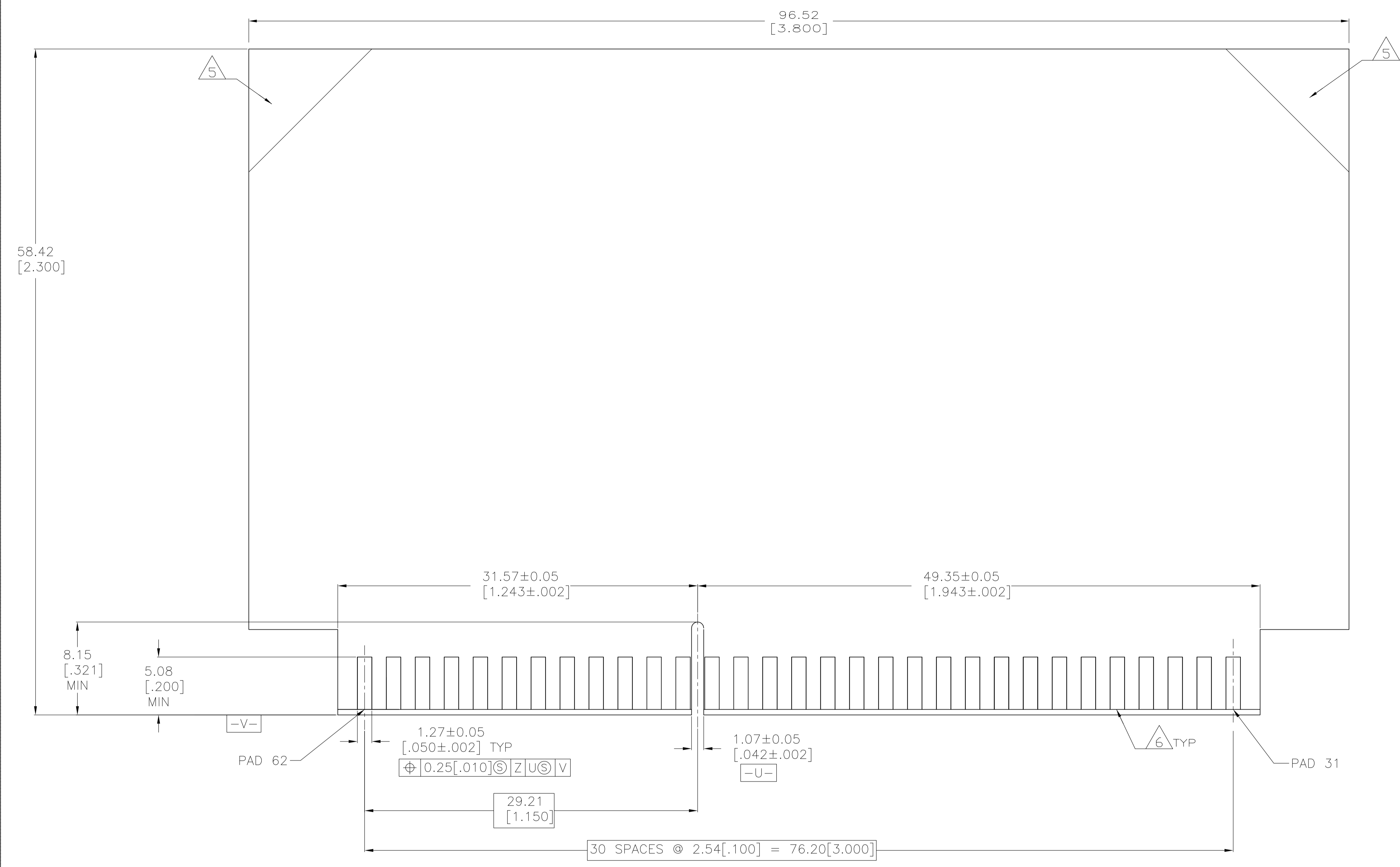
9.1,+12V	2,3,29,30,33,34,60,61	31	6489162-1
VRM DESIGNATION	BOARD RETENTION FEATURE LOCATION	NO OF DUAL POSN	PART NUMBER

THIS DRAWING IS A CONTROLLED DOCUMENT.		DWN AWF/L.A.MAYER 01APR2008	Tyco Electronics Corporation Harrisburg, PA 17105-3608	
DIMENSIONS: mm [INCHES]		CHK A.W.FRANTUM 01APR2008	NAME S.FLICKINGER	
TOLERANCES UNLESS OTHERWISE SPECIFIED: 0. PLC ± - 1. PLC ± - 2. PLC ± 0.13[.005] 3. PLC ± - 4. PLC ± - ANGLES ± -		APVD S.FLICKINGER 01APR2008	PRODUCT SPEC 108-9039-2	
MATERIAL SEE NOTE 1		FINISH SEE NOTE 2	APPLICATION SPEC 114-13018	RESTRICTED TO CUSTOMER DRAWING
WEIGHT		SIZE A1	CAGE CODE 00779	DRAWING NO 6489162
SCALE 5:1		SHEET 1 OF 3		REV B

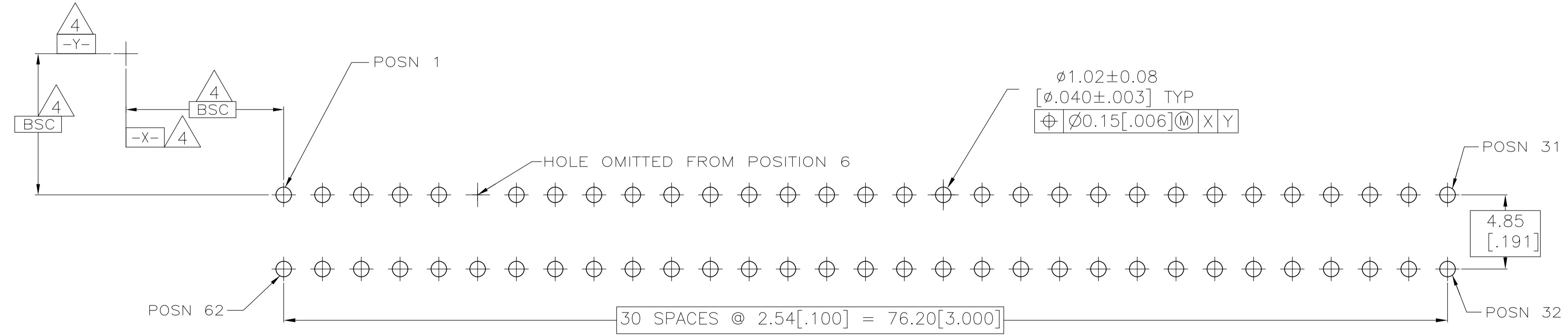


THIS DRAWING IS A CONTROLLED DOCUMENT.		DIN AWF/L.A.MAYER 01APR2008	Tyco Electronics Tyco Electronics Corporation Harrisburg, PA 17105-3608
DIMENSIONS: mm [INCHES]		CHK A.W.FRANTUM 01APR2008	
TOLERANCES UNLESS OTHERWISE SPECIFIED:		APVD S.FLICKINGER 01APR2008	NAME
0 PLC ± -			CONNECTOR ASSEMBLY, HIGH CURRENT CARD EDGE, DUAL POSITION, 2.54[.100] CENTERLINE
1 PLC ± -			PRODUCT SPEC
2 PLC ± 0.13[.005]			108-9039-2
3 PLC ± -			APPLICATION SPEC
4 PLC ± -			114-13018
ANGLES ± -			SIZE CAGE CODE DRAWING NO RESTRICTED TO
MATERIAL SEE NOTE 1	FINISH SEE NOTE 2	WEIGHT -	A1 00779 C=6489162
		CUSTOMER DRAWING SCALE 5:1 SHEET 2 OF 3 REV B	

LOC		DIST		REVISIONS			
P	LTR	DESCRIPTION	DATE	DNW	APVD		
AA	00	SEE SHEET 1	-	-	-		



RECOMMENDED MATING BOARD EDGE CONFIGURATION



RECOMMENDED PC BOARD HOLE LAYOUT

THIS DRAWING IS A CONTROLLED DOCUMENT.		DIN AWF/L.A.MAYER 01APR2008		Tyco Electronics Corporation	
DIMENSIONS: mm [INCHES]		CIK A.W.FRANTUM 01APR2008		Tyco Electronics Corporation Harrisburg, PA 17105-3608	
TOLERANCES UNLESS OTHERWISE SPECIFIED:		APVD S.FLICKINGER 01APR2008		NAME	
0 PLC ± -		PRODUCT SPEC		CONNECTOR ASSEMBLY, HIGH CURRENT CARD EDGE, DUAL POSITION, 2.54[.100] CENTERLINE	
1 PLC ± ±		APPLICATION SPEC		108-9039-2	
2 PLC ± ± 0.13[.005]		SIZE		114-13018	
3 PLC ± ±		CAGE CODE		DRAWING NO	
4 PLC ± ±		WEIGHT		RESTRICTED TO	
ANGLES ± ±		A1 00779		6489162	
MATERIAL SEE NOTE 1		FINISH SEE NOTE 2		CUSTOMER DRAWING	
		SCALE 5:1		SHEET 3 OF 3	