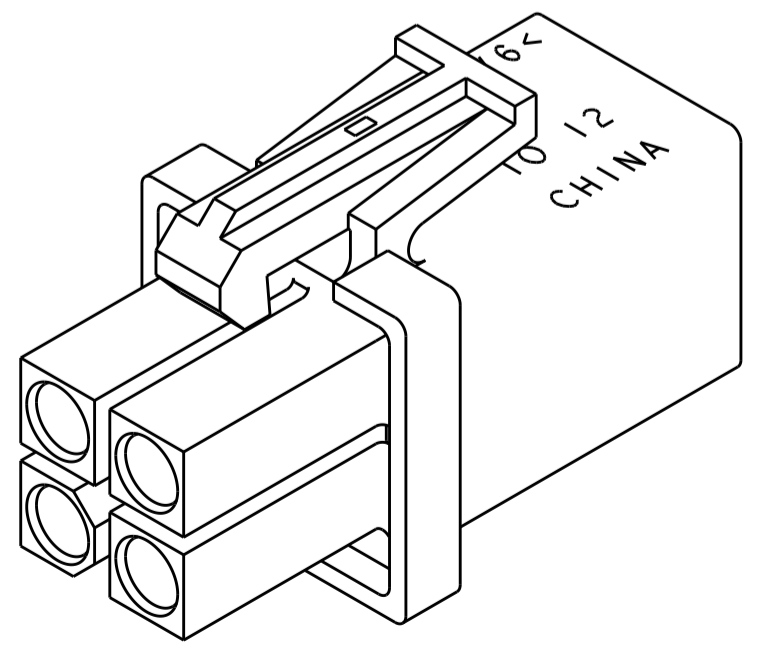
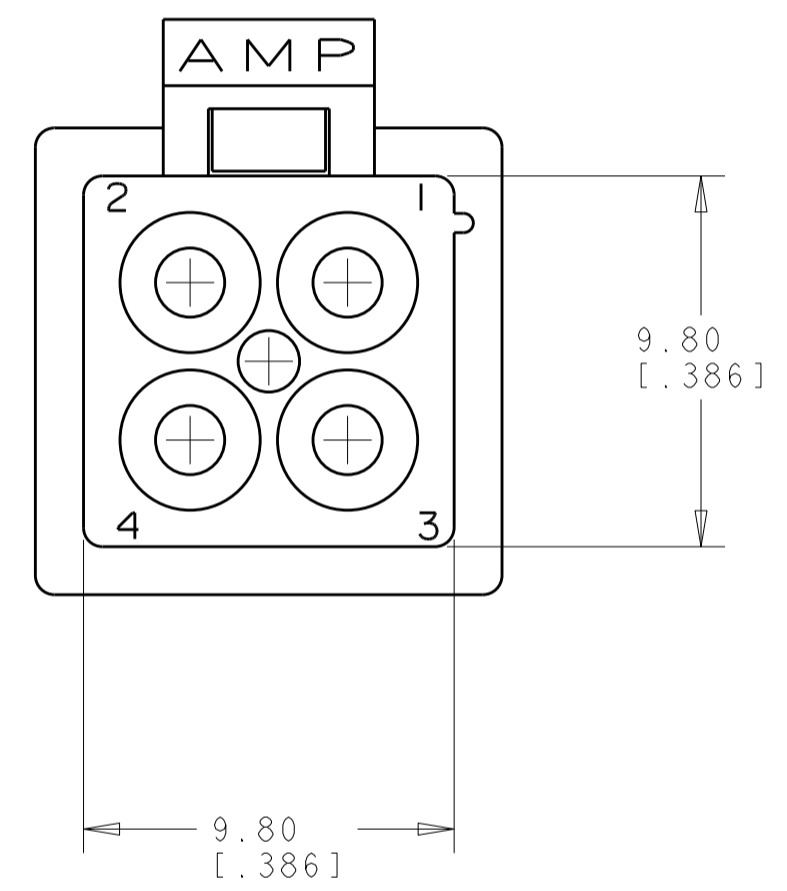
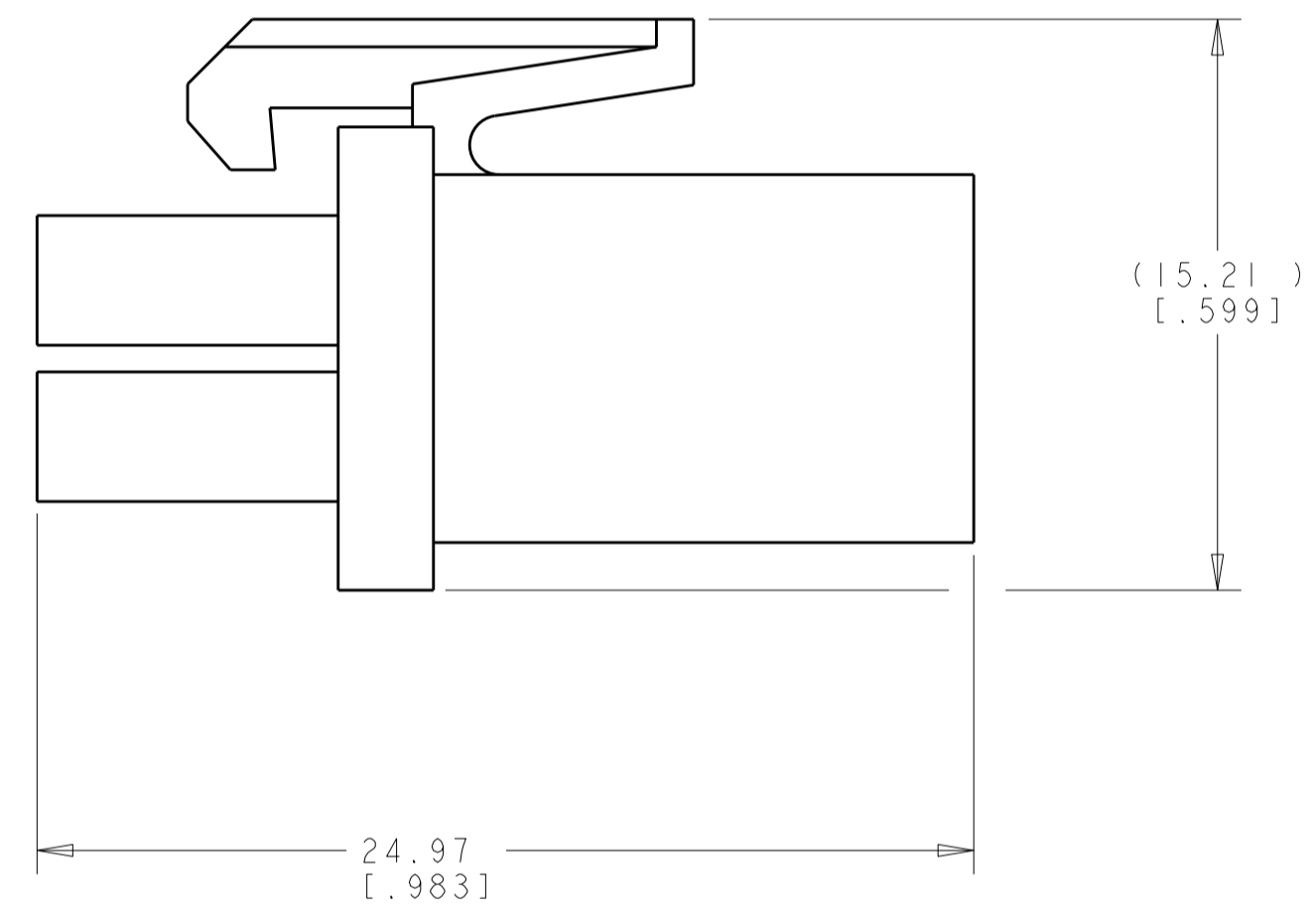
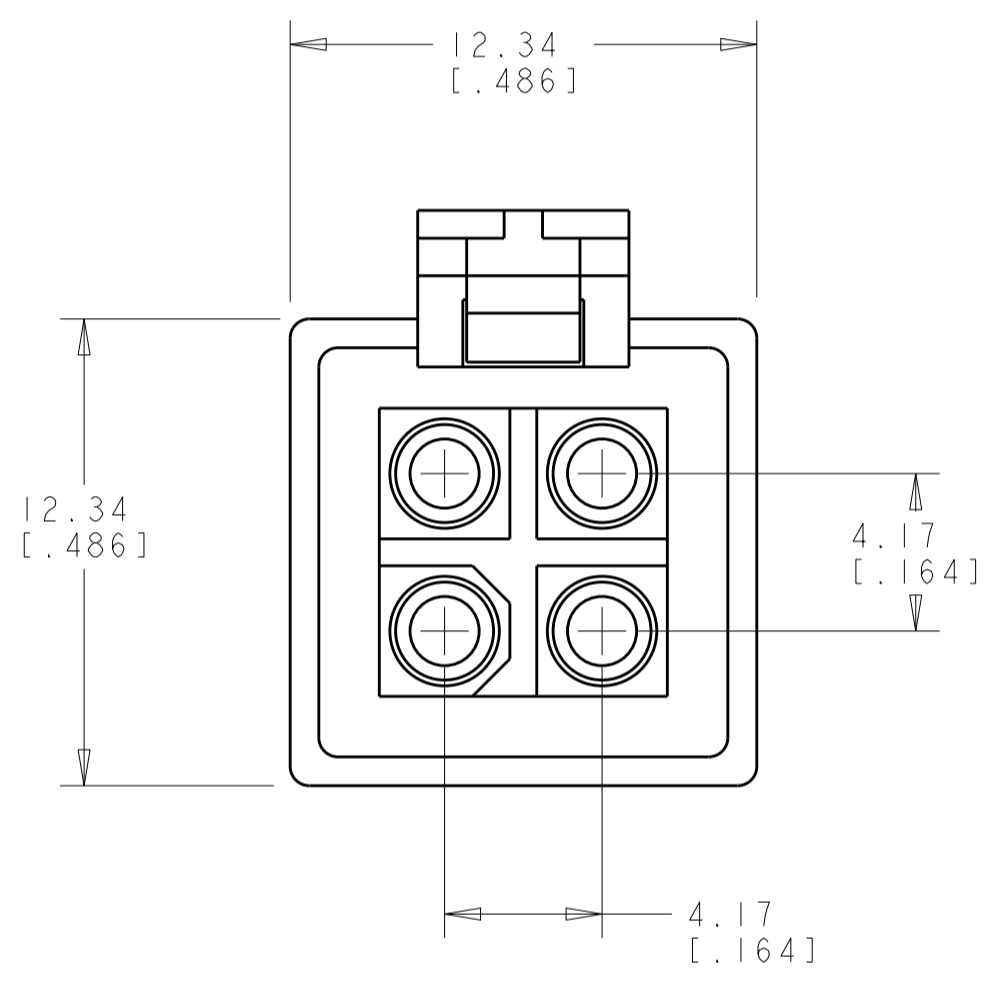


THIS DRAWING IS UNPUBLISHED. RELEASED FOR PUBLICATION 20
 © COPYRIGHT 20 BY - ALL RIGHTS RESERVED.

LOC	DIST	REVISIONS			
P	LTR	DESCRIPTION	DATE	DWN	APVD
CM	00	C	REVISED PER ECR-12-017444	27NOV2017	BW SG

1. DIMENSIONS IN BRACKETS ARE IN INCHES.



3 DIMENSIONAL MODEL
 SCALE 4:1

794805-1
 PART NUMBER

THIS DRAWING IS A CONTROLLED DOCUMENT.		DWN K. WHITAKER	LOMAY2000	
DIMENSIONS: mm [INCHES]		CHK K. COBLE	TOMAY2000	
TOLERANCES UNLESS OTHERWISE SPECIFIED:		APVD K. COBLE	TOMAY2000	
0 PLC ±-	1 PLC ±-	PRODUCT SPEC	NAME	
2 PLC ±0.13 [.005]	3 PLC ±-	APPLICATION SPEC	PLUG, 4 CIRCUIT, MINI UNIVERSAL MATE-N-LOK(TM)	
4 PLC ±-	ANGLES ±0° 30'	WEIGHT	SIZE	CAGE CODE
MATERIAL NYLON, UL94V-0, WHITE	FINISH	CUSTOMER DRAWING	A200779	DRAWING NO 794805
		SCALE 5:1	SHEET 1 OF 1	REV C

