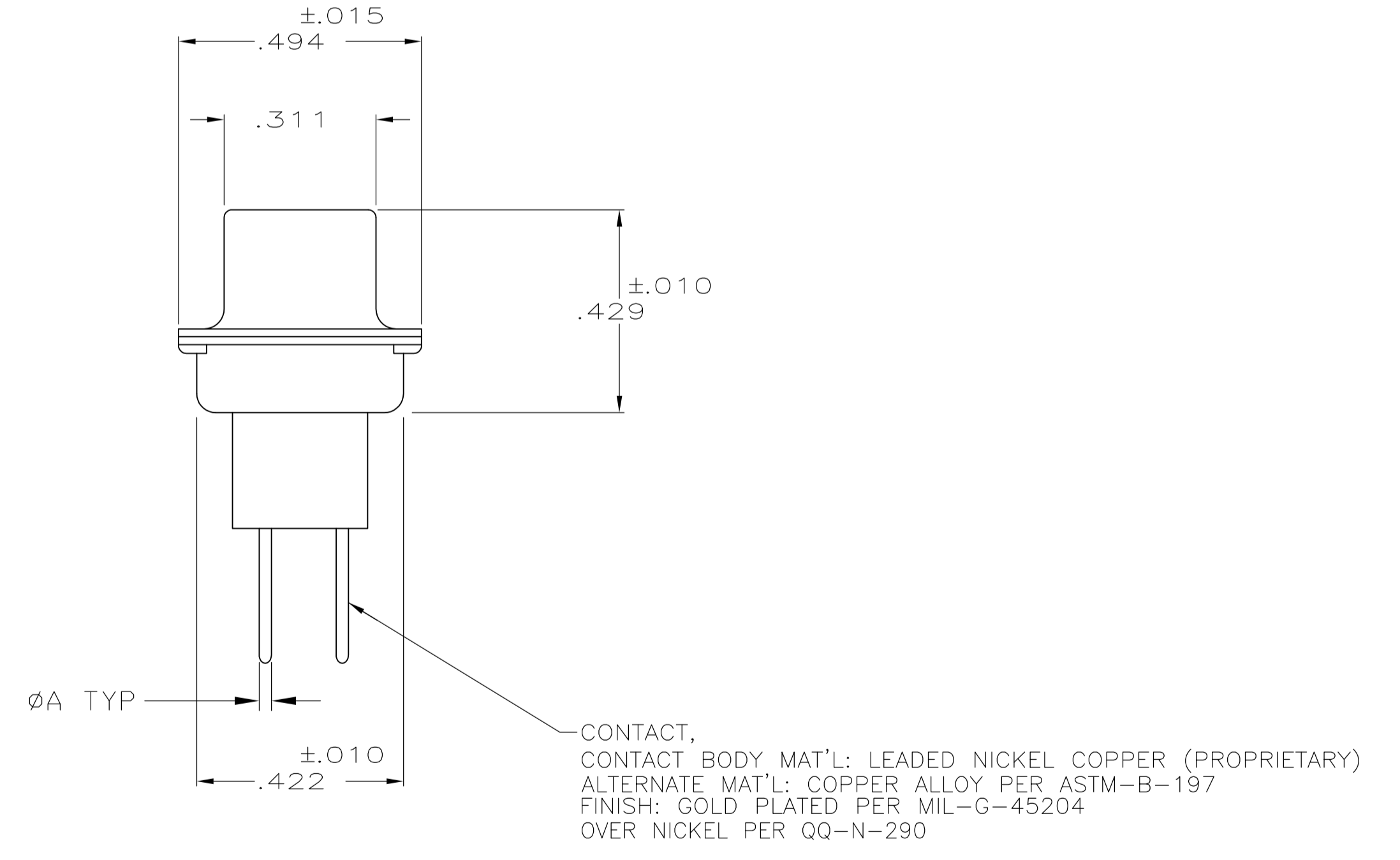
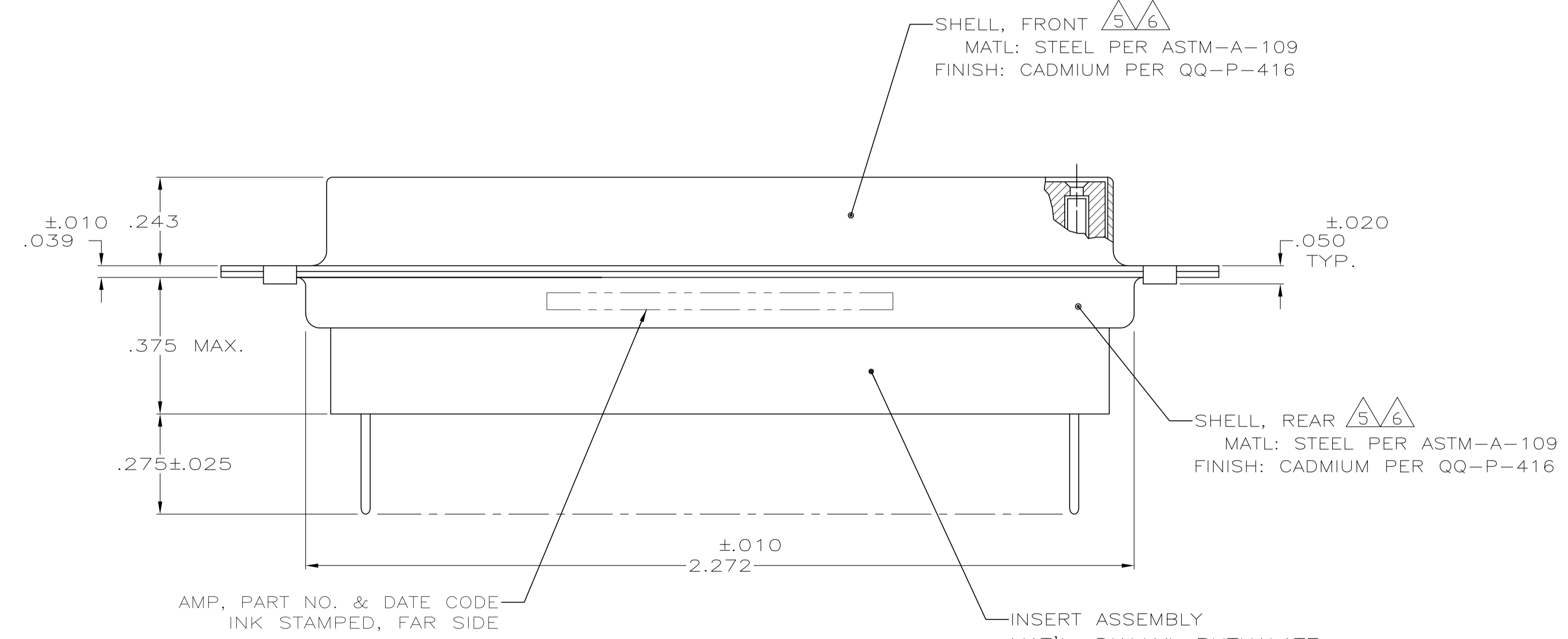
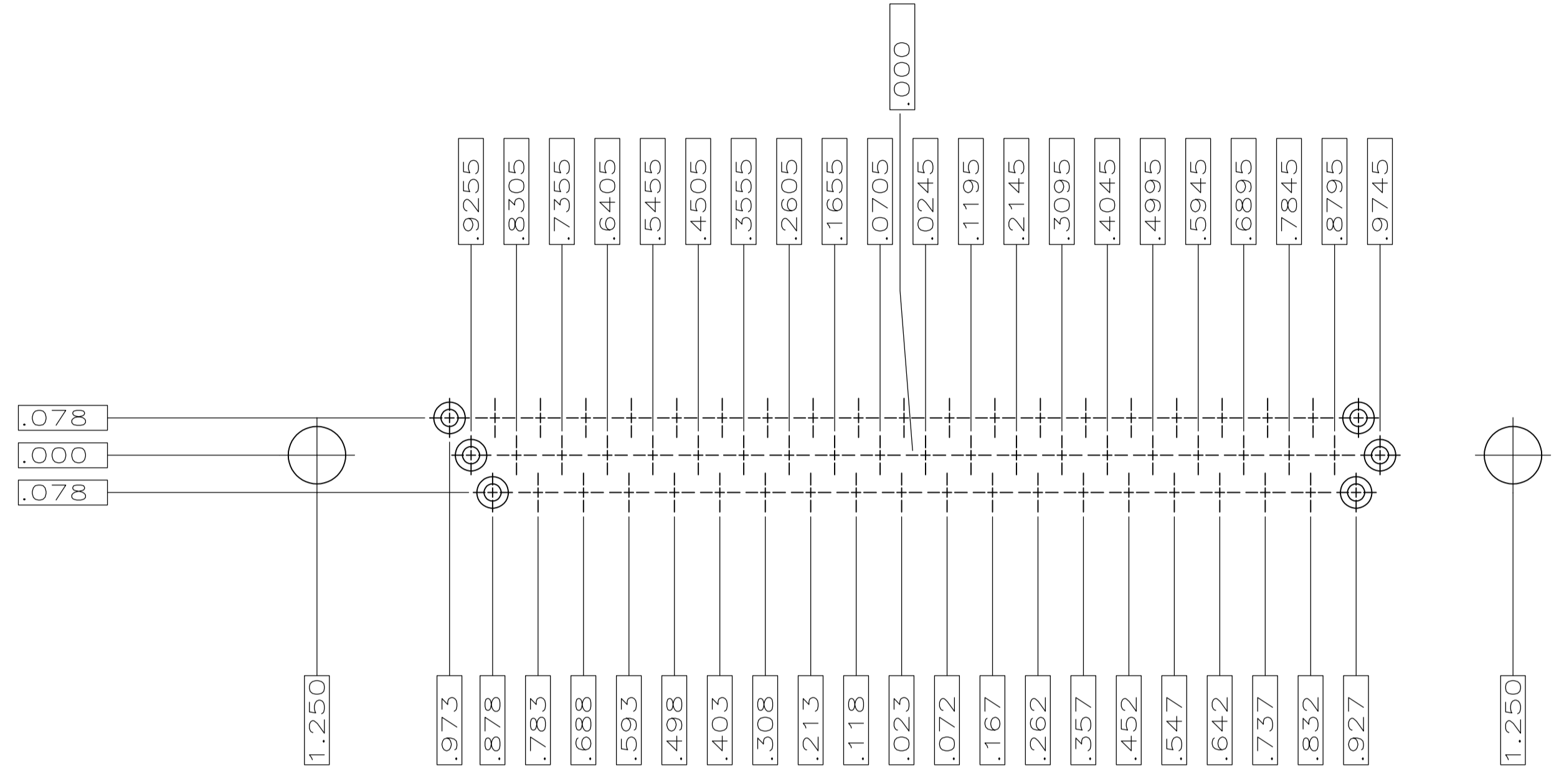
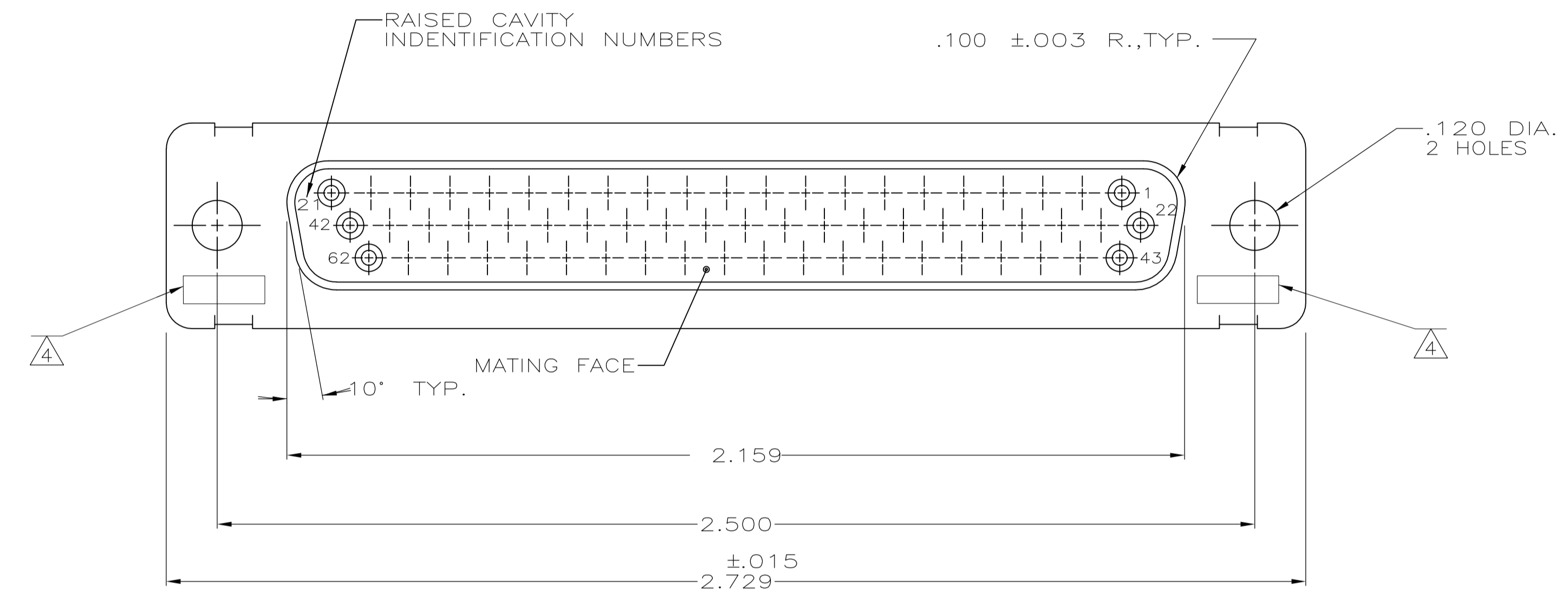


LOC		DIST		REVISIONS			
P	LTR	DESCRIPTION	DATE	DN	APVD		
K	REV PER ECO	13-000277	1-25-13	CT	RL		



- .040 DIA HOLE IS RECOMMENDED FOR P.C. BOARD.
- CONNECTOR MATES WITH ANY AMP 62 POSN PLUG.
- REPLACEMENT SOCKET AMP# 207684-4.
- UL/CSA DESIGNATION STAMPED IN THIS AREA, OPTIONAL.
- FINISH: CADIUM PER QQ-P-614.
- FINISH: ZINC PER ASTM-B-633 .000200-.000400 THK WITH SUPPLEMENTARY CHROMATE (Cr3+).

PRELIMINARY- NOT RELEASED FOR PRODUCTION

REMARKS	DIM A	PART NO.
6	.025	5-208875-1
5	.018	208875-2
5	.025	208875-1

THIS DRAWING IS A CONTROLLED DOCUMENT.

DIMENSIONS: INCHES	TOLERANCES UNLESS OTHERWISE SPECIFIED:	DIN C.C.THOMAS 1-8-88	1-8-88
0 PLC ± .005	1 PLC ± .005	CHK F.C.BALLEW III 1-25-88	1-25-88
1 PLC ± .005	2 PLC ± .005	APVD F.BALLEW 1-25-88	1-25-88
3 PLC ± .005	4 PLC ± .005	NAME	
ANGLES ± .005		APPLICATION SPEC	
MATERIAL SEE CALLOUTS	FINISH SEE CALLOUTS	WEIGHT	
CUSTOMER DRAWING		SCALE 4:1	SHEET 1 OF 1

STE TE Connectivity

AMPLITE 62 POSN. RCPT. ASSY., WITH LOADED POSTED CONTACTS, SIZE 4, SERIES 90

SIZE: A1 CAGE CODE: 00779 DRAWING NO: 208875 RESTRICTED TO: -