

# FRM Series

Non-Penetrating Roof Mounts

## Product Features:

Non-penetrating roof mounts are constructed of steel and use standard concrete blocks to anchor

For use with DBS, off-air antenna, satellite internet systems and point to point CCTV signal transmission

Dark gray weather resistant powder coat finish

### FRM-125

60" mast with 1.25" O.D.

### FRM-166

30" mast with 1.66" O.D.

### FRM-200

30" mast with 2.00" O.D.

## Product Specifications:

*(for Architects & Engineers)*

The non-penetrating roof mount for antenna's and satellite dishes is the Video Mount Products (VMP) model FRM-\_\_\_\_. The mount shall be primarily constructed of angular and tubular steel. The mount shall be constructed as to allow up to 8 standard size concrete blocks to be used as ballast for the mount. The mount shall be painted with weather resistant powder coat paint.

## Video Mount Products

345 Log Canoe Circle

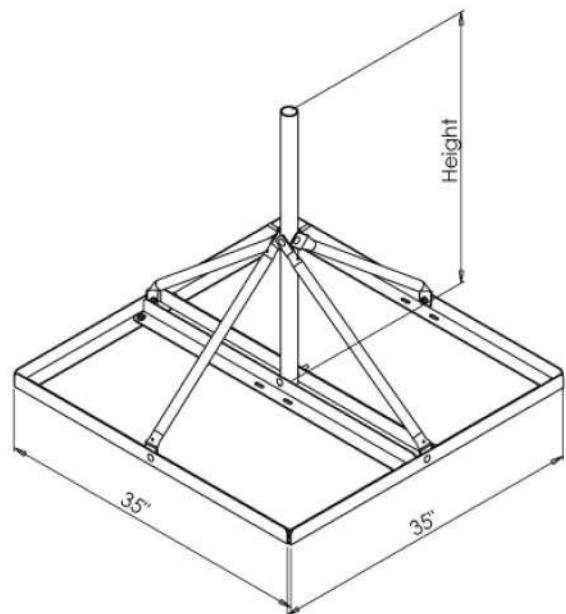
Stevensville, MD 21666

Toll Free: 877.281.2169

Telephone: 410.643.6390

Facsimile: 410.643.6615

[www.videomount.com](http://www.videomount.com)



**VMP**  
VIDEO MOUNT PRODUCTS