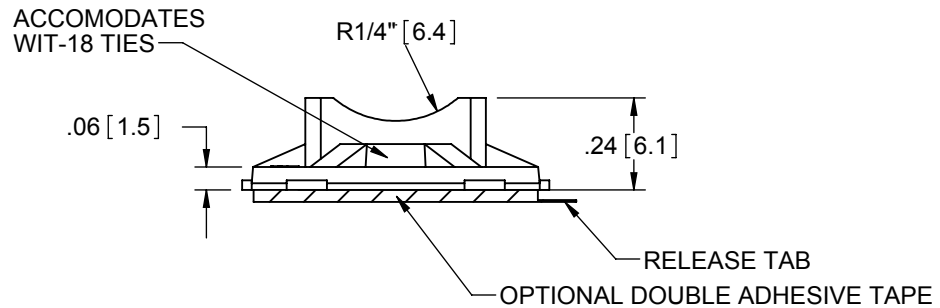
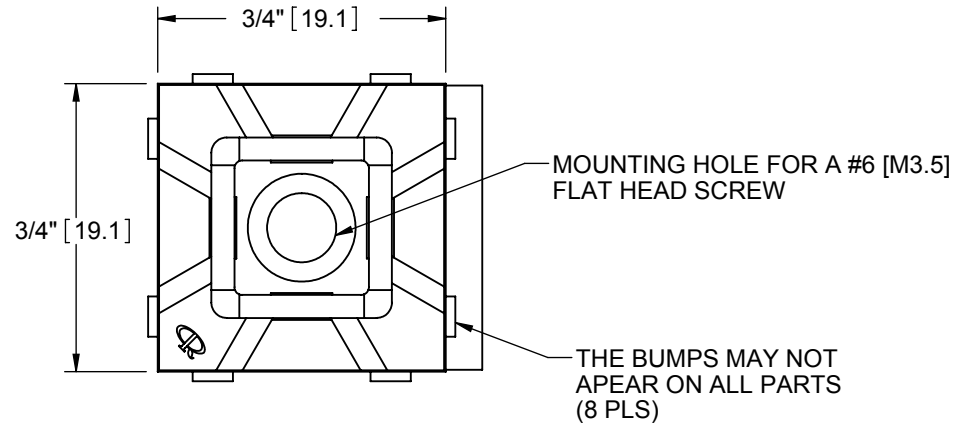
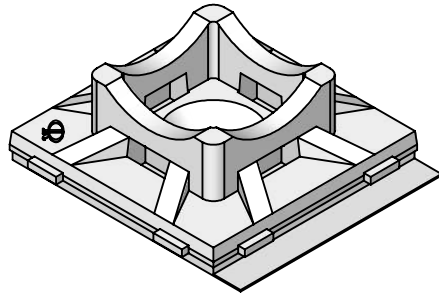


PART NO.	MATERIAL	COLOR	ADHESIVE
FTH-5-01	UL94 V-2 NYLON 6/6 (RMS-01)	NATURAL	NONE
FTH-5A-RT			1/32" THICK ACRYLIC TAPE (RMS-15), WHITE LINER W/ RELEASE TAB
FTH-5A1-RT			1/32" THICK RUBBER TAPE (RMS-102), BLUE LINER W/ RELEASE TAB
FTH-5-DHB			.04" THICK HIGH BOND ACRYLIC TAPE (RMS-500), RED LINER, NO RELEASE TAB
FTH-5-UVB			NONE
FTH-5A-RT-UVB	UVB STABILIZED NYLON (RMS-46)	BLACK	1/32" THICK ACRYLIC TAPE (RMS-15), WHITE LINER WITH RELEASE TAB
*FTH-5A1-RT-UVB			1/32" THICK RUBBER TAPE (RMS-102), BLUE LINER WITH RELEASE TAB

*AVAILABLE BY SPECIAL ORDER ONLY



- NOTES:
1. UL94 V-0 NYLON 6/6 (RMS-19) MATERIAL AVAILABLE BY SPECIAL ORDER ONLY
COLOR NATURAL.
 2. PACKAGING QUANTITIES ARE REFLECTED AS THE SUFFIX "-LETTER"
EXAMPLE: FTH-5-01-M FOR 1000 PCS PER BAG.
-C = 100 PCS
-M = 1000 PCS

K	ADDED FTH-5-DHB, ECN # 1429	DZ	04/05/2017	TITLE: FLAT TIE HOLDER					UNITS: INCH [mm]
J	ADDED NOTE 2. SEE CO 200661 FOR CHANGES	SK	05/12/2011	FILE #: FTH-5	DWN: SK	APP: -	FINAL		
I	SEE CO 200570 FOR CHANGES	SK	08/04/2010	SHEET: 1 OF 1	SHEET SIZE: A	DT: 03/10/2005	CHKD: -	PART #	
H	SEE CO 200248 FOR CHANGES	SK	10/30/2008	RE: -			ESSENTRA	SEE TABLE	
G	SEE ECN #1124 FOR CHANGES	SK	01/24/2006			COMPONENTS		PRINT TYPE	
F	SEE ECN #962 FOR CHANGES	SK	03/10/2005					CA	
-	SEE ENGINEERING FOR REV. A-E	-	----						
REV.	DESCRIPTION	ENGR.	DATE						

CREATED USING
SOLIDWORKS

TOLERANCES
UNLESS NOTED
.XX=±.010
.XXX=±.005
FRAC.=±1/64
ANG.=±1°