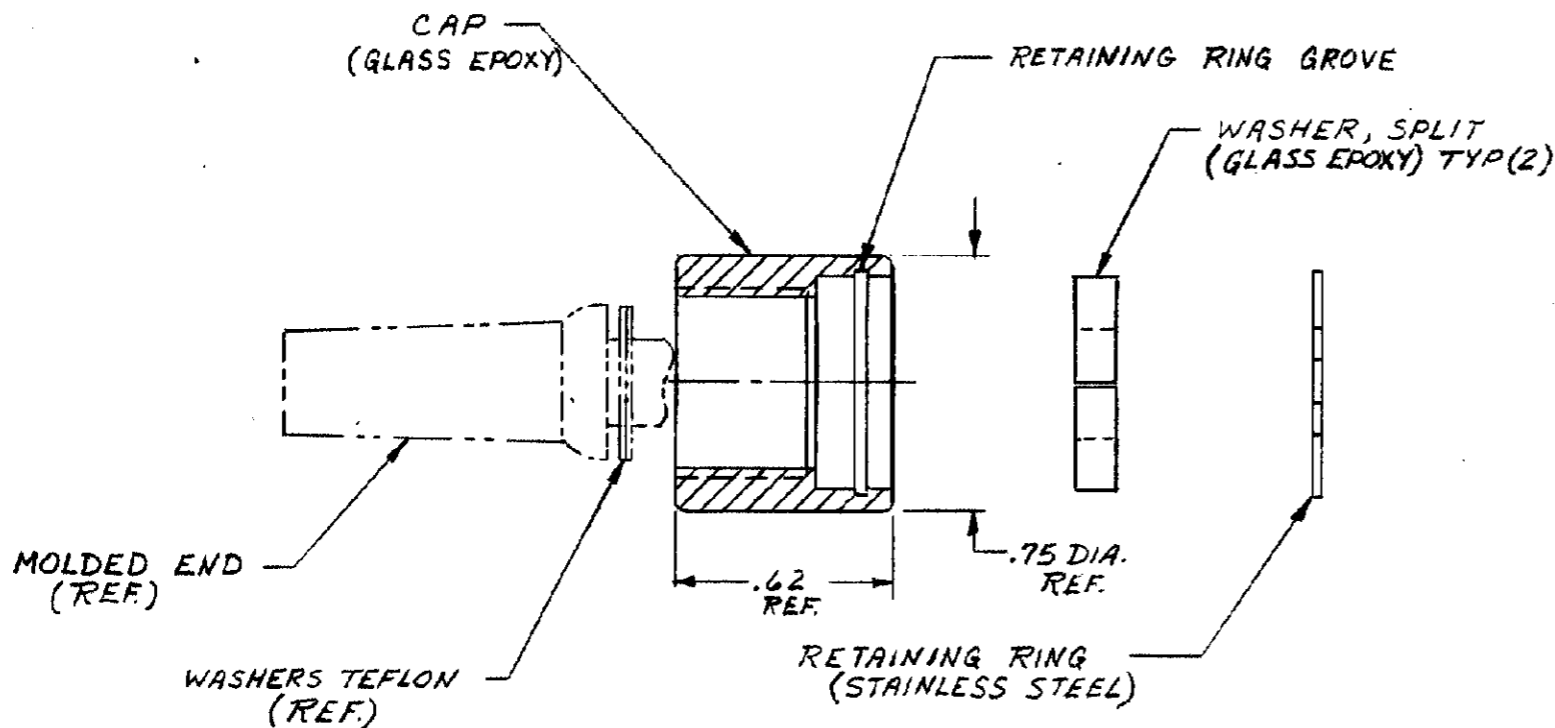


DRAWING MADE IN AMERICAN PROJECTION

© 1969 BY AMP INCORPORATED. ALL RIGHTS RESERVED. AMP PRODUCTS COVERED BY PATENTS AND/OR PATENTS PENDING.

THIS PRODUCT DESIGNED AND BUILT BY AMP INCORPORATED. NO LICENSE TO USE THAT DESIGN IN MANUFACTURE, OR TO USE ANY ISSUED OR PENDING PATENTS WHICH ARE INVOLVED, IS IMPLIED.

REVISIONS				
ZONE	LTR	DESCRIPTION	DATE	APPROVED
		WAS SD 27168		
A		WASHER WAS BRASS	11-20-69	JPA
B		ADDED -1, -2 & -3	11-16-73	JPA
C		OBSOLETE -2, -3 ECN 53630	1-29-87	JM



KIT CONSISTS OF THE FOLLOWING ITEMS

1. CAP
2. WASHER, SPLIT (2 HALVES)
3. RETAINING RING

OBSOLETE	849267-3	AS SHOWN WITH RED CAP
	849267-2	AS SHOWN WITH GREEN CAP
	849267-1	AS SHOWN WITH BLACK CAP

QTY REQD	CTY REQD	ITEM NO.	DWG SIZE	PART OR IDENTIFYING NO.	NOMENCLATURE OR DESCRIPTION	SYMBOL
-2	-1					

PARTS LIST

UNLESS OTHERWISE SPECIFIED: DIMENSIONS ARE IN INCHES TOLERANCES .00 ± ANGLES - .000 ±				CONTRACT NO. DR <i>J. Weib</i> 1-11-69		AMP INCORPORATED CAPITRON DIVISION ELIZABETHTOWN, PENNSYLVANIA	
MATERIAL:				CHK		NAME KIT, LGH-1 & 1L	
FINISH:				APPD		REPLACEABLE CAP FOR MOLDED END LEADS	
NEXT ASSY				DSGN APPD <i>B.W. New</i> 1-14-69		SIZE B	
FINAL ASSY				OTHER APPD		CODE IDENT NO. 80779	
NEXT ASSY						NUMBER 849267	
USED ON						SCALE <i>1:1</i> WT	
QTY REQD				APPLICATION		SHEET 1 OF 1	