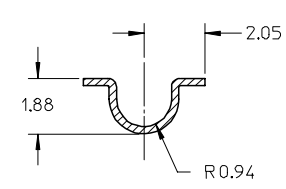
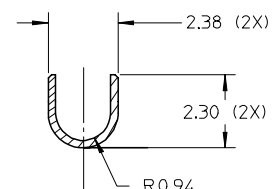


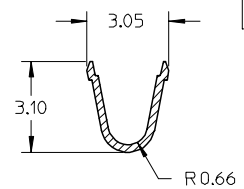
PRODUCT SPECIFICATION NUMBER	HOUSING PART NUMBER	TERMINAL PART NUMBER	WING TYPE
PS-78036-001	78037-1001 OR 78166-1001	78037-2001	BEND
PS-78196-001	78197-1001	78037-2005	STRAIGHT



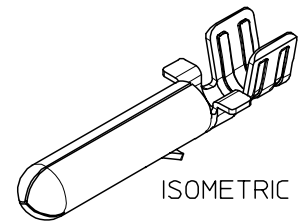
SECTION Y-Y
BEND WING TYPE



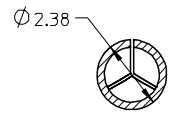
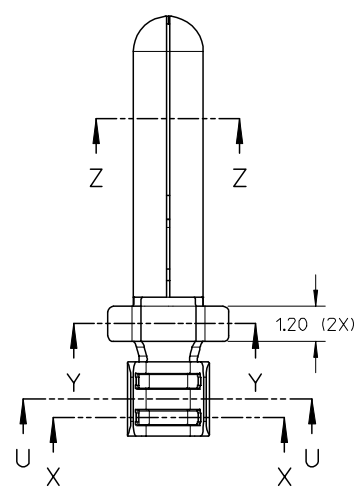
SECTION Y-Y
STRAIGHT WING TYPE



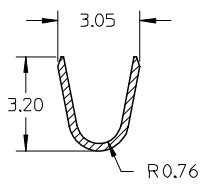
SECTION X-X



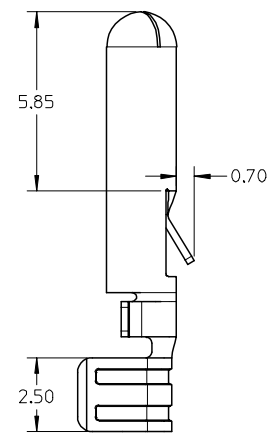
ISOMETRIC VIEW



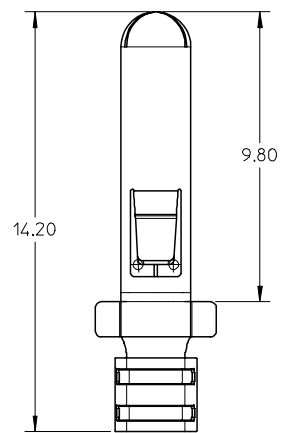
SECTION Z-Z



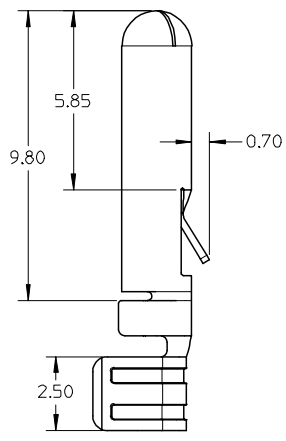
SECTION U-U



BEND WING TYPE



STRAIGHT WING TYPE



- NOTES:
- MATERIAL: COPPER ALLOY
PLATING SPEC.: 0.94µm MIN. TIN OVER 0.54µm MIN. NICKEL UNDERPLATE.
 - HOUSING TO BE USED WITH : SEE TABLE.
 - CRIMP SPECIFICATION : CS-78036-001.
 - PRODUCT SPECIFICATION : SEE TABLE.
 - PACKAGING INFORMATION : PAPER REEL.
 - THE FIGURE SHOWN IS FOR ILLUSTRATION PURPOSE.
IT IS APPLIED TO BOTH STRAIGHT AND BEND WING TYPE.
 - REFER TO TABLE FOR PART NUMBER.

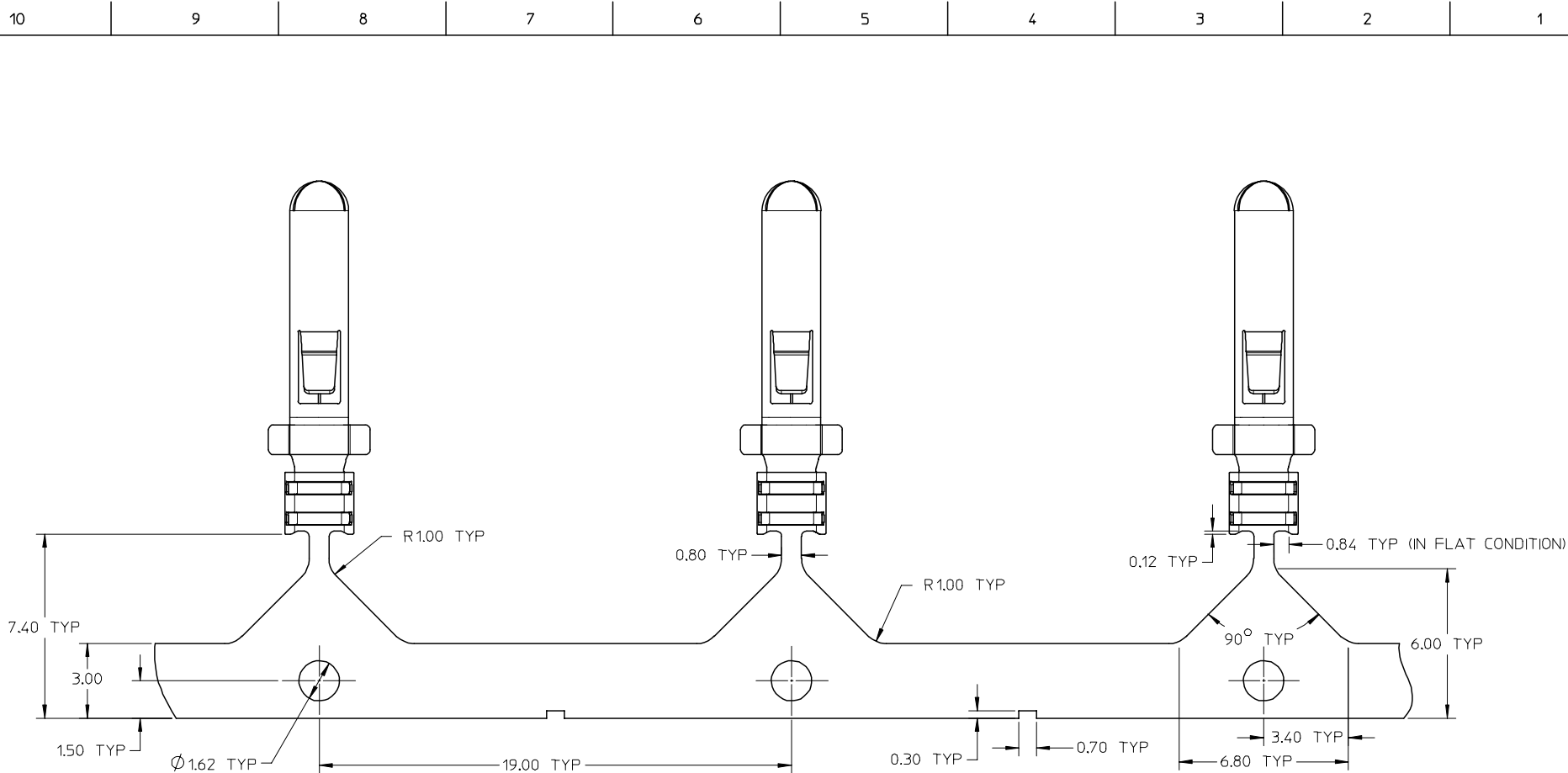
REVISED	DESCRIPTION
EC NO: S2007-1075	2007/08/22
DRWN: BOKOK	2007/08/24
CHKD: YOH	2007/08/24
APPR: KCLING	2007/08/24
A2	REV

QUALITY SYMBOLS	▽=0
	▽=0

GENERAL TOLERANCES (UNLESS SPECIFIED)	DIMENSION STYLE
	MM ONLY
4 PLACES ± --- ± ---	DRAWN BY DATE
3 PLACES ± --- ± ---	BOKOK 2007/02/26
2 PLACES ± 0.30 ± ---	CHECKED BY DATE
1 PLACE ± --- ± ---	CGOH 2007/03/01
ANGULAR ± 3 °	APPROVED BY DATE
	KCLING 2007/03/01
DRAFT WHERE APPLICABLE MUST REMAIN WITHIN DIMENSIONS	MATERIAL NO.
	SEE TABLE

SCALE	DESIGN UNITS	THIRD ANGLE PROJECTION
NTS	METRIC	
TITLE		
PROJECTOR LAMP CONNECTOR		
13MM PITCH, PLUG		
TERMINAL		
MOLEX INCORPORATED		
DOCUMENT NO.		SHEET NO.
SD-78037-005		1 OF 3

SIZE	THIS DRAWING CONTAINS INFORMATION THAT IS PROPRIETARY TO MOLEX INCORPORATED AND SHOULD NOT BE USED WITHOUT WRITTEN PERMISSION	
A3		



TERMINAL LAYOUT \triangle

REVISED EC NO: S2007-1075 DRWN: BOKOK CHKD: YOH APPR: KCLING	2007/08/22 2007/08/24 2007/08/24	QUALITY SYMBOLS $\nabla=0$ $\triangle=0$	GENERAL TOLERANCES (UNLESS SPECIFIED)		DIMENSION STYLE MM ONLY		SCALE NTS	DESIGN UNITS METRIC	\triangle THIRD ANGLE PROJECTION		
	DESCRIPTION REV		4 PLACES \pm --- \pm --- 3 PLACES \pm --- \pm --- 2 PLACES ± 0.30 \pm --- 1 PLACE \pm --- \pm --- ANGULAR $\pm 3^\circ$	mm INCH	DRAWN BY BOKOK CHECKED BY CGOH APPROVED BY KCLING	DATE 2007/02/26 DATE 2007/03/01 DATE 2007/03/01	TITLE PROJECTOR LAMP CONNECTOR 13MM PITCH, PLUG TERMINAL	MOLEX INCORPORATED			
	DRAFT WHERE APPLICABLE MUST REMAIN WITHIN DIMENSIONS		SEE TABLE		MATERIAL NO.	DOCUMENT NO. SD-78037-005	SHEET NO. 2 OF 3				
	SIZE A3		THIS DRAWING CONTAINS INFORMATION THAT IS PROPRIETARY TO MOLEX INCORPORATED AND SHOULD NOT BE USED WITHOUT WRITTEN PERMISSION								

10 9 8 7 6 5 4 3 2 1

F

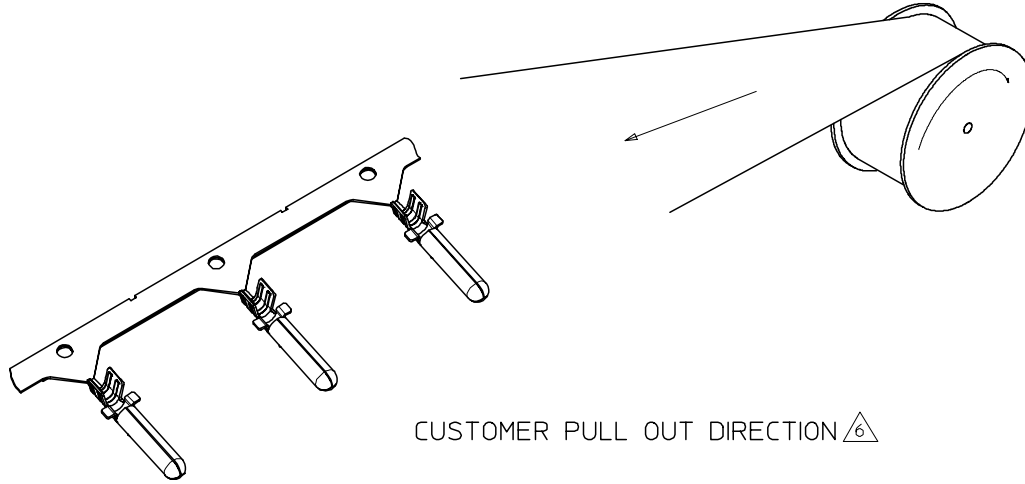
E

D

C

B

A



CUSTOMER PULL OUT DIRECTION $\triangle 6$

REVISED EC NO: S2007-1075 DRWN: BOKOK CHKD: YKH APPR: KCLING	2007/08/22 2007/08/24 2007/08/24	DESCRIPTION REV	QUALITY SYMBOLS $\blacktriangledown = 0$ $\triangle = 0$	GENERAL TOLERANCES (UNLESS SPECIFIED)		DIMENSION STYLE MM ONLY		SCALE NTS	DESIGN UNITS METRIC	$\text{THIRD ANGLE PROJECTION}$	
				4 PLACES \pm --- \pm --- 3 PLACES \pm --- \pm --- 2 PLACES ± 0.30 \pm --- 1 PLACE \pm --- \pm ---	mm INCH	DRAWN BY BOKOK	DATE 2007/02/26	TITLE PROJECTOR LAMP CONNECTOR 13MM PITCH, PLUG TERMINAL			
				ANGULAR $\pm 3^\circ$	CHECKED BY CGOH	DATE 2007/03/01	MOLEX INCORPORATED				
			DRAFT WHERE APPLICABLE MUST REMAIN WITHIN DIMENSIONS	APPROVED BY KCLING	DATE 2007/03/01	MATERIAL NO. SEE TABLE	DOCUMENT NO. SD-78037-005	SHEET NO. 3 OF 3			

9 8 7 6 5 4 3 2 1