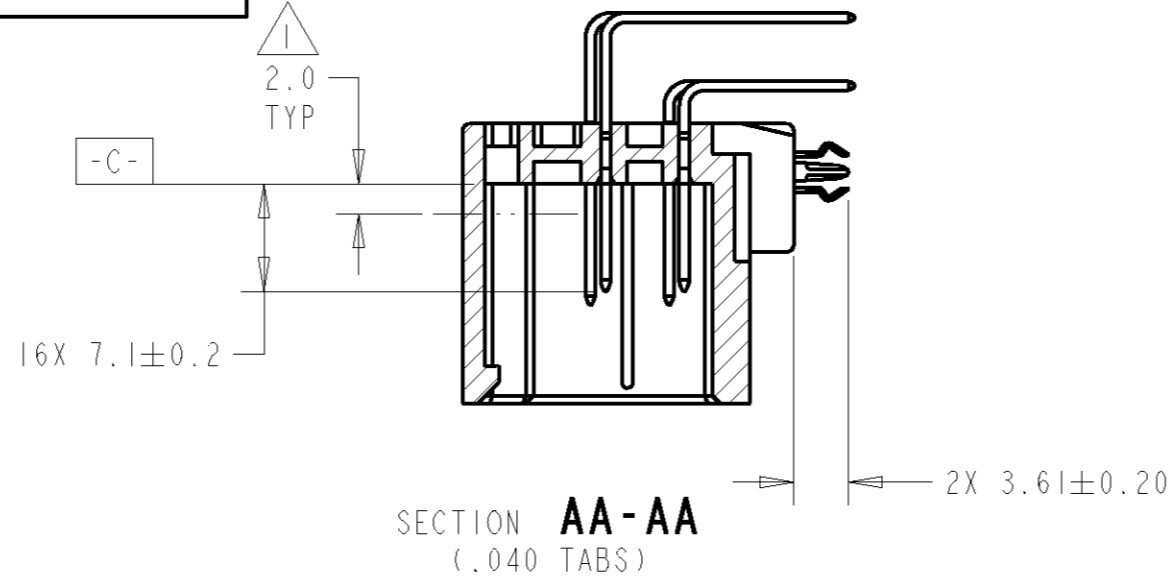
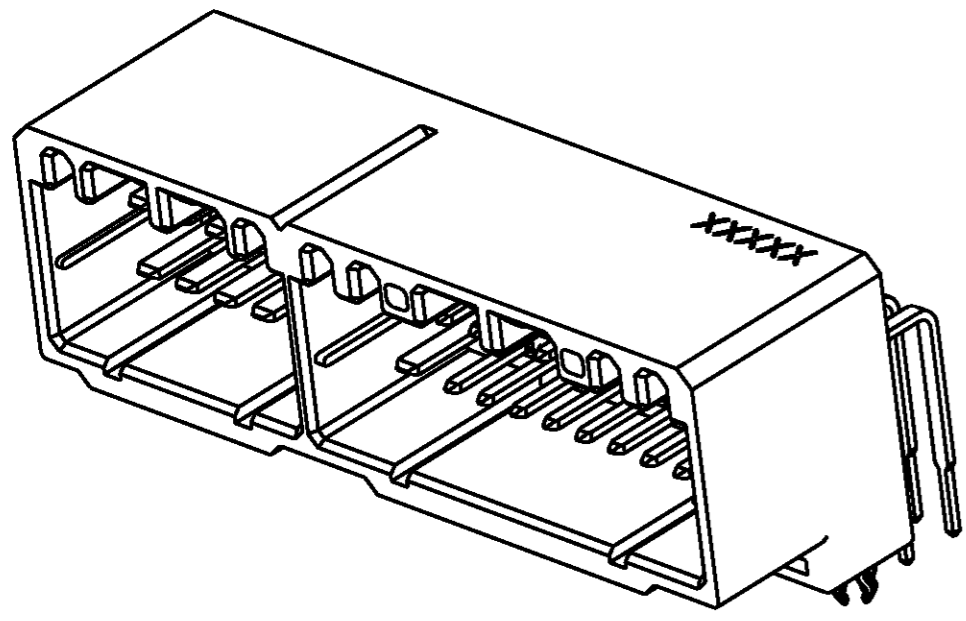
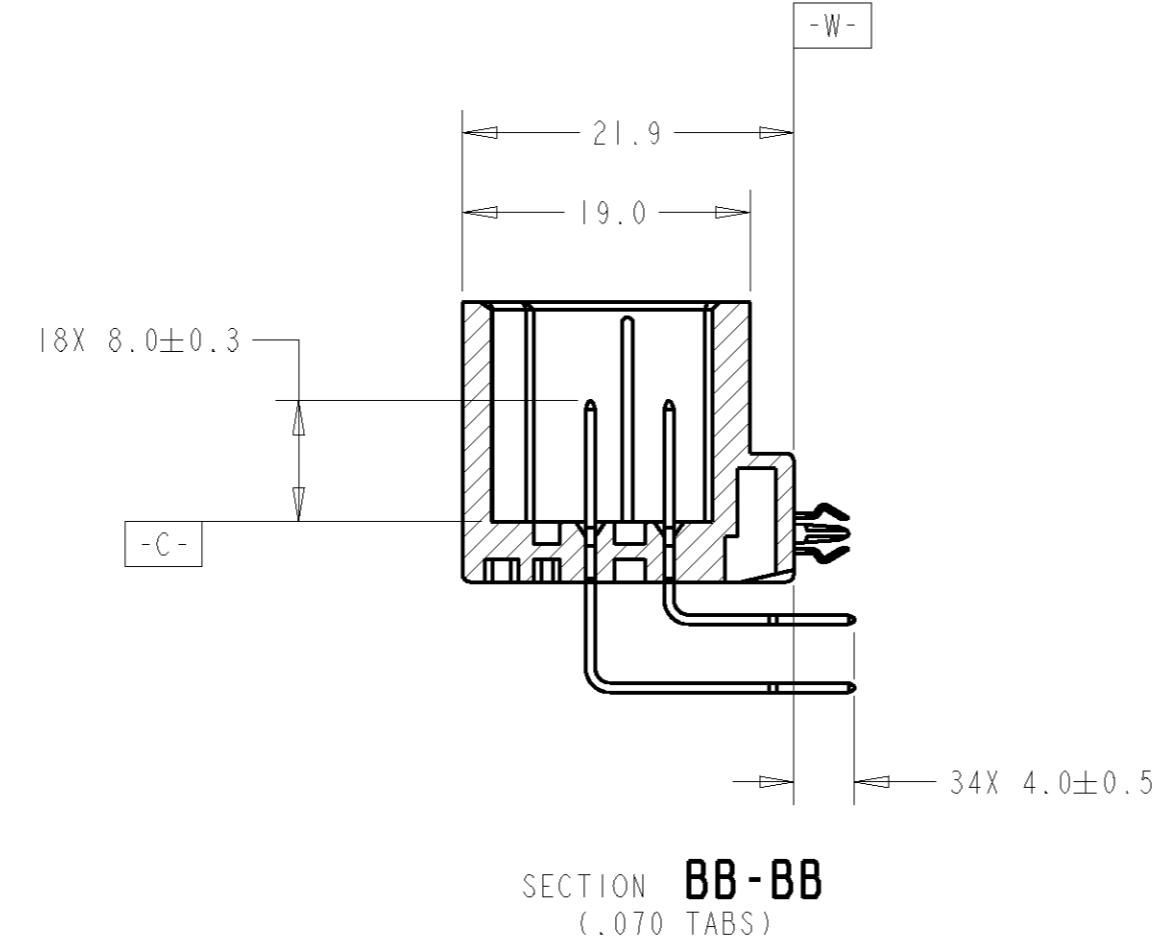
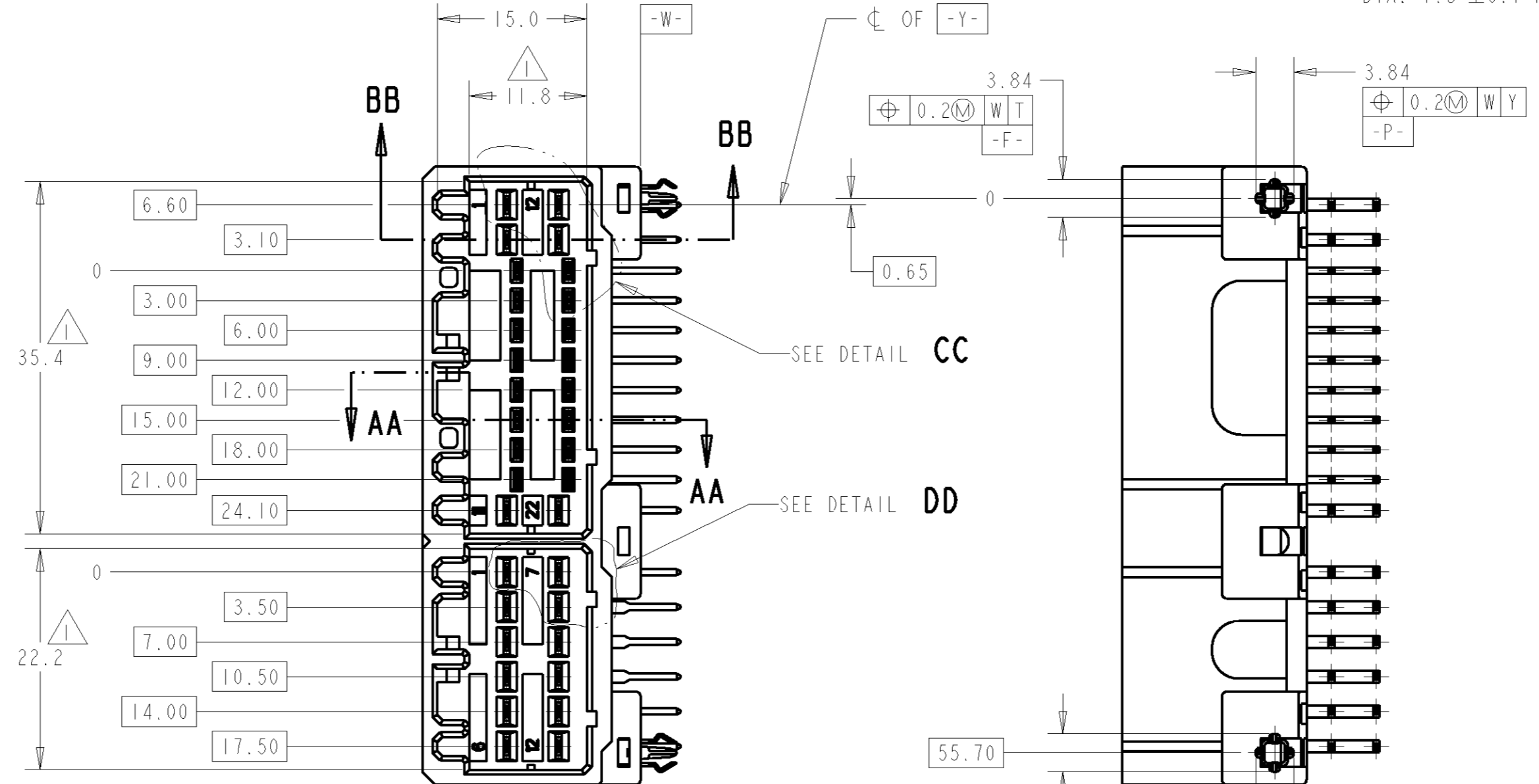
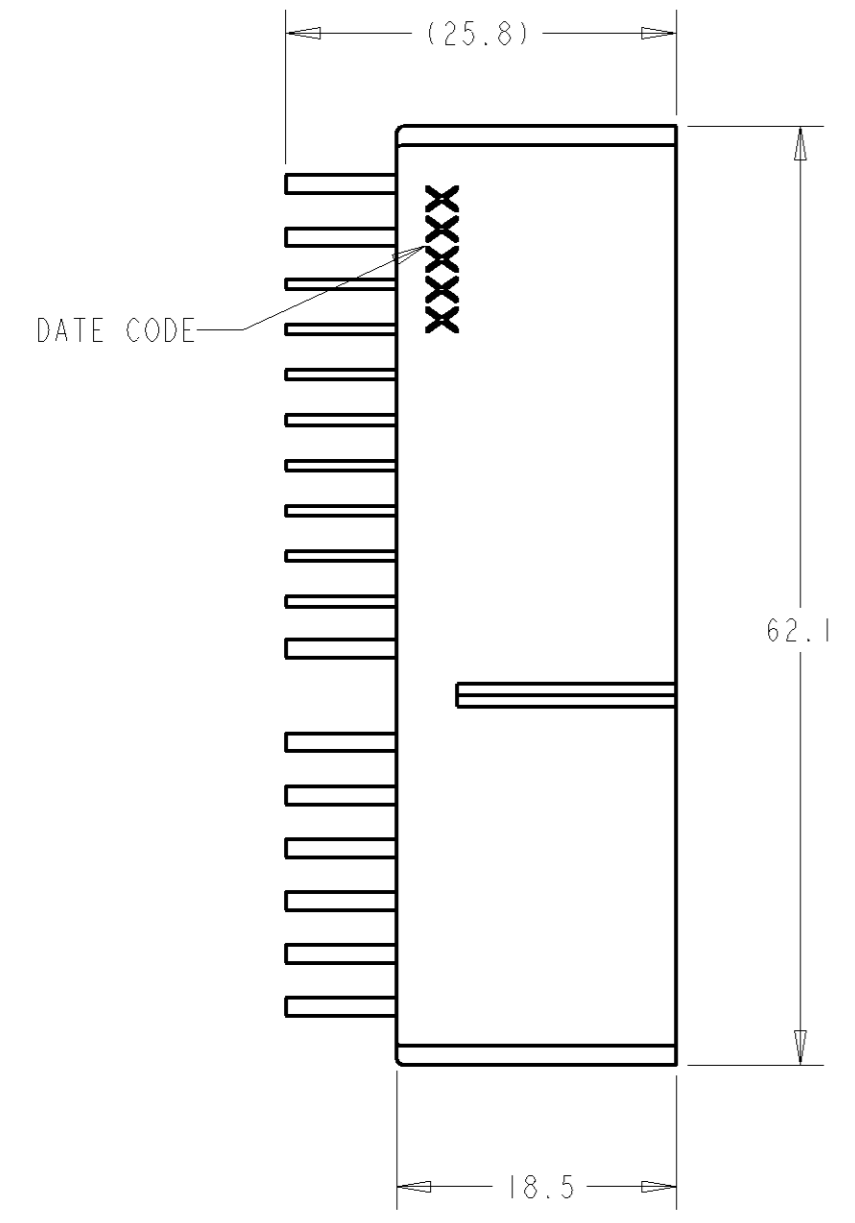


THIS DRAWING IS UNPUBLISHED. RELEASED FOR PUBLICATION 20
 © COPYRIGHT 20 BY TYCO ELECTRONICS CORPORATION. ALL RIGHTS RESERVED.

LOC	DIST	REVISIONS			
P	LTR	DESCRIPTION	DATE	DWN	APVD
	00				
	Q	PRELIM RLSD PER EC 0K80-0413-04	24NOV2004	RGV	RMC
	A	REVISED PER EC 0K80-0021-05	04FEB2005	RDW	RMC
	AI	RELEASED PER ECR 05-000198	20MAY2005	DLD	RMC



- 1 DIMENSION MUST BE HELD BETWEEN [-C-] AND 2mm FROM [-C-]
- 2 DATUMS AND BASIC DIMENSIONS ESTABLISHED BY CUSTOMER.
- 3. THE MATING PLUG PART NUMBERS ARE 917978 AND 917989.
- 4 JAPAN PART NUMBER 175444-6 CUSTOMER DRAWING RECOMMENDS DIA. 1.1 ±0.1 HOLES. USA RECOMMENDS HOLE DIA. 1.3 ±0.1 FOR ROBOTIC PLACEMENT.

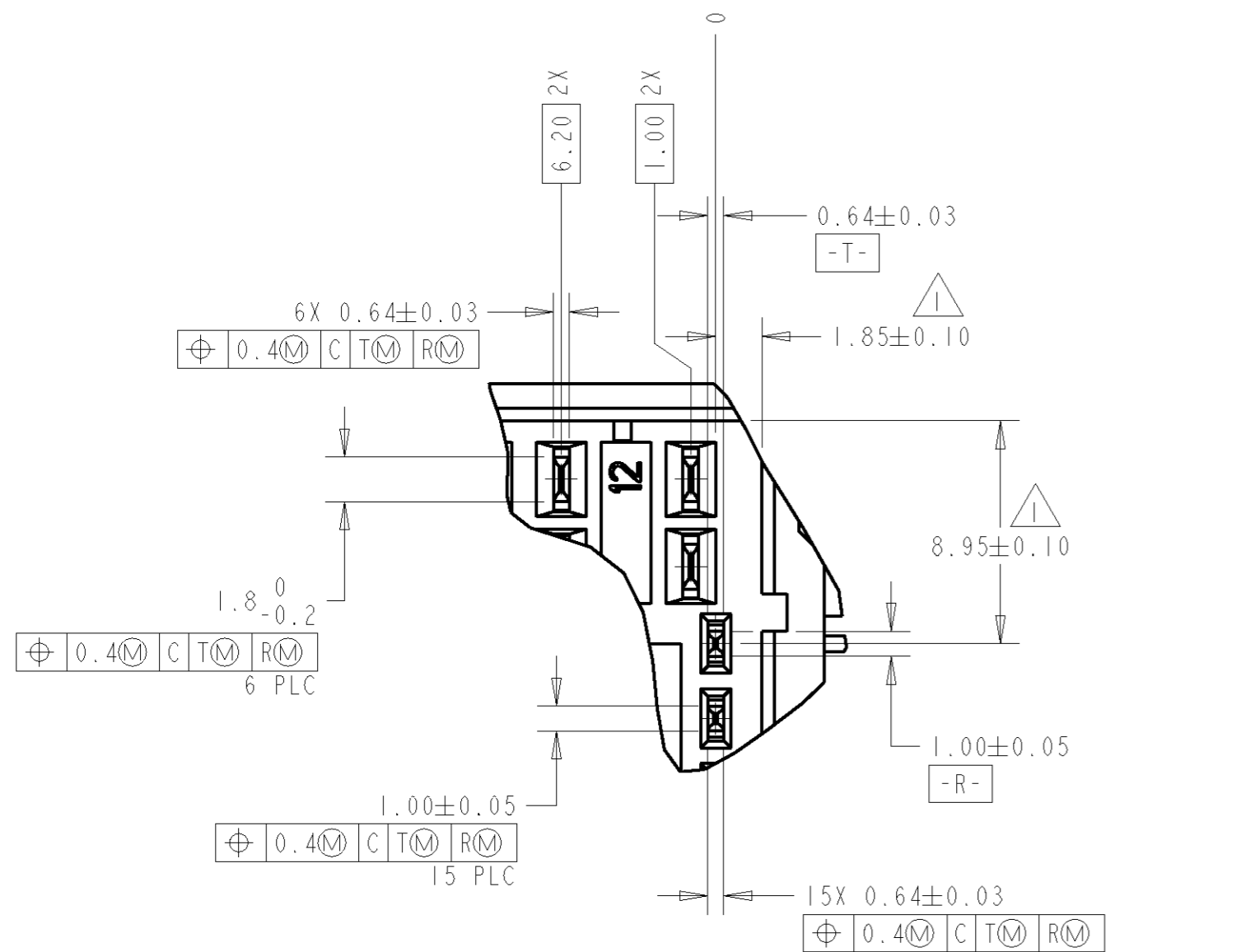


BRASS	PRE-TIN	BRASS	PRE-TIN	PBT	NATURAL	9-1438845-1
MATERIAL	FINISH	MATERIAL	FINISH	MATERIAL	COLOR	PART NO
BOARDLOCK			CONTACT		HOUSING	

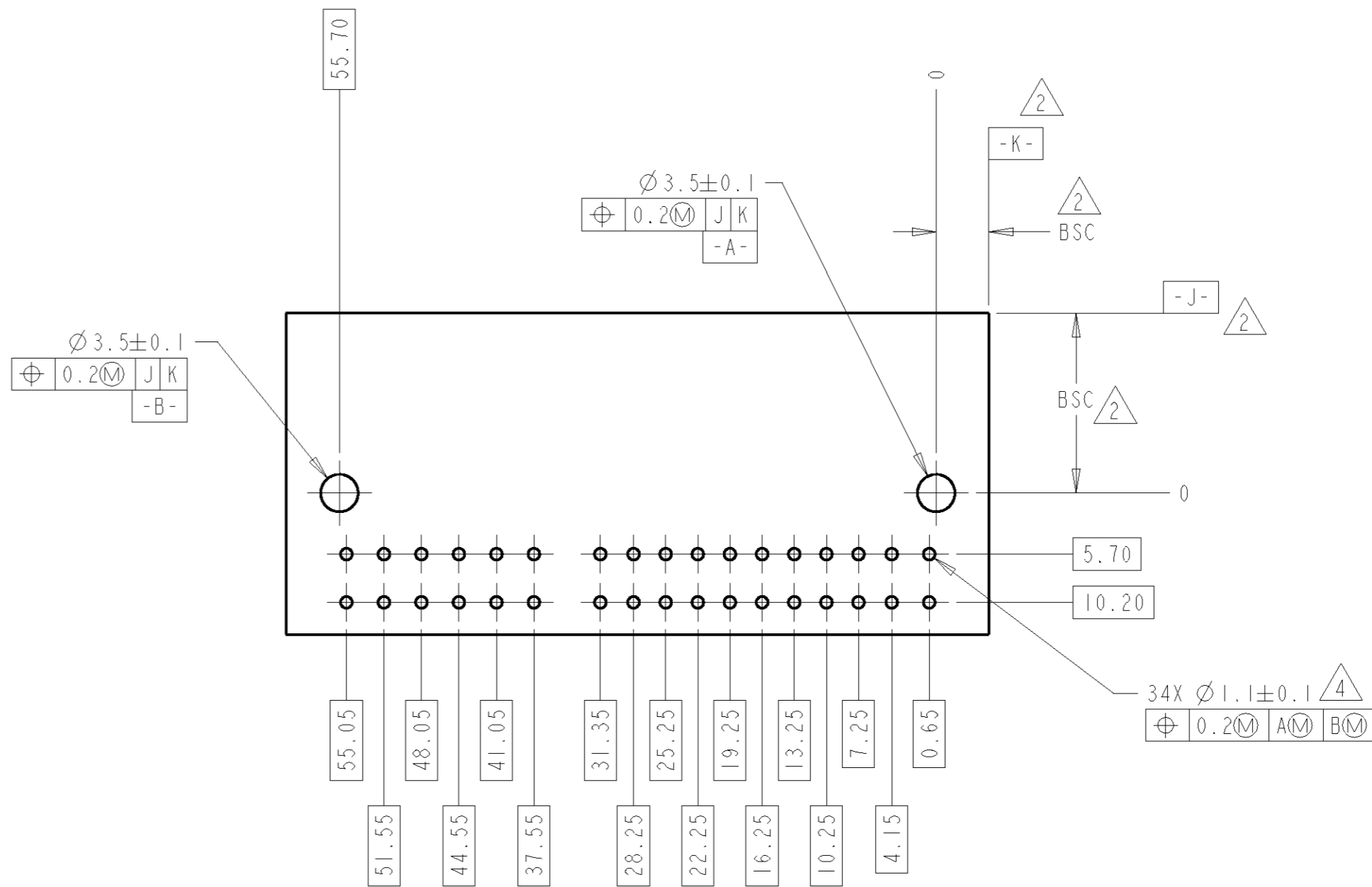
<small>THIS DRAWING IS A CONTROLLED DOCUMENT FOR TYCO ELECTRONICS CORPORATION. IT IS SUBJECT TO CHANGE AND THE CONTROLLING ENGINEERING ORGANIZATION SHOULD BE CONTACTED FOR THE LATEST REVISION.</small>		DWN R VESTAL 24NOV2004 CHK R COOPER 24NOV2004 APVD R COOPER 24NOV2004	tyco Tyco Electronics Harrisburg, PA 17105-3608
DIMENSIONS: mm 		TOLERANCES UNLESS OTHERWISE SPECIFIED: 0 PLC ± 1 PLC ±0.3 2 PLC ±0.15 3 PLC ± 4 PLC ± ANGLES ±°	NAME CAP ASSEMBLY, 34 POSN, 040/070 HYBRID, HORIZONTAL MULTILOCK, WITH BOARDLOCKS SIZE A2 CAGE CODE 00779 DRAWING NO G-1438845 RESTRICTED TO WEIGHT - APPLICATION SPEC - PRODUCT SPEC -
MATERIAL SEE TABLE		CUSTOMER DRAWING	
SCALE 2:1		SHEET 1 OF 2 REV AI	

THIS DRAWING IS UNPUBLISHED. RELEASED FOR PUBLICATION 20
 © COPYRIGHT 20 BY TYCO ELECTRONICS CORPORATION. ALL RIGHTS RESERVED.

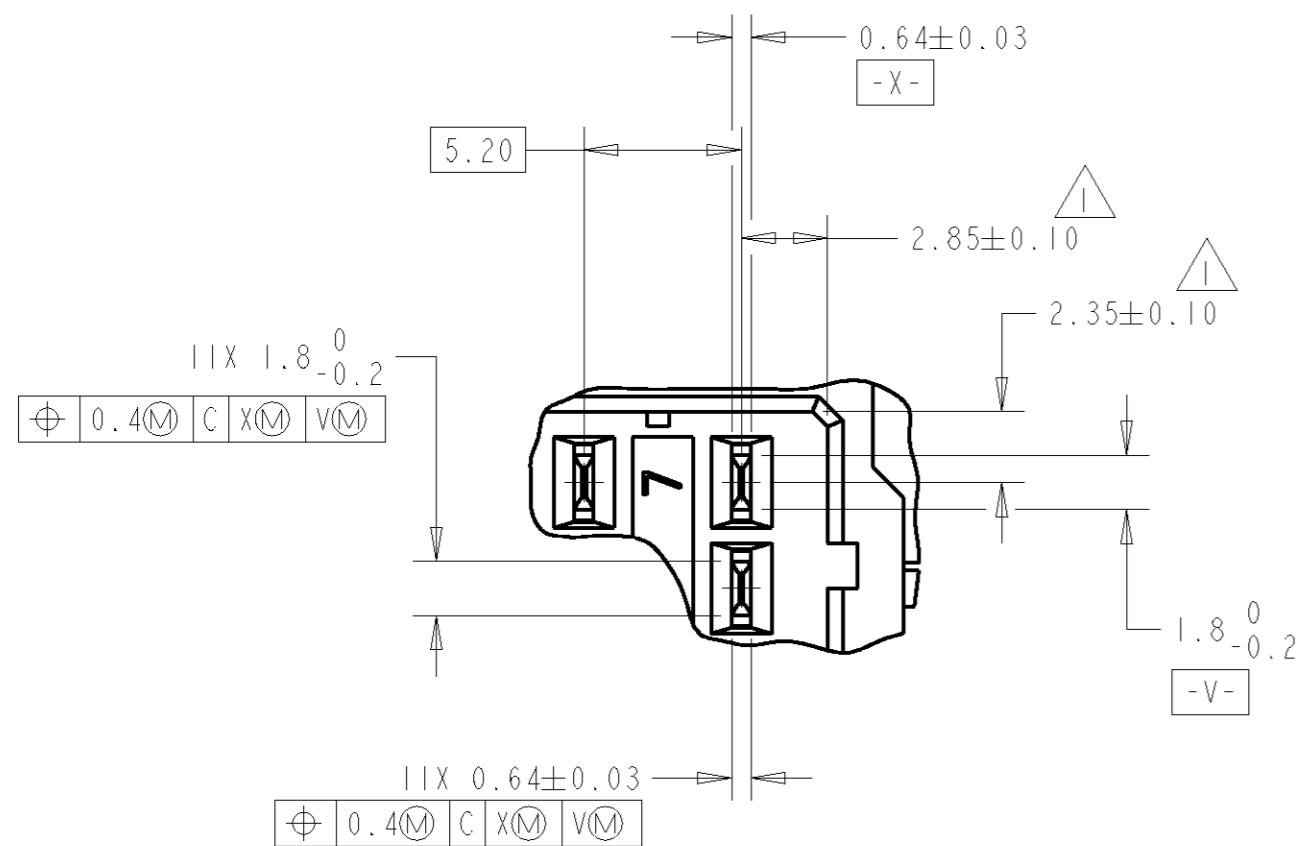
LOC	DIST	REVISIONS			
P	LTR	DESCRIPTION	DATE	DWN	APVD
FX	00	SEE SHEET 1	-	-	-



DETAIL CC
SCALE 4:1



PC BOARD LAYOUT (SOLDER SIDE)
(RECOMMENDED BOARD THICKNESS 1.57mm)



DETAIL DD
SCALE 4:1

THIS DRAWING IS A CONTROLLED DOCUMENT FOR TYCO ELECTRONICS CORPORATION IT IS SUBJECT TO CHANGE AND THE CONTROLLING ENGINEERING ORGANIZATION SHOULD BE CONTACTED FOR THE LATEST REVISION.		DWN R VESTAL 24NOV2004	Tyco Electronics Harrisburg, PA 17105-3608	
DIMENSIONS: mm		CHK R COOPER 24NOV2004	NAME CAP ASSEMBLY, 34 POSN, 040/070 HYBRID, HORIZONTAL MULTILOCK, WITH BOARDLOCKS	
TOLERANCES UNLESS OTHERWISE SPECIFIED: 0 PLC ± 1 PLC ±0.3 2 PLC ±0.15 3 PLC ± 4 PLC ± ANGLES ±°		APVD R COOPER 24NOV2004	SIZE A2	
MATERIAL		PRODUCT SPEC -	CAGE CODE 00779	DRAWING NO 1438845
FINISH		APPLICATION SPEC -	RESTRICTED TO -	REV A1
-		WEIGHT -	SCALE 2:1 SHEET 2 OF 2	
-		CUSTOMER DRAWING		