

Type APS-I Automotive Blade Fuse Low Profile Miniature-LED Indicating



www.optifuse.com (619) 593-5050

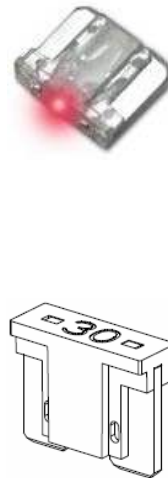
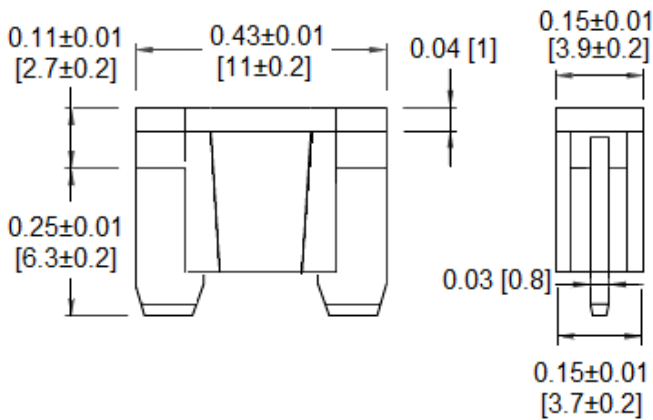
Specifications:

- Voltage: 32V DC
- Amperage: 2A, 3A, 4A, 5A, 7.5A, 10A, 15A, 20A, 25A, 30A
- Body: Polycarbonate
- Terminals: Zinc Alloy
- Standards: According to JASO Standard Specifications

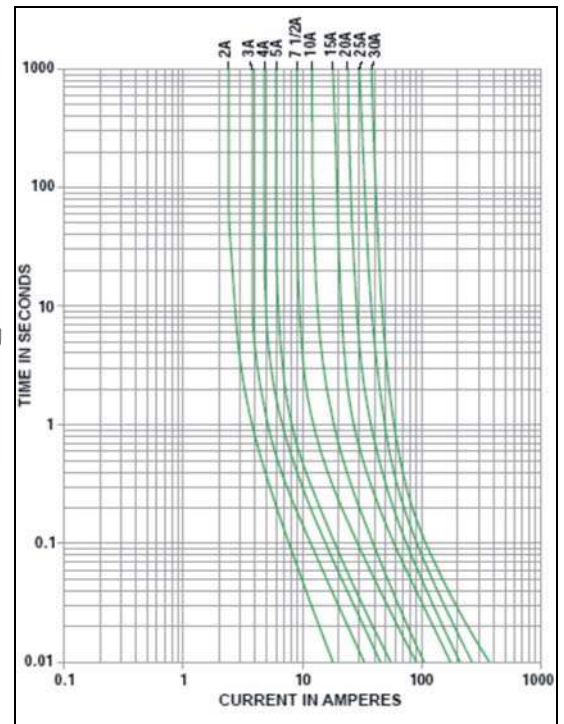
Part Number	Amperage	Body Color
APS-I-2A	2A	Gray
APS-I-3A	3A	Violet
APS-I-4A	4A	Pink
APS-I-5A	5A	Tan
APS-I-7.5A	7.5A	Brown
APS-I-10A	10A	Red
APS-I-15A	15A	Blue
APS-I-20A	20A	Yellow
APS-I-25A	25A	Clear
APS-I-30A	30A	Green

Time Characteristics:		
% of Rated Current	Min Hold Time	Max Hold Time
110%	100h	
135%	750ms	1800s
200%	150ms	5s
350%	80ms	500ms

Mechanical Dimensions: Inches [mm]



Time Current Curve



Warning:



-Operation beyond the specified maximum ratings or improper use may result in damage and possible electrical arcing and/or flame.

-Avoid contact of device with chemical solvent. Prolonged contact will damage the device performance.