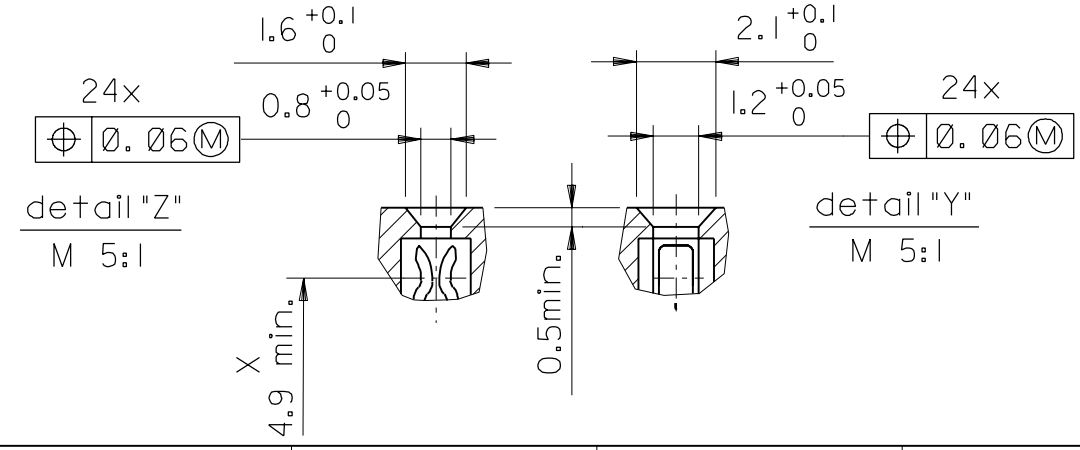


l) tails to fit in PC-board layout  
PCB layout see SDA-85054-0001 sheet 2



FIRST ANGLE PROJECTION		REVISE ONLY ON CAD SYSTEM		SH.	REV.
UNLESS OTHERWISE SPECIFIED TOLERANCES: ANGULAR $\pm 2^\circ$	DRWG BY	CADCAM PROJECT NAME	THIS DRAWING CONTAINS INFORMATION THAT IS PROPRIETARY TO MOLEX INC. & SHOULD NOT BE USED WITHOUT WRITTEN PERMISSION		
INCH	KN	85056000			
METRIC	CHK'D BY	s41			
3 PLACE $\pm$	Ca	TITLE	24 pol. Federleiste		
2 PLACE $\pm$	APP'D BY	24 pos. female connector			
1 PLACE $\pm$	JB	DIN 41612, style M inverted			
DRAFT WHERE APPLICABLE MUST REMAIN WITHIN DIMENSIONS	SCALE	MOLEX MOLEX EUROPE		SHEET NO.	DATE
DESIGN DIMENSION <input checked="" type="checkbox"/> MM	2:1			1 OF 1	97/04/23
EQUIVALENT DIMENSION <input type="checkbox"/> MM		PART NO.	DWG NO.		
<input type="checkbox"/> IN.		SD-85056-0004			
IF TWO DIMENSIONS ARE SHOWN THE UPPER IS THE DESIGN DIMENSION, LOWER IS SECONDARY				SIZE	B

