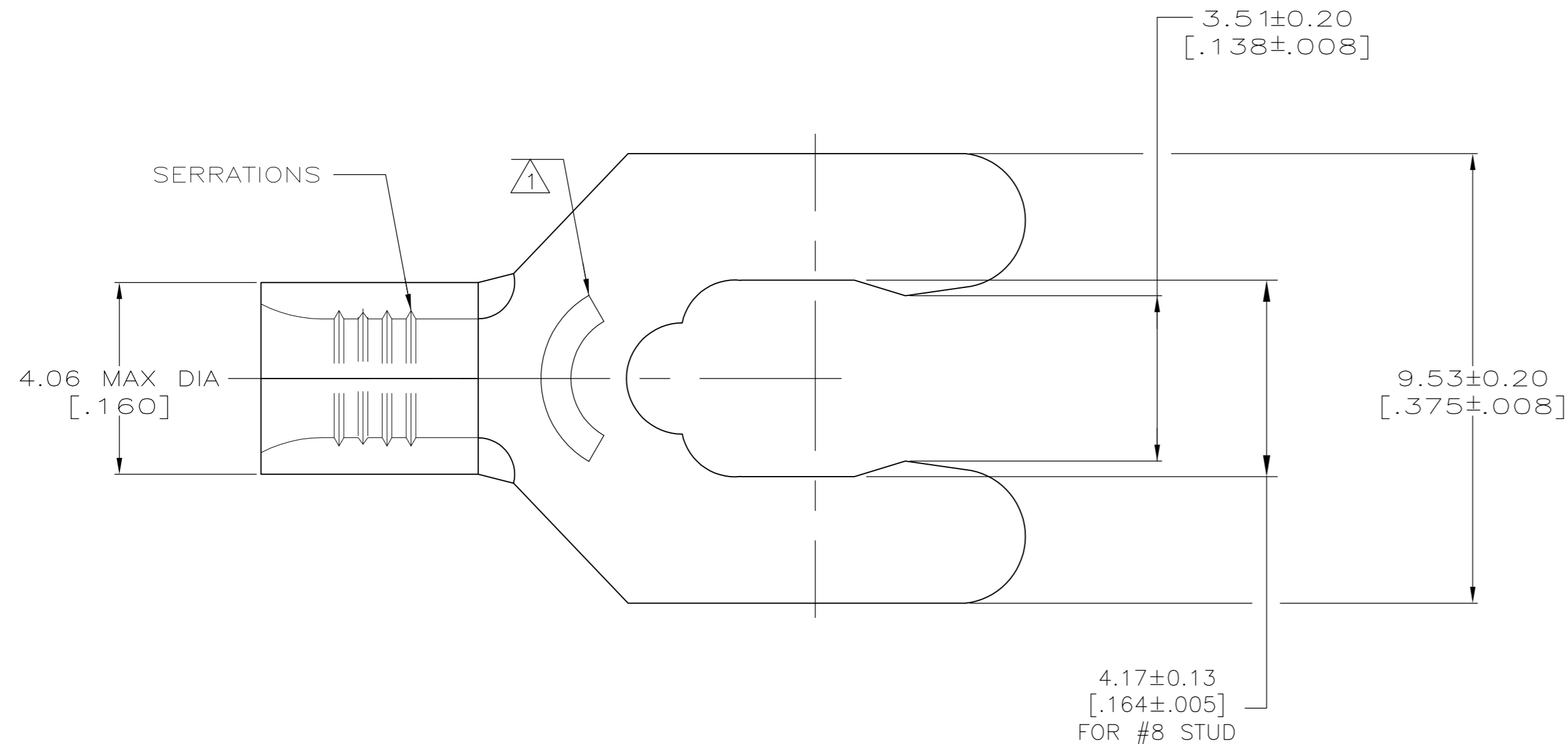


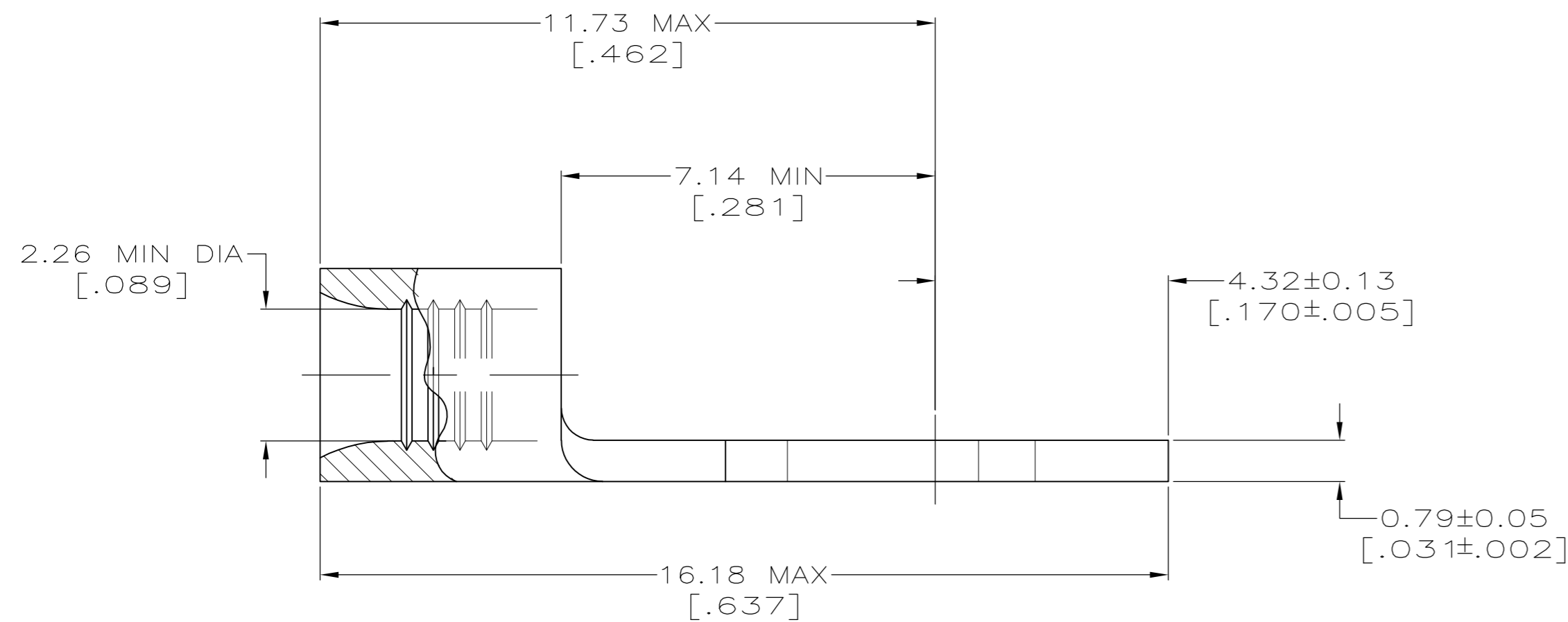
THIS DRAWING IS UNPUBLISHED. RELEASED FOR PUBLICATION
 © COPYRIGHT BY TYCO ELECTRONICS CORPORATION. ALL INTERNATIONAL RIGHTS RESERVED.

LOC	DIST	REVISIONS					
		P	LTR	DESCRIPTION	DATE	DWN	APVD
G	14			B1 REDRAWN PER ECR 10-006147	23MAR10	JR	TM



AMP WIRE RANGE	Listed FILE E13288	LR7189 Certified
16-14 AWG STRANDED	16-14 AWG STRANDED	NOT CERTIFIED

- 1 STAMP 8S AMP 16-14* APPROX AS SHOWN
8S INDICATES STUD SIZE
- 2 PHOS BRONZE PER ASTM B103, ANNEALED
- 3 TIN PLATE 0.00254 [.000100] MIN THK PER
ASTM B545



53011-1
 PART NO.

CUSTOMER SERVICE SYSTEMS		MAX RECOMMENDED OPERATING TEMPERATURE: 170°C MAX		THIS DRAWING IS A CONTROLLED DOCUMENT.		DWN TA BRINKMAN 2-12-93		Tyco Electronics Corporation Harrisburg, PA 17105-3608	
FOR ADDITIONAL PRODUCT INFORMATION OR COPIES OF DRAWINGS AND TECHNICAL DOCUMENTS		PRODUCT INFORMATION CENTER 1-800-522-6752		DIMENSIONS: MM [INCHES]		CHK DA PATTERSON 2-12-93		NAME	
FOR APPLICATION		TOOLING ASSISTANCE CENTER		TOLERANCES UNLESS OTHERWISE SPECIFIED:		APVD JL MECKLEY 2-12-93		TERMINAL, SHORT SPRING SPADE, BUDGET 16-14	
TOOLING INFORMATION		1-800-722-1111		VOLTAGE RATING: N/A		PRODUCT SPEC		SIZE CAGE CODE DRAWING NO	
FOR ORDER ENTRY		1-800-526-5142		CIRCULAR MIL AREA: 1.04-2.62mm² [2,050-5,180] STRANDED		APPLICATION SPEC		RESTRICTED TO	
THIS DRAWING IS A CONTROLLED DOCUMENT FOR AMP INCORPORATED. IT IS SUBJECT TO CHANGE AND THE CONTROLLING ENGINEERING ORGANIZATION SHOULD BE CONTACTED FOR THE LATEST REVISION.				MATERIAL		FINISH		WEIGHT	
				- 2		- 3		A2 00779 C=53011	
CUSTOMER DRAWING								SCALE 10:1 SHEET 1 of 1 REV B1	