

6

5

4

3

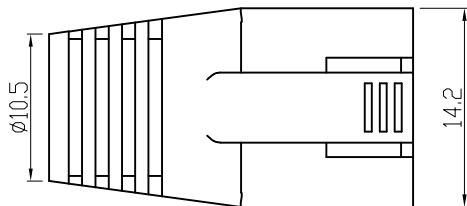
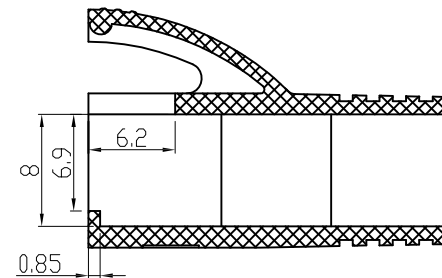
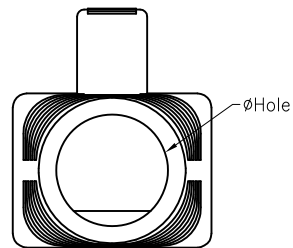
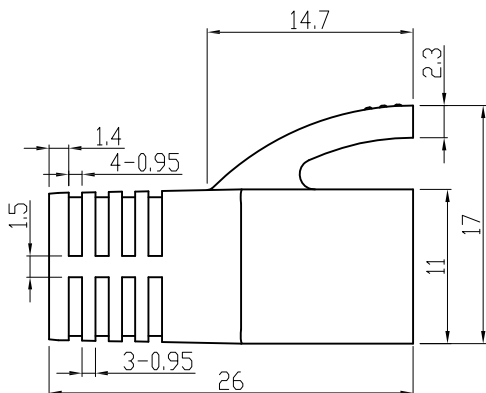
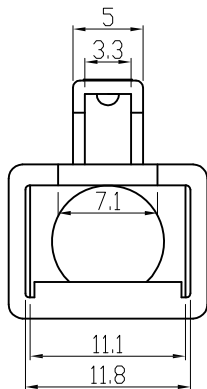
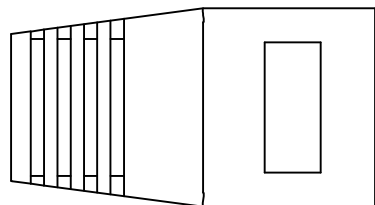
2

1

APPROVED: _____

DATE: _____ TITLE: _____

Rev	AWO #	Description	Date	Appr
-		RELEASED	9/25/20	



ADAM P/N	MATERIAL	ØHOLE
MTP-88-C8-SR-A1	PVC Black	Ø8.0mm
MTP-88-C8-SR-A2	PVC Black	Ø6.5mm
MTP-88-C8-SR-A3	PVC Blue	Ø6.5mm

UNLESS OTHERWISE SPECIFIED
ALL DIMENSIONS ARE MILLIMETERS
TOLERANCES: EXCEPT AS NOTED

MM	ANGLE
0~15 ± 0.15	± 1°
15~30 ± 0.20	
30~ ± 0.25	

APPROVALS		DATE
DRAWN	LH	9/25/20
CHECKED	AY1	9/25/20
APPROVED		

ADAM TECH
INTERCONNECTS

909 Rahway Avenue,
Union, NJ 07083
Phone: 908-687-5000
Fax: 908-687-5710

TITLE		
MODULAR TELEPHONE PLUG, 8P CATE 8, STRAIN RELIEF		
SIZE	PART NO.	REV.
X	MTP-88-C8-SR-AX	-
REF: S00005C	SCALE: NTS	SHEET 1 OF 1

SPECIFICATIONS:
Material:
Insulator: PVC, Color: See Chart
Environmental:
Lead free, RoHS compliant



6

5

4

3

2

1