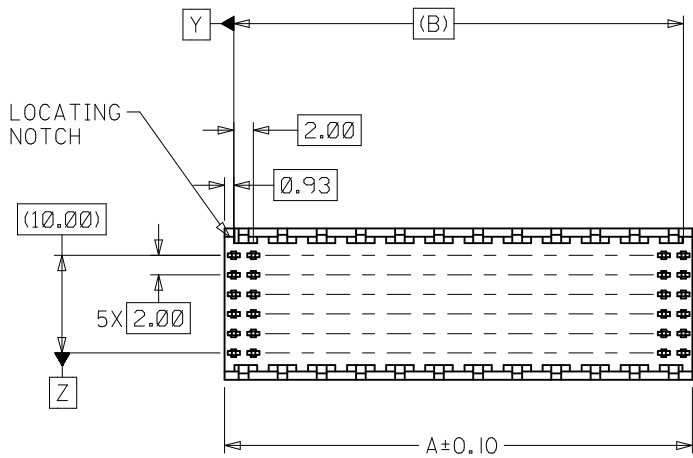
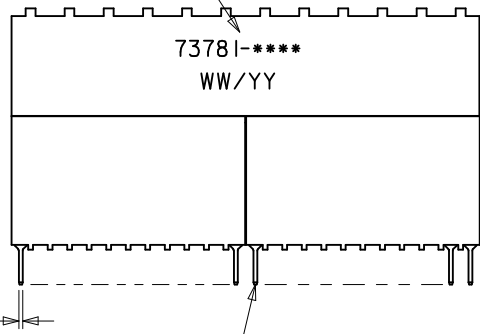


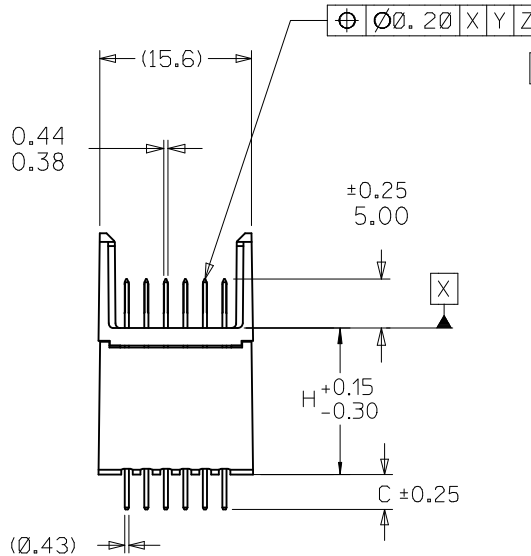
- NOTES:
1. MATERIALS: HOUSING-LIQUID CRYSTAL POLYMER (LCP), GLASS-FILLED, UL94V-0, COLOR: BLACK. TERMINAL-PHOSPHOR BRONZE
  2. FINISH:  
0.75 MICROMETERS MINIMUM SELECTIVE GOLD (Au) IN MATING AREA  
2.50 MICROMETERS MINIMUM SELECTIVE TIN (Sn) IN TAIL AREA  
NICKEL (Ni) UNDERPLATE OVERALL.
  3. THIS PART CONFORMS TO MOLEX PRODUCT SPECIFICATION PS-73780-999.
  4. THIS PART CONFORMS TO MOLEX COSMETIC SPECIFICATION PS-45499-002 CLASS C.
  5. PACKAGE PER PK-70873-0870, PK-70873-0871 OR PK-70873-0875.
  6. PARTS MARKED WITH PART NUMBER AND DATE CODE APPROXIMATELY WHERE SHOWN.



SEE NOTE 6



0.44  
0.38

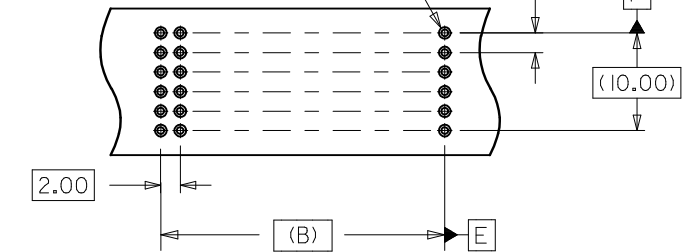


⊕ ∅0.15 (M) E F

∅ 0.838 DRILL

∅ 0.80  
∅ 0.65 PLATED THRU HOLE

∅ 1.20 COPPER PAD



BACKPLANE HOLE PATTERN

⊕ ∅0.15 (M) X Y Z

|   |  |  |   |                    |                              |                            |
|---|--|--|---|--------------------|------------------------------|----------------------------|
| REVISE H DIM TOL<br>EC NO: UCP2008-3186<br>DRAWN: SPANNELLY 2008/07/29<br>CHKD: MSIBARRA 2008/09/11<br>APPR: SMILLER 2008/09/16 | QUALITY SYMBOLS  | GENERAL TOLERANCES (UNLESS SPECIFIED)  | DIMENSION STYLE   | SCALE              | DESIGN UNITS                 | THIRD ANGLE PROJECTION     |
|   | ▼=0<br>▽=0   | mm INCH<br>4 PLACES ± --- ± ---<br>3 PLACES ± --- ± ---<br>2 PLACES ± 0.05 ± ---<br>1 PLACE ± 0.10 ± ---<br>ANGULAR ± 1/2° | MM ONLY   | 2:1                | METRIC                       | ⊕ ▽ THIRD ANGLE PROJECTION |
|   | DRAWN BY<br>CHECKED BY<br>APPROVED BY                      | DATE<br>DATE<br>DATE   | TITLE<br>HDM BACKPLANE STACKING<br>MODULE, OPEN END SOLDER<br>SALES ASSEMBLY  | MOLEX INCORPORATED | DOCUMENT NO.<br>SD-73781-001 | SHEET NO.<br>1 OF 2        |
|   | DRAFT WHERE APPLICABLE<br>MUST REMAIN<br>WITHIN DIMENSIONS | SEE TABLE  | THIS DRAWING CONTAINS INFORMATION THAT IS PROPRIETARY TO MOLEX INCORPORATED AND SHOULD NOT BE USED WITHOUT WRITTEN PERMISSION |                    |                              |                            |

MATERIAL NUMBER ASSIGNMENT

73781-\* \* 0 0

| NUMBER | CIRCUIT SIZE | DIM "A" | DIM "B" | DIM "C" |
|--------|--------------|---------|---------|---------|
| 0      | 72           | 23.84   | 22.00   | 2.0     |
| 1      | 144          | 47.84   | 46.00   | 2.0     |
| 2      | 72           | 23.84   | 22.00   | 2.5     |
| 3      | 144          | 47.84   | 46.00   | 2.5     |
| 4      | 72           | 23.84   | 22.00   | 3.0     |
| 5      | 144          | 47.84   | 46.00   | 3.0     |
| 6      | 72           | 23.84   | 22.00   | 3.5     |
| 7      | 144          | 47.84   | 46.00   | 3.5     |

| NUMBER | DIM "H" |
|--------|---------|
| 1      | 15.05   |
| 2      | 6.05    |
| 3      | 10.05   |

|   |                 |   |                      |                            |            |   |                        |                        |  |
|---|-----------------|---|----------------------|----------------------------|------------|---|------------------------|------------------------|--|
| REVISE H DIM TOL<br>EC NO: UCP2008-3186<br>DRWN: SPANNELLY 2008/07/29<br>CHK: MSIBARRA 2008/09/11<br>APPR: SMILLER 2008/09/16 | QUALITY SYMBOLS | GENERAL TOLERANCES (UNLESS SPECIFIED)                   |                      | DIMENSION STYLE<br>MM ONLY |            | SCALE<br>1:1  | DESIGN UNITS<br>METRIC | THIRD ANGLE PROJECTION |  |
|   | ▽=0             | mm  | INCH                 | DRAWN BY                   | DATE       | TITLE<br>HDM BACKPLANE STACKING<br>MODULE, OPEN END SOLDER<br>SALES ASSEMBLY  |                        |                        |  |
|   | ▽=0             | 4 PLACES ± --- ± ---                                    | 3 PLACES ± --- ± --- | JB INGHAM                  | 1997/04/25 |   |                        |                        |  |
|   | DESCRIPTION     | 2 PLACES ± 0.05 ± ---                                   | 1 PLACE ± 0.10 ± --- | CHECKED BY                 | DATE       | MOLEX INCORPORATED  |                        |                        |  |
| REV   | ANGULAR ± 1/2°  |   | SREED                | 1997/04/25                 |            |   |                        |                        |  |
|   |                 | DRAFT WHERE APPLICABLE<br>MUST REMAIN WITHIN DIMENSIONS |                      | APPROVED BY                | DATE       | DOCUMENT NO.  |                        | SHEET NO.              |  |
|   |                 |   |                      | CB IXLER                   | 1997/04/25 | SD-73781-001  |                        | 2 OF 2                 |  |
|   |                 |   |                      | MATERIAL NO. SEE TABLE     |            | THIS DRAWING CONTAINS INFORMATION THAT IS PROPRIETARY TO MOLEX INCORPORATED AND SHOULD NOT BE USED WITHOUT WRITTEN PERMISSION |                        |                        |  |

## MATERIAL NUMBER ASSIGNMENT

73781-\* \* 0 0

| NUMBER | CIRCUIT SIZE | DIM "A" | DIM "B" | DIM "C" |
|--------|--------------|---------|---------|---------|
| 0      | 72           | 23.84   | 22.00   | 2.0     |
| 1      | 144          | 47.84   | 46.00   | 2.0     |
| 2      | 72           | 23.84   | 22.00   | 2.5     |
| 3      | 144          | 47.84   | 46.00   | 2.5     |
| 4      | 72           | 23.84   | 22.00   | 3.0     |
| 5      | 144          | 47.84   | 46.00   | 3.0     |
| 6      | 72           | 23.84   | 22.00   | 3.5     |
| 7      | 144          | 47.84   | 46.00   | 3.5     |

| NUMBER | DIM "H" |
|--------|---------|
| 1      | 15.05   |
| 2      | 6.05    |
| 3      | 10.05   |

|  |   |   |                 |  |  |   |                             |
|--|---|---|-----------------|--|--|---|-----------------------------|
| SEE SHEET 1<br>EC NO. LDT2000-1073<br>DRWN:JBINGHAM 00/05/08<br>CHK: SREED 00/05/08<br>APPR:CBIXLER 00/05/08 | QUALITY SYMBOLS<br>MAJOR  = 0<br>CRITICAL  = 0  | GENERAL TOLERANCES:<br>(UNLESS SPECIFIED) | SCALE<br>---:-- | DESIGN UNITS<br><input checked="" type="checkbox"/> mm <input type="checkbox"/> INCH | DIMENSIONS:<br><input type="checkbox"/> mm <input type="checkbox"/> INCH <input checked="" type="checkbox"/> mm ONLY | SHT<br>REV  |                             |
|  | DRAWN BY & DATE<br>JBINGHAM 97/04/25  | 4 PLACES ±0.     ±.                       |                 | CHECKED BY & DATE<br>SREED 97/04/25  |  | TITLE: SALES ASSEMBLY<br>HDM BACKPLANE STACKING MODULE<br>OPEN END OPTION SOLDETAIL<br>MOLEX INCORPORATED |                             |
|  | APPROVED BY & DATE<br>CBIXLER 97/04/25  | 3 PLACES ±0.     ±.                       |                 | CAD FILENAME<br>S73781X2.DGN   |  |   |                             |
|  | 2 PLACES ±0,N/A     ±.  | 1 PLACE ±0,N±A     ±.                     |                 | ANGLAR: ±     °  |  | MATERIAL NO.<br>SEE CHART   | DRAWING NO.<br>SD-73781-001 |
| DRAFT WHERE APPLICABLE MUST<br>REMAIN WITHIN DIMENSIONS  | THIS DRAWING CONTAINS INFORMATION THAT IS PROPRIETARY TO MOLEX<br>INCORPORATED AND SHOULD NOT BE USED WITHOUT WRITTEN PERMISSION. |   | SHEET NO.<br>2  |  | SIZE<br>B  |   |                             |