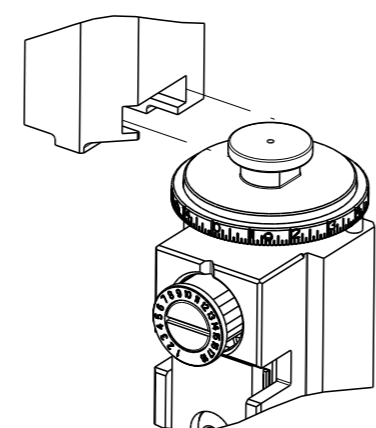


PART NUMBER	REVISION	DESCRIPTION	FEED TYPE
2150543-2	D	FINE CRIMP HEIGHT ADJUST	PNEUMATIC
7-2150543-2	D	PNEUMATIC AND CRIMP TOOLING KIT	PNEUMATIC
7-2150543-7	A	CRIMP TOOLING KIT	-

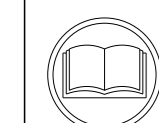
ATLANTIC VERSION TERMINATOR INTERFACE ADAPTER



APPLICATOR DATA		
CRIMP	SIZE	TYPE
WIRE	2.79 mm [.110]	F
INSUL	3.94 mm [.155]	F
APPL INSTRUCTIONS 408-35043		

TERMINAL DATA: TE TERMINAL		TE CRIMP SPECIFICATION	
TERMINAL NAME: RECEPTACLE, CLUSTER PIN, AMPLIVAR			
WIRE STRIP LENGTH		INSULATION DIAMETER RANGE	
7.75-7.78 mm [.305-.306 IN]		Ø1.91-3.18 mm [.075-.125 IN]	
TERMINAL APPLICATION SPECIFICATION	114-2019	-	-
TERMINALS APPLIED			
TE TERMINAL	TE TERMINAL	TE TERMINAL	TE TERMINAL
63454-1	1217174-1	1217174-3	

WIRE SIZE	CRIMP HEIGHT mm [INCH]	CRIMP HEIGHT REFERENCE SETTING
3500-4200 CMA	1.80 +/- 0.05 [.071 +/- .002]	7.5
1500-2300 CMA	1.55 +/- 0.05 [.061 +/- .002]	9.7



- RECOMMENDED SPARE PARTS
- REFER TO SUPPLIED INSTRUCTION SHEET FOR CLEANING, LUBRICATION AND STORAGE OF APPLICATOR.
- APPLY PART NUMBER 2-23419-6 LOCTITE TO THREADS OF ITEM 242.
- CRIMP HEIGHT REFERENCE SETTING WAS THE SETTING USED WHEN THE APPLICATOR WAS QUALIFIED AT THE FACTORY. ADJUSTMENT MAY BE NECESSARY WHEN RUNNING APPLICATOR IN THE FIELD.
- TERMINAL PITCH NOT COMPATIBLE WITH MECHANICAL FEED.
- 6. UNLESS SPECIFIED OTHERWISE TORQUE VALUES SHALL BE USED PER DOCUMENT, 101-35000.
- MINIMUM AND MAXIMUM CRIMP HEIGHTS ARE LISTED ON DRAWING. FOR SPECIFIC WIRE SIZES REFER TO SPECIFICATION 108-2008.

**\*WARNING**  
ON INSTALLATION, SET WIRE DISC TO CRIMP HEIGHT REFERENCE SETTING FOR LARGEST WIRE SIZE. CRIMP HEIGHT REFERENCE SETTINGS GREATER THAN THE VALUE SHOWN MAY CAUSE DAMAGE TO THE CRIMP TOOLING. REFER TO THE INSTRUCTION SHEET FOR PROPER SETUP AND ADJUSTMENTS.

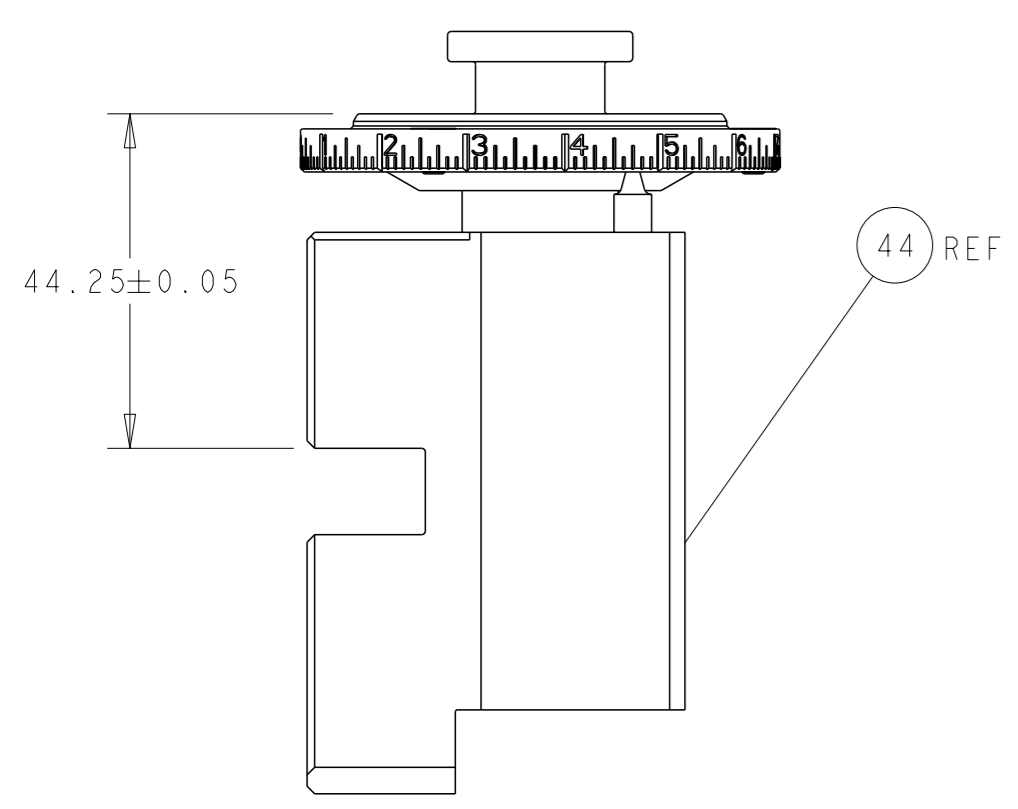
LOC	DIST	REVISIONS			
A	66	REV	DATE	BY	APPV
		A	RELEASED	18MAY2015	KS TE
		B	ECR-18-017013	27OCT2018	TB TE
		C	ECR-18-019470	27DEC2018	FZ KZ
		D	ECR-19-009578	18JUN2019	LG TE

-	1	1	2119641-1	FEED CAM, AIR FEED	248	
-	1	1	2119082-9	CAM, SNAIL, INSULATION ADJUSTMENT	244	
-	1	1	2079764-1	WASHER, WAVE SPRING, CREST-TO-CREST	243	
-	1	1	2119083-1	RETAINER, INSULATION DIAL	242	
-	1	1	2844940-4	AIR FEED MODULE	238	
-	1	1	1-18028-0	WASHER, FLAT, REG M8	192	
-	REF	REF	994970-2	COUNTER, MAGNETIC	164	
-	1	1	455888-5	SPACER, CRIMPER	82	
-	1	1	1803607-4	DOCUMENTATION PACKAGE	71	
-	2	2	2-18032-2	SCR, SET, FLT PNT, M3 X 10.0	70	
-	1	1	2119740-1	TAG, IDENTIFICATION	67	
-	2	2	2168078-1	SCREW, DRIVE, RH, RoHS, 2 x .188	66	
-	2	2	2168400-5	SHCS, LOW HEAD, RoHS, M4 X 20	64	
-	1	1	2168083-2	SCR, SKT HD CAP, RoHS, M4 X 8.0	60	
-	1	1	5-18022-5	SCR, HEX HD CAP, M4 X 6.0	59	
-	3	3	2168400-4	SHCS, LOW HEAD, RoHS, M4 X 8	57	
-	2	2	1-2168083-0	SCR, SKT HD CAP, RoHS, M4 X 10	56	
-	2	2	5018030-1	NUT, HEX, REG, RoHS, M3	54	
-	2	2	986965-8	NUT, LOCK, HEX, TORQUE (M4)	53	
-	1	1	2063961-9	FEED FINGER	51	
-	1	1	18023-9	SCR, SKT HD CAP M4 X 6.0	49	
-	1	1	2119655-5	APPLICATOR BASIC ASSEMBLY, EF	46	
-	1	1	1803517-1	RAM ASSEMBLY, EF ATLANTIC	44	
-	1	1	1803602-1	SCR, BHSC, RoHS (M8 X 25)	41	
-	7	7	1-18028-2	WASHER, FLAT, REG M4	33	
-	2	2	2168083-9	SCR, SKT HD CAP, RoHS, M4 X 20	31	
-	2	2	2168083-2	SCR, SKT HD CAP, RoHS, M4 X 8.0	29	
-	1	1	240639-3	STRIPPER (MACHINING)	27	
-	2	2	1-2168083-5	SCR, SKT HD CAP, RoHS, M4 X 30	25	
-	1	1	1752371-5	PLATE, STRIP GUIDE	24	
-	1	1	240825-1	PLATE, STRIP HOLD DOWN	23	
-	2	2	2-22281-3	SPRING, COMPRESSION	22	
-	1	1	1803292-4	DRAG	20	
-	2	2	1901259-7	GUIDE, LOWER STRIP	18	
-	4	4	1-2079383-1	SCR, BHSC, RoHS (M6 X 12)	17	
-	1	1	240644-1	PLATE, REAR SHEAR	11	
-	-	-	-	-	10	
-	1	1	690482-5	PLATE, FRONT SHEAR	9	
-	1	2	819517-4	ANVIL, COMBINATION	8	
-	1	1	4-690474-2	BLADE, SLUG	7	
-	1	1	217573-1	TOOL, SIZING	6	
-	1	1	4-240641-2	SPACER	5	
-	1	1	238011-2	BLOCK, CRIMPER SPACER	4	
-	1	2	3-2119582-6	CRIMPER, INSULATION F PREMIUM	3	
-	1	1	455888-5	SPACER, CRIMPER	2	
-	1	2	819516-2	CRIMPER, WIRE	1	
-	77	72	2	PART NO	DESCRIPTION	ITEM NO

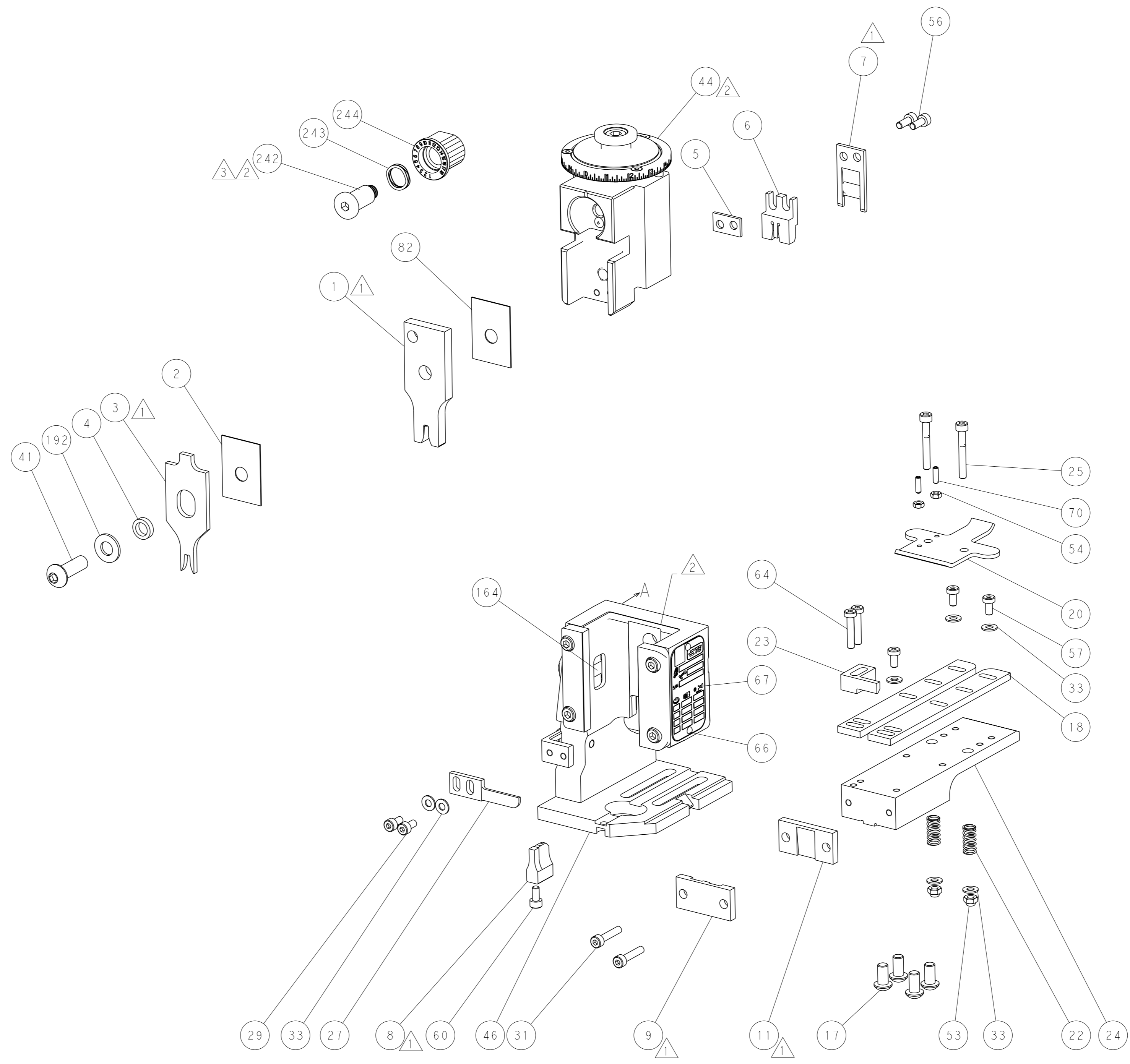
ATLANTIC VERSION  
Shown on sheets 1 of 4 & 2 of 4  
(Pacific version shown on sheets 3 of 4 & 4 of 4)

DIMENSIONS:		TOLERANCES UNLESS OTHERWISE SPECIFIED:		OWN: K. STAKEM APRIL2015		TE Connectivity Harrisburg, PA 17105-3608	
mm		0 PLC ±		CHK: G. BAILEY APRIL2015		NAME: Ocean End Feed Applicator	
		1 PLC ±		APPV: J. ELBIN APRIL2015		SIZE: A1	
		2 PLC ±		PRODUCT SPEC		CAGE CODE: 00779	
		3 PLC ±		APPLICATION SPEC		DRAWING NO: 2150543	
		4 PLC ±		WEIGHT		RESTRICTED TO: -	
MATERIAL		FINISH		SCALE: 1:1		SHEET 1 OF 4	
				Customer Accessible Production Drawing		REV D	

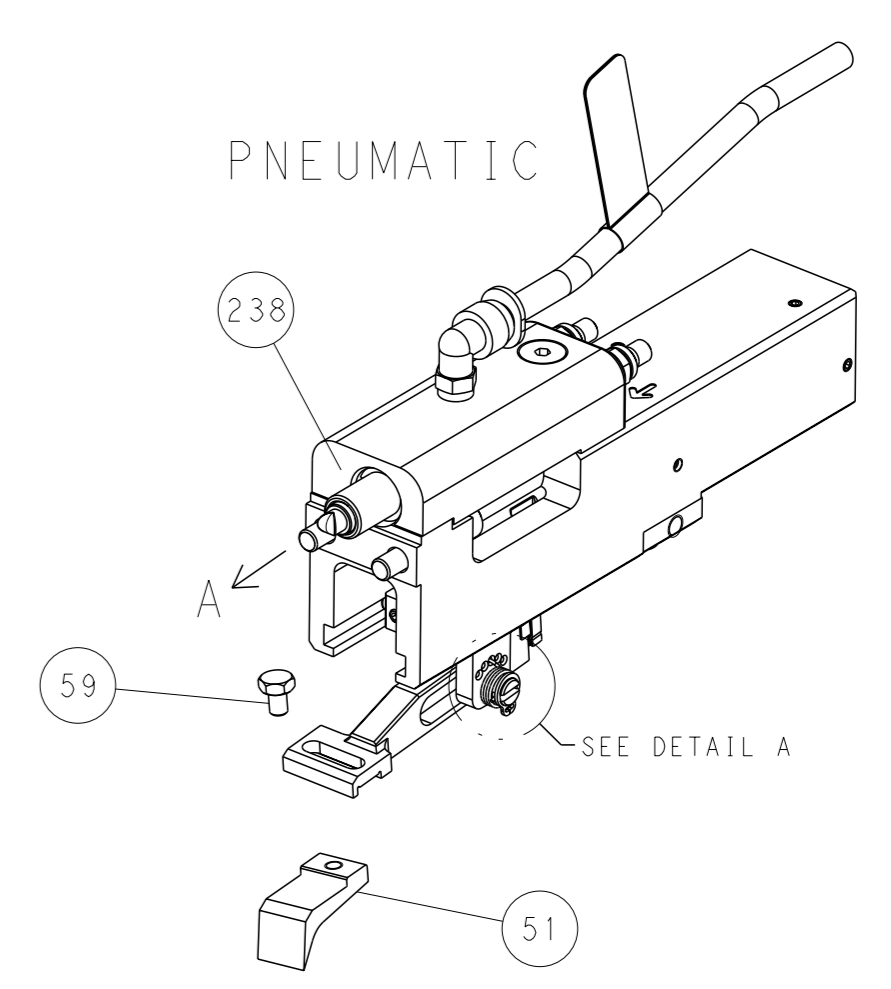
LOC	DIST	REVISIONS					
A	66	P	LYR	DESCRIPTION	DATE	OWN	APVD
		-		SEE SHEET 1	-	-	-



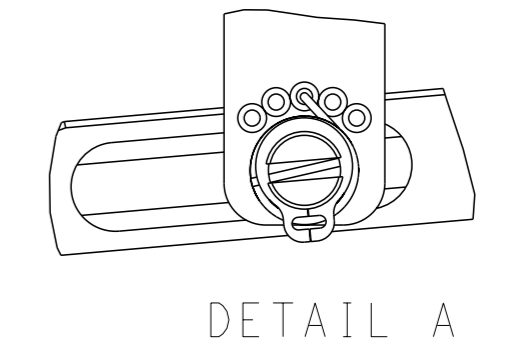
RAM SET-UP



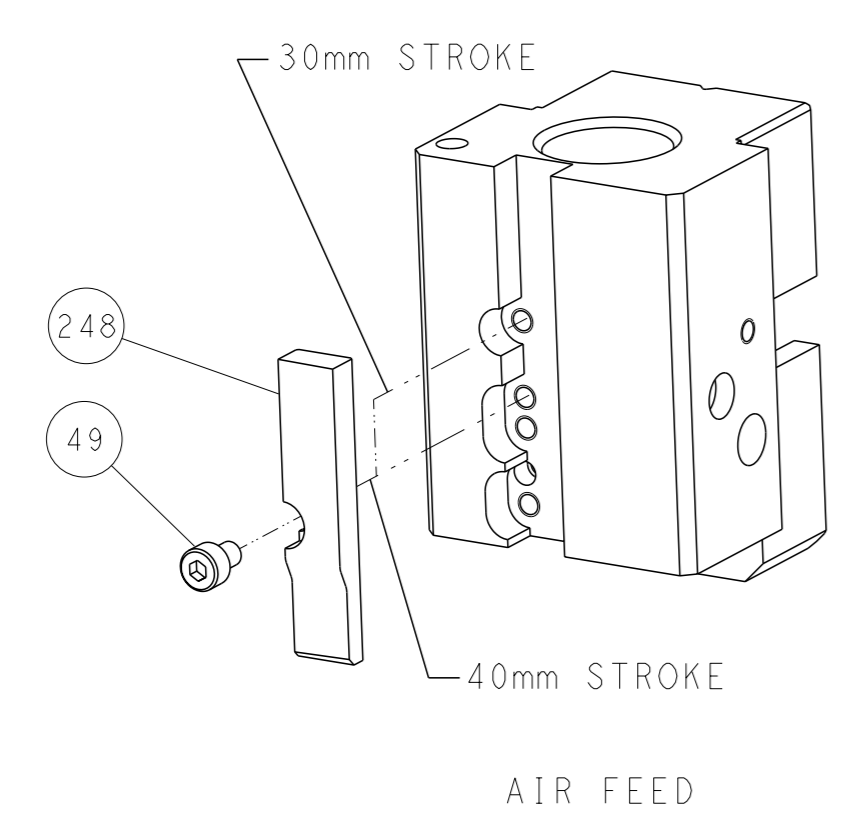
FEED TYPE



FEED SPRING SETTING POSITION



CAM POSITION

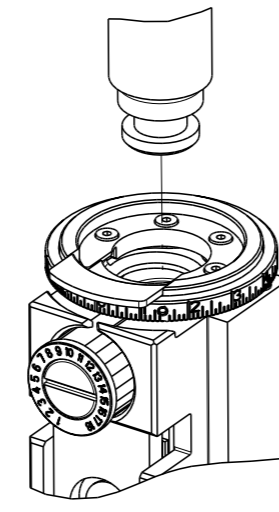


ATLANTIC VERSION  
 Shown on sheets 1 of 4 & 2 of 4  
 (Pacific version shown on sheets 3 of 4 & 4 of 4)

<small>THIS DRAWING IS A CONTROLLED DOCUMENT FOR TYCO ELECTRONICS CORPORATION. IT IS SUBJECT TO CHANGE AND TO CONTROL AND ENGINEERING DISCRETION SHOULD BE CONTACTED FOR THE LATEST REVISION.</small>		OWN: K. STAKEM CHK: G. BAILEY APVD: T. ELBIN	DATE: 04/2015 DATE: 04/2015 DATE: 04/2015	TE Connectivity Harrisburg, PA 17105-3608
DIMENSIONS: mm TOLERANCES UNLESS OTHERWISE SPECIFIED: 0 PLC ± 1 PLC ± 2 PLC ± 3 PLC ± 4 PLC ± ANGLES FINISH ±		NAME: Ocean End Feed Applicator SIZE: A1 CAGE CODE: 00779 DRAWING NO: C=2150543	RESTRICTED TO: - SCALE: 1:1 SHEET: 2 of 4 REV: D	CUSTOMER ACCESSIBLE PRODUCTION DRAWING

THIS DRAWING IS UNPUBLISHED.	RELEASED FOR PUBLICATION		
© COPYRIGHT 20 BY TYCO ELECTRONICS CORPORATION. ALL RIGHTS RESERVED.	20		
PART NUMBER	REVISION	DESCRIPTION	FEED TYPE
2-2150543-2	D	FINE CRIMP HEIGHT ADJUST	PNEUMATIC
7-2150543-7	A	CRIMP TOOLING KIT	-

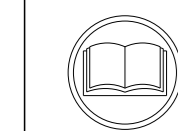
PACIFIC VERSION TERMINATOR  
INTERFACE ADAPTER



APPLICATOR DATA		
CRIMP	SIZE	TYPE
WIRE	2.79 mm [.110]	F
INSUL	3.94 mm [.155]	F
APPL INSTRUCTIONS 408-35043		

TERMINAL DATA: TE TERMINAL		TE CRIMP SPECIFICATION	
TERMINAL NAME: RECEPTACLE, CLUSTER PIN, AMPLIVAR			
WIRE STRIP LENGTH 7.75-7.78 mm [.305-.306 IN]		INSULATION DIAMETER RANGE Ø1.91-3.18 mm [.075-.125 IN]	
TERMINAL APPLICATION SPECIFICATION	114-2019	-	-
TERMINALS APPLIED			
TE TERMINAL	TE TERMINAL	TE TERMINAL	TE TERMINAL
63454-1	1217174-1	1217174-3	

WIRE SIZE	CRIMP HEIGHT mm [INCH]	CRIMP HEIGHT REFERENCE SETTING
3500-4200 CMA	1.80+/-0.05 [.071+/-0.002]	7.5
1500-2300 CMA	1.55+/-0.05 [.061+/-0.002]	9.7



- RECOMMENDED SPARE PARTS
- REFER TO SUPPLIED INSTRUCTION SHEET FOR CLEANING, LUBRICATION AND STORAGE OF APPLICATOR.
- APPLY PART NUMBER 2-23419-6 LOCTITE TO THREADS OF ITEM 242.
- CRIMP HEIGHT REFERENCE SETTING WAS THE SETTING USED WHEN THE APPLICATOR WAS QUALIFIED AT THE FACTORY. ADJUSTMENT MAY BE NECESSARY WHEN RUNNING APPLICATOR IN THE FIELD.
- TERMINAL PITCH NOT COMPATIBLE WITH MECHANICAL FEED.
- UNLESS SPECIFIED OTHERWISE TORQUE VALUES SHALL BE USED PER DOCUMENT, 101-35000.
- MINIMUM AND MAXIMUM CRIMP HEIGHTS ARE LISTED ON DRAWING. FOR SPECIFIC WIRE SIZES REFER TO SPECIFICATION 108-2008.

**\*WARNING**  
ON INSTALLATION, SET WIRE DISC TO CRIMP HEIGHT REFERENCE SETTING FOR LARGEST WIRE SIZE. CRIMP HEIGHT REFERENCE SETTINGS GREATER THAN THE VALUE SHOWN MAY CAUSE DAMAGE TO THE CRIMP TOOLING. REFER TO THE INSTRUCTION SHEET FOR PROPER SETUP AND ADJUSTMENTS.

LOC	DIST	REVISIONS					
A	66	P	LYR	DESCRIPTION	DATE	OWN	APVD
		-		SEE SHEET 1	-	-	-

-	1	2119082-9	CAM, SNAIL, INSULATION ADJUSTMENT	244
-	1	2079764-1	WASHER, WAVE SPRING, CREST-TO-CREST	243
-	1	2119083-1	RETAINER, INSULATION DIAL	242
-	1	2844940-4	AIR FEED MODULE	238
-	1	1-18028-0	WASHER, FLAT, REG M8	192
-	4	2079383-9	SCR, BHSC, RoHS (M6 X 20)	186
-	REF	994970-2	COUNTER, MAGNETIC	164
-	1	2119641-2	FEED CAM, AIR FEED	152
-	1	2168083-8	SCR, SKT HD CAP, RoHS, M4 X 16	144
-	1	2119655-6	APPLICATOR BASIC ASSEMBLY, EF	141
-	1	1803518-1	RAM ASSEMBLY, EF PACIFIC	140
-	1	455888-5	SPACER, CRIMPER	82
-	1	1803607-4	DOCUMENTATION PACKAGE	71
-	2	2-18032-2	SCR, SET, FLT PNT, M3 X 10.0	70
-	1	2119740-1	TAG, IDENTIFICATION	67
-	2	2168078-1	SCREW, DRIVE, RH, RoHS, 2 x .188	66
-	2	2168400-5	SHCS, LOW HEAD, RoHS, M4 X 20	64
-	1	5-18022-5	SCR, HEX HD CAP, M4 X 6.0	59
-	3	2168400-4	SHCS, LOW HEAD, RoHS, M4 X 8	57
-	2	1-2168083-0	SCR, SKT HD CAP, RoHS, M4 X 10	56
-	2	5018030-1	NUT, HEX, REG, RoHS, M3	54
-	2	986965-8	NUT, LOCK, HEX, TORQUE (M4)	53
-	1	2063961-9	FEED FINGER	51
-	1	18023-9	SCR, SKT HD CAP M4 X 6.0	49
-	1	1803602-1	SCR, BHSC, RoHS (M8 X 25)	41
-	7	1-18028-2	WASHER, FLAT, REG M4	33
-	2	2168083-9	SCR, SKT HD CAP, RoHS, M4 X 20	31
-	2	2168083-2	SCR, SKT HD CAP, RoHS, M4 X 8.0	29
-	1	240639-3	STRIPPER (MACHINING)	27
-	2	1-2168083-5	SCR, SKT HD CAP, RoHS, M4 X 30	25
-	1	1752371-5	PLATE, STRIP GUIDE	24
-	1	240825-1	PLATE, STRIP HOLD DOWN	23
-	2	2-22281-3	SPRING, COMPRESSION	22
-	1	1803292-4	DRAG	20
-	2	1901259-7	GUIDE, LOWER STRIP	18
-	1	240644-1	PLATE, REAR SHEAR	11
-	-	-	-	10
-	1	690482-5	PLATE, FRONT SHEAR	9
1	1	819517-4	ANVIL, COMBINATION	8
-	1	4-690474-2	BLADE, SLUG	7
-	1	217573-1	TOOL, SIZING	6
-	1	4-240641-2	SPACER	5
-	1	238011-2	BLOCK, CRIMPER SPACER	4
1	1	3-2119582-6	CRIMPER, INSULATION F PREMIUM	3
-	1	455888-5	SPACER, CRIMPER	2
1	1	819516-2	CRIMPER, WIRE	1
-	77-22	PART NO	DESCRIPTION	ITEM NO

PACIFIC VERSION  
Shown on sheets 3 of 4 & 4 of 4  
(Atlantic version shown on sheets 1 of 4 & 2 of 4)

<small>THE DRAWING IS UNPUBLISHED. IT IS SUBJECT TO CHANGE AND THE CUSTOMER MUST CONTACT THE DESIGNATION SHOULD BE CONTACTED FOR THE LATEST REVISION.</small>		OWN: K. STAKEM CHK: G. BAILEY APVD: T. ELBIN	DATE: 04/12/2015 DATE: 04/12/2015 DATE: 04/12/2015	NAME: TE Connectivity Harrisburg, PA 17105-3608
DIMENSIONS: mm 0 PLC ± 1 PLC ± 2 PLC ± 3 PLC ± 4 PLC ± ANGLES FINISH ±		PRODUCT SPEC APPLICATION SPEC SIZE: A1 CAGE CODE: 00779 DRAWING NO: ©=2150543 SCALE: 1:1 SHEET: 3 of 4 REV: D		
MATERIAL:		WEIGHT:		RESTRICTED TO:

